

Geopress K gas

Submittal Package



Index

1	Product group description	3
2	Z-dimensions	5
3	Imprint	10

Product group description

Suitable for underground, municipal supply lines. Press connector system made of fibre-glass reinforced polyamide. Permitted types of pipe PE 80/100/100-RC. Support sleeve function integrated into the press connector.

Tapping valves

For connecting the house service connection to unpressurised and pressurised supply lines. Permitted pipe types PE80, PE100 HDPE and PE100 HSCR.

Gas flow monitors

Optionally integrated into a coupling or into a support sleeve for connecting pieces of the tapping valve.

Labeling

Manufacturer, Pipe dimension, Batch, Yellow dot on press end when used for gas, Traceability-Code for component tracing

Press connector with Smart Connect Feature

Inadvertently unpressed connections become visibly leaky when the system is filled.

Viega guarantees the detection of unpressed connections in the following pressure ranges:

min. water pressure: 0.1 MPa / 100 kPa / 1 bar / 14.5 PSI

max. water pressure: 0.65 MPa / 650 kPa / 6.5 bar / 94.3 PSI

min. air pressure: 22 hPa / 2.2 kPa / 22 mbar / 0.3 PSI

max. air pressure: 0.3 MPa / 300 kPa / 3 bar / 43.5 PSI

Dimensions

d32–63, Tapping valves: d63–200

Tools

The functional safety of Viega press connector systems depends primarily on the faultless condition of the press tools used. Viega recommends the use of Viega press tools for pressing Viega press connectors.

Areas of application

Gas

Liquid gas in the gas phase

Hydrogen

Note

Use of the system for areas of application and media other than those described must be agreed in consultation with Viega. Detailed information concerning applications, limitations and national codes and standards can be found in the product documentation, either printed or on the Viega website.

Note – Standards and approvals

Permitted pipe types for gas supply lines and tapping valves: PE 80/100/100-RC in accordance with DIN 8074, DIN 8075, DIN EN 1555, GW 335-A2. Permitted pipe types for gas tapping valves: PE-HD in accordance with DIN 8074, DIN 8075, DIN EN 12201, DIN EN 1555, GW 335-A2.

Operating conditions gas installations

operating pressure max. 1.0 MPa / 10 bar / 145 PSI

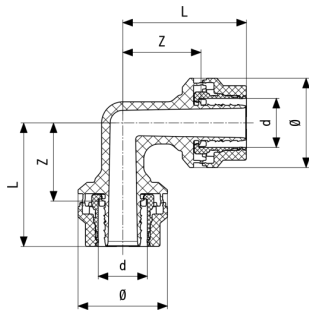
The maximum operating pressure and the maximum temperature depend on the type of pipe used and the specific application and have to be tested in particular cases.

Materials press connector

Fibre-glass reinforced polyamide GF-PA / POM / CuSi4Zn9MnP

This product description contains important information on choice of product and system, mounting, commissioning as well as intended use and, if required, on maintenance measures. This information on products, their features and application techniques is based on currently valid standards in Europe (e.g. EN) and/or in Germany (e.g. DIN/DVGW). Some passages in the text may refer to technical regulations in Europe/Germany. These should be considered as recommendations for other countries where no corresponding national requirements exist. The relevant national laws, standards, regulations, directives and other technical provisions take priority over the German/European directives specified in this product description: The information herein is not binding for other countries and regions and should be understood as recommendation.

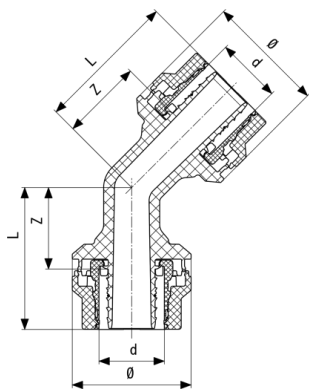
Z-dimensions



Geopress K gas elbow 90°
- Plastic
Model 9716G

Article	d	Z	L	Ø
822 033	32	53	83	60
822 040	40	60	97	70
822 057	50	74	120	87
822 064	63	76	121	97

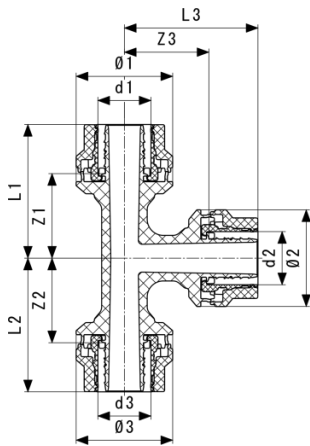
Ø = diameter



Geopress K gas
- Plastic
Model 9726G

Article	d	Z	L	Ø
821 661	32	41	72	60
821 678	40	46	83	70
821 685	50	56	102	87
821 692	63	57	102	97

Ø = diameter

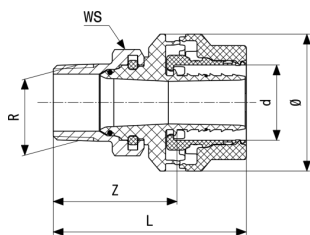


Geopress K gas T-piece
- Plastic
Model 9718G

Article	d1	d2	d3	Z1	Z2	Z3	L1	L2	L3	Ø1
822 767	32	32	32	53	53	53	83	83	83	60
822 774	40	40	40	60	60	60	97	97	97	70
822 781	50	50	50	74	74	74	120	120	120	87
822 798	63	63	63	76	76	76	122	122	122	97

Article	d1	d2	d3	Ø2	Ø3
822 767	32	32	32	60	60
822 774	40	40	40	70	70
822 781	50	50	50	87	87
822 798	63	63	63	97	97

Ø = diameter

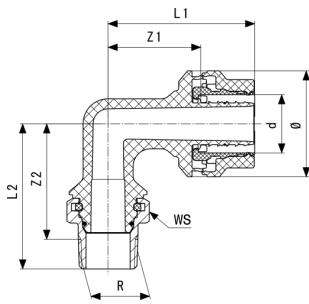


Geopress K gas adapter
- Plastic
Model 9711G

Article	d	R	Z	L	WS	Ø
821 852	32	1	55	85	44	60
821 869	40	1¼	57	94	50	70
821 876	50	1½	61	107	62	87
821 883	63	2	72	118	72	97

WS = wrench size

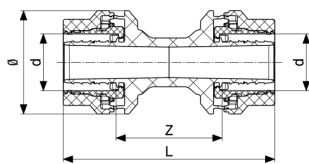
Ø = diameter



Geopress K gas adapter elbow 90°
- Plastic
Model 9714G

Article	d	R	Z1	Z2	L1	L2	WS	Ø
822 330	32	1	53	65	83	82	44	60
822 347	40	1¼	60	72	97	91	50	70
822 354	50	1½	74	85	120	104		87
822 361	63	2	76	95	122	118	72	97

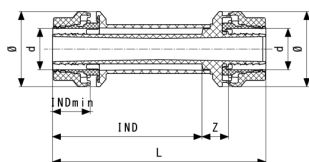
WS = wrench size
Ø = diameter



Geopress K gas coupling
- Plastic
Model 9715G

Article	d	Z	L	Ø
821 944	32	62	123	60
821 951	40	75	148	70
821 968	50	82	174	87
821 975	63	81	173	97

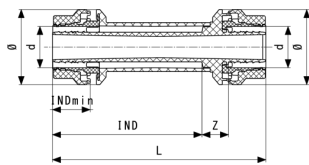
Ø = diameter



Geopress K gas repair coupling
- Plastic
Model 9715.5G

Article	d	Z	INDmin	IND	L	Ø
821 517	32	22	30	119	171	60
821 524	40	23	35	133	191	70
821 531	50	27	45	140	212	87

INDmin = insertion depth minimum
IND = insertion depth
Ø = diameter



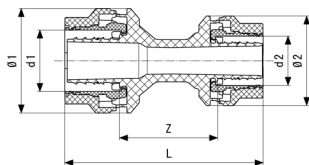
Geopress K gas repair coupling
- Plastic
Model 9715.5G

Article	d	Z	INDmin	IND	L	Ø
821 548	63	35	45	139	219	97

INDmin = insertion depth minimum

IND = insertion depth

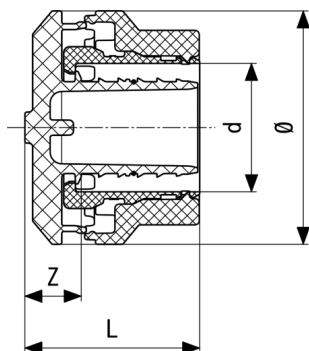
Ø = diameter



Geopress K gas reducing coupling
- Plastic
Model 9715.2G

Article	d1	d2	Z	L	Ø1	Ø2
822 545	40	32	66	133	70	60
822 552	50	32	74	151	87	60
822 569	50	40	84	166	87	70
822 576	63	32	79	156	97	60
822 583	63	50	86	178	97	87

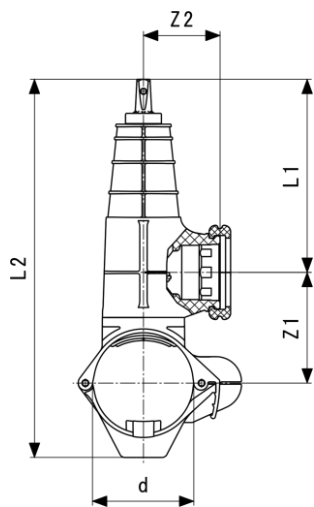
Ø = diameter



Geopress K gas cap
- Plastic
Model 9756G

Article	d	Z	L	Ø
822 125	32	15	45	60
822 132	40	16	52	70
822 149	50	18	63	87
822 156	63	17	63	97

Ø = diameter



**Geopress G tapping valve
Model 9690G**

Article	for d	Z1	Z2	L1	L2
772 529	63	87	70	177	317
772 536	90	102	70	177	346
772 543	110	110	70	177	365
772 550	125	118	70	177	382
772 567	140	127	70	177	399
772 574	160	137	70	177	417
772 581	180	148	70	177	440
772 598	200	157	70	177	459

Imprint

Viega GmbH & Co. KG

Viega Platz 1

57439 Attendorn

Germany

Phone: +49/2722/61-0

Fax: +49/2722/61-1566

The Viega GmbH & Co. KG is represented by the general partners: Viega Management B.V. (Managing directors: Michael Klenz, Sebastian Leigemann) and Viega Management GmbH (Managing directors: Michael Klenz, Sebastian Leigemann)

The Submittal Package contains non-binding information that is being provided to you. All contents in the Submittal Package have been compiled with the greatest possible care and attention. Despite this, we are unable to guarantee that the information is up to date, accurate and complete. Placing an order does not automatically render the Submittal Package part of the contract.