

Sanpress Inox

Submittal Package



Index

1	Product group description	3
2	Certification	5
3	Z-dimensions	11
4	Imprint	39

Product group description

Flow-optimised press connector system with press connectors made of stainless steel 1.4401 and pipes from stainless steel 1.4401 and 1.4521. Press connector for protecting the sealing element equipped with cylindrical pipe guide. Press connector from d64.0 with stainless steel compression ring to ensure the mechanical strength of the connection. Pipes equipped with protective pipe plug. The pressing force is located before and behind the sealing element seat. Suitable for concealed and pre-wall installations of manifold and riser pipes.

Labeling

Manufacturer, Pipe dimension, Batch, Green dot on press end, Yellow pipe plug with 1.4401, Green pipe plug with 1.4521, Detachable orange label as press indicator from d64.0

Inadvertently unpressed connections become visibly leaky when the system is filled.

Viega guarantees the detection of unpressed connections in the following pressure ranges:

min. water pressure: 0.1 MPa / 100 kPa / 1 bar / 14.5 PSI

max. water pressure: 0.65 MPa / 650 kPa / 6.5 bar / 94.3 PSI

min. air pressure: 22 hPa / 2.2 kPa / 22 mbar / 0.3 PSI

max. air pressure: 0.3 MPa / 300 kPa / 3 bar / 43.5 PSI

Sealing elements for press connection

EPDM (ethylene propylene diene rubber), black, pre-assembled

Dimension

d15–108.0

Tools

The functional safety of Viega press connector systems depends primarily on the faultless condition of the press tools used. Viega recommends the use of Viega press tools for pressing Viega press connectors. Viega press tools have to be regularly maintained by authorised service partners.

Areas of application

Potable water

Heating/radiator connection

Rainwater

Compressed air systems

Agriculture

Industrial uses

Note

The press connector system Sanpress Inox is suitable for the creation of potable water installations according to DIN 1988-200 and EN 806-2 in consideration of the selection of material in accordance with DIN EN 12502-1 and according to the evaluation basis for metallic materials in contact with potable water of the Umweltbundesamt (UBA) (Federal Environment Agency). When used for other areas of use and when in doubt about the right selection of material, please contact Viega. When used for other areas of use and when in doubt about the right selection of material, please contact Viega. The system components should be protected against high concentrations of chloride generated by both the medium and by external factors. Detailed information concerning applications, limitations and national codes and standards can be found in the product documentation, either printed or on the Viega website.

Note – Standards and approvals

Press connector system with press connectors and pipes in accordance with DIN EN 10088 and AS 5200.053.

Australian watermark approval No.WMKA21120.

Special applications

Shipbuilding

Fire extinguishing systems

Operating conditions potable water installations

operating temperature max. 85 °C / 185 °F

operating pressure max. 1.6 MPa / 16 bar / 232 PSI

Operating conditions heating installations

operating temperature max. 110 °C / 230 °F

operating pressure max. 1.6 MPa / 16 bar / 232 PSI

Irrelevant of the direction of flow, mixed installations are permitted.

Materials press connector

Stainless steel 1.4401










Changes and errors excepted.








Latest Z- and installation dimensions as well as further technical information can be found on the Viega website and have to be checked before purchase, planning, construction work and use. Our products are continuously optimized.











Warranty








Viega Sanpress Inox carry a 25 year warranty against defects in material and workmanship.










Certification





Dubai	Dubai Central Laboratory Department Attestation of Conformity Sanpress pipe 1.4521 and 1.4401
Dubai	Dubai Central Laboratory Department Attestation of Conformity Sanpress Inox fittings
	ÖVGW certificate Sanpress / Profipress
	ÖVGW certificate Sanpress Inox (d 15 - 108)
	ÜA sign Raxinox pipes
	ÜA sign Sanpress, Raxofix, Maxiplex, bronze threaded fittings, solder fittings
	ÜA sign Sanpress Inox fittings, Raxinox fittings
	SAI Watermark Certificate of Conformity - Level 1 Propress Water, Sanpress and Sanpress Inox
	SAI Watermark Certificate of Conformity 316 Inox Tube
	SAI Certificate of Conformity 372:2020
	BCCA Certificate ATG Profipress, Sanpress, Sanpress Inox

	<p>CCS Certificate of Type Approval Sanpress Inox, Seapress, Profipress</p>
<p>SZU</p>	<p>SZU Certificate Sanpress Inox, Sanpress Inox LF</p>
<p>SZU</p>	<p>SZU Buildig Technical Certificate. Sanpress Inox, Sanpress Inox LF</p>
<p>AMTEC</p>	<p>AMTEC Certificate Profipress, Sanpress, Sanpress Inox, Prestabo, Megapress, Profipress G, Sanpress Inox G, Megapress G</p>
<p>DEKRA</p>	<p>examination certificate Piping system Sanpress/Sanpress XL</p>
<p>DEKRA</p>	<p>examination certificate Rohrleitungssystem SP Inox / Inox XL</p>
	<p>DVGW type examination certificate Sanpress-pipe 1.4521 (d 12 - 108)</p>
	<p>DVGW type examination certificate Sanpress with pipe 1.4401 (d 12 - 108)</p>
	<p>DVGW type examination certificate Sanpress with pipe 1.4521 (d 12 - 108)</p>
	<p>DVGW type examination certificate Sanpress pipe 1.4401 (d 12 - 108)</p>
	<p>DVGW type examination certificate Sanpress Inox with pipe 1.4401 (d 15 - 108)</p>
	<p>DVGW type examination certificate Sanpress Inox with pipe 1.4521 (d 15 - 108)</p>

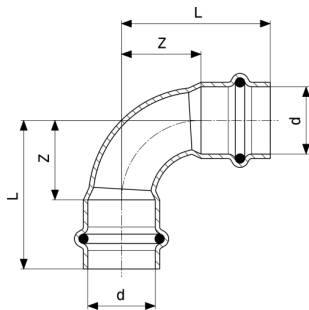
	<p>TÜV Association Certificate Profipress, Sanpress, Sanpress Inox, Prestabo (d 15 - 108), Temponox</p>
	<p>VdS certificate Sanpress Inox with pipe 1.4401 and 1.4521 (d 15 - 108)</p>
	<p>ETA Certificate Profipress, Profipress XL, Sanpress, Sanpress XL</p>
	<p>ETA Certificate Sanpress with pipe 1.4401 and 1.4521, (d 12-108)</p>
	<p>Eurofins Certificate Profipress (d 12-54)</p>
	<p>CSTB Certificate Profipress, Sanpress</p>
	<p>CSTB QB Certificate Profipress, Sanpress</p>
	<p>CSTB QB Certificate Profipress, Sanpress</p>
	<p>CSTB Certificate Sanpress Inox with pipe 1.4401 and 1.4521, (d 15-108)</p>
	<p>CSTB QB Certificate Sanpress Inox with pipe 1.4401 et 1.4521</p>
Eurofins	<p>Eurofins Certificate of sanitary conformity Sanpress</p>

Eurofins	Eurofins Certificate of sanitary conformity Sanpress Inox
BSI	BSI Kitemark Certificate (BS EN 1254-7) Profipress, Profipress G
BSI	BSI Kitemark Certificate Sanpress Inox, Sanpress Inox G
	Lloyd's Register Type Approval Certificate Sanpress
	Lloyd's Register Type Approval Certificate Sanpress Inox, ProPress 304 FKM, ProPress 316
EMI	EMI certificate Profipress, Sanpress, Easytop, Sanpress Inox, Pexfit Pro Fosta, Smartpress, gunmetal threaded fittings
EMI	EMI Certificate of Constancy of Performance Sanpress Inox
	IAPMO UPC-I Certificate of Listing Sanpress Inox
	IAPMO UMC- I Certificate of Listing Sanpress Inox
	IRS Type Approval Certificate Seapress, Sanpress, Sanpress Inox, Profipress
	ICIM Hygiene certificate Profipress, Profipress XL, Sanpress Inox, Sanpress Inox XL, Sanpress, Sanpress XL, Sanfix Fosta, Raxofix, Smartpress, gunmetal threaded fittings, soldered fittings
	RINA Type Approval Certificate Sanpress Inox / Sanpress Inox XL

	<p>Class NK Type Approval Certificate Seapress, Seapress XL, Profipress and Sanpress Inox</p>
	<p>KIWA Product certificate Sanpress Inox pipe 1.4521 and 1.4401</p>
	<p>KIWA Product certificate Profipress, Sanpress fittings</p>
	<p>KIWA Product certificate Sanpress Inox fittings</p>
<p>SINTEF</p>	<p>SINTEF Certificate Profipress, Profipress XL</p>
<p>SINTEF</p>	<p>SINTEF Certificate Sanpress with pipe 1.4401 and 1.4521 (d 12-108)</p>
<p>SINTEF</p>	<p>SINTEF Certificate Sanpress Inox med rustfrie stalror 1.4401 og 1.4521 (d 15-108)</p>
	<p>ITB National Technical Assessment Profipress, Profipress XL, Profipress S</p>
	<p>ITB National Technical Assessment Profipress, Sanpress</p>
	<p>ITB Certificate of Constancy of Performance Profipress, Sanpress</p>
	<p>ITB National Technical Assessment Sanpress Inox</p>
	<p>ITB Certificate of Constancy of Performance Sanpress Inox</p>

EITS	EITS Technical Approval Profipress
EITS	EITS Technical Approval Sanpress, Sanpress Inox
	RM Type Approval Certificate Sanpress Inox and Sanpress Inox XL
	RISE Certificate Sanpress och Sanpress XL fittings
	SGBC Certificate Profipress
IZV	IZV Certificate Sanpress Inox, Sanpress Inox XL
UKRCERTIFICATION	LLC UKRCertification Certificate of conformity Profipress
UKRCERTIFICATION	LLC UKRCertification Certificate of conformity Sanpress,Sanpress Inox
	ABS Approval Certificate Viega Imperial CTS system ProPress 316, ProPress 304 FKM and Viega Metric CTS system Sanpress Inox and Sanpress Inox XL

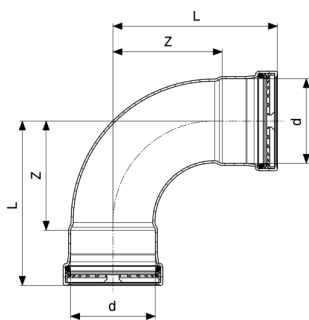
Z-dimensions



Sanpress Inox elbow 90°
- Stainless steel
Model 2316

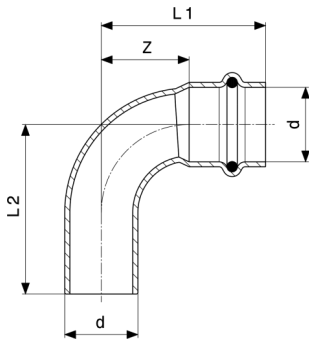
Article	d	Z	L	Z*	L*
435 639	15	16	38	26	48
435 646	18	18	40	36	58
435 653	22	26	49	44	67
435 660	28	34	58	48	72
435 677	35	33	59	60	86
435 684	42	50	87	71	107
435 691	54	65	105	92	132

Z* = Z-dimension of the previous version
L* = length of the previous version



Sanpress Inox XL elbow 90°
- Stainless steel
Model 2316XL

Article	d	Z	L
577 988	64	84	127
482 596	76.1	99	149
482 602	88.9	115	165
482 619	108	138	198


Sanpress Inox elbow 90°

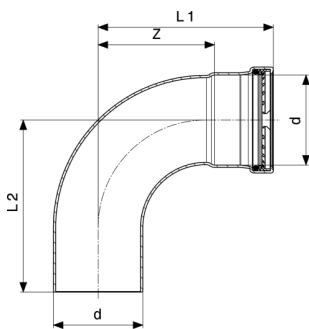
- Stainless steel

Model 2316.1

Article	d	Z	L1	L2	Z*	L1*	L2*
435 707	15	16	38	40	26	48	53
435 714	18	18	40	41	30	52	63
435 721	22	26	49	50	37	60	77
435 738	28	34	58	59	48	72	82
435 745	35	33	59	62	60	86	96
435 752	42	50	87	88	71	107	117
435 769	54	65	105	107	92	132	142

Z* = Z-dimension of the previous version

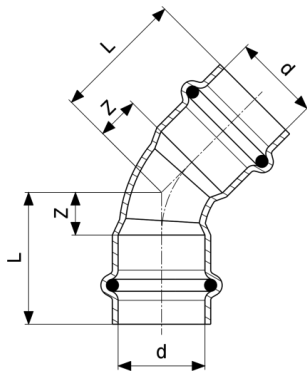
L* = length of the previous version


Sanpress Inox XL elbow 90°

- Stainless steel

Model 2316.1XL

Article	d	Z	L1	L2
577 995	64	84	127	126
482 626	76.1	99	149	147
482 633	88.9	115	165	162
482 640	108	138	198	195



Sanpress Inox elbow 45°

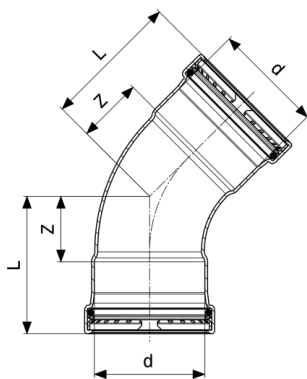
- Stainless steel

Model 2326

Article	d	Z	L	Z*	L*
435 776	15	7	29	13	35
435 783	18	7	29	18	40
435 790	22	11	34	22	45
435 806	28	14	38	21	45
435 813	35	15	41	28	54
435 363	42	21	57	33	69
435 370	54	27	67	44	84

Z* = Z-dimension of the previous version

L* = length of the previous version

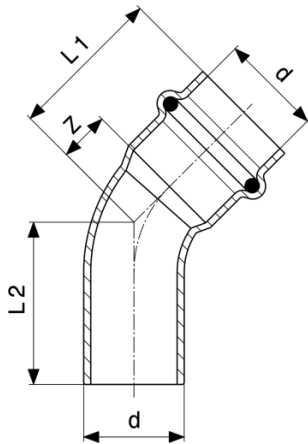


Sanpress Inox XL elbow 45°

- Stainless steel

Model 2326XL

Article	d	Z	L
578 008	64	39	82
482 657	76.1	46	96
482 664	88.9	52	102
482 671	108	61	121

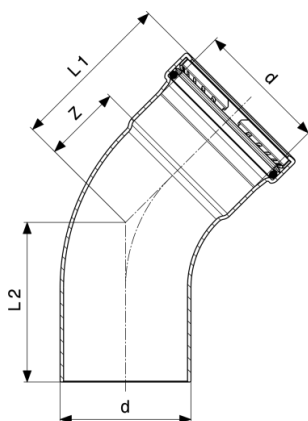


Sanpress Inox elbow 45°
 - Stainless steel
Model 2326.1

Article	d	Z	L1	L2	Z*	L1*	L2*
435 387	15	7	29	29	13	35	39
435 394	18	7	29	31	15	37	47
435 400	22	11	34	35	17	40	58
435 417	28	14	38	39	21	45	55
435 424	35	15	41	42	28	54	64
435 431	42	21	57	59	33	69	79
435 448	54	27	67	69	44	84	94

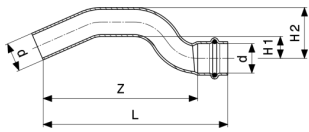
Z* = Z-dimension of the previous version

L* = length of the previous version



Sanpress Inox XL elbow 45°
 - Stainless steel
Model 2326.1XL

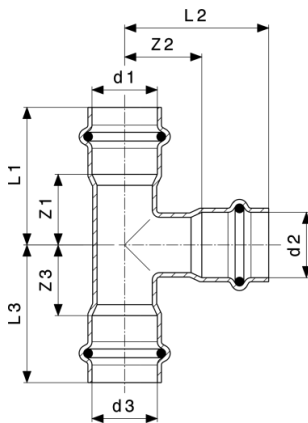
Article	d	Z	L1	L2
578 015	64	39	82	82
482 688	76.1	46	96	93
482 695	88.9	52	102	99
482 701	108	61	121	119



Sanpress Inox crossover
- Stainless steel
Model 2327

Article	VdS	d	Z	L	H1	H2
452 926		15	97	119	13	28
452 933		18	103	125	13	31
452 940	✓	22	123	146	15	37

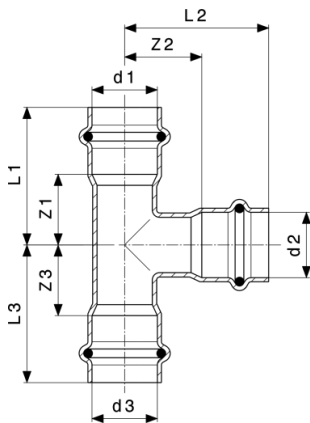
VdS = VdS certification



Sanpress Inox T-piece
- Stainless steel
Model 2318

Article	d1	Z1	Z2	Z3	L1	L2	L3
435 851	15	19	22	19	41	44	41
452 469¹	18	32	22	19	54	44	41
435 929¹	18	21	23	21	43	45	43
435 868	18	21	23	21	43	45	43
435 936	22	22	25	22	45	47	45
435 943¹	22	22	25	22	45	47	45
435 875	22	24	27	24	47	50	47
435 950	28	21	29	21	45	51	45
435 967¹	28	21	29	21	45	51	45
452 506	28	23	31	41	47	54	64
435 974	28	23	31	23	47	54	47
435 882	28	28	29	28	52	53	52
435 981	35	19	33	19	45	55	45
435 998	35	19	33	19	45	55	45
436 001	35	21	34	21	47	57	47

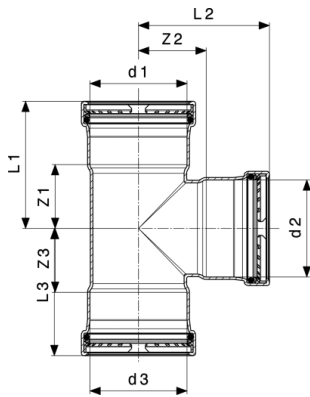
¹⁾ Special item: available ex Germany.



Sanpress Inox T-piece
- Stainless steel
Model 2318

Article	d1	Z1	Z2	Z3	L1	L2	L3
436 018	35	27	33	27	53	57	53
435 899	35	27	27	27	53	53	53
436 025¹	42	19	36	19	55	58	55
436 032	42	19	38	19	55	61	55
436 049	42	25	37	25	61	61	61
435 837	42	25	30	25	61	56	61
435 905	42	32	32	32	68	68	68
435 844	54	18	44	18	58	67	58
436 056	54	21	43	21	61	67	61
436 063	54	25	36	25	65	62	65
436 070	54	29	38	29	69	74	69
435 912	54	39	39	39	79	79	79

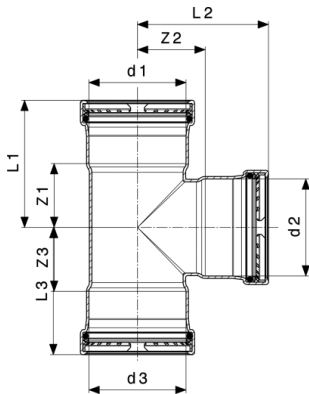
¹⁾ Special item: available ex Germany.



Sanpress Inox XL T-piece
 - Stainless steel
Model 2318XL

Article	d1	Z1	Z2	Z3	L1	L2	L3
578 077 ¹	64	25	41	25	68	64	68
578 060 ¹	64	27	41	27	70	65	70
578 053 ¹	64	32	42	32	75	68	75
578 046 ¹	64	35	44	35	78	80	78
578 039 ¹	64	41	44	41	84	84	84
578 022	64	46	48	46	89	91	89
483 005	76.1	24	47	24	74	70	74
483 012	76.1	27	47	27	77	71	77
483 029 ¹	76.1	30	48	30	80	74	80
483 036	76.1	34	50	34	84	86	84
482 725	76.1	40	50	40	90	91	90
593 360	76.1	51	55	51	101	97	101
482 718	76.1	51	54	51	101	104	101
483 043 ¹	88.9	24	54	24	74	77	74
483 050 ¹	88.9	27	54	27	77	78	77
483 067 ¹	88.9	30	54	30	80	81	80
483 074 ¹	88.9	34	56	34	84	92	84
482 749 ¹	88.9	40	57	40	90	97	90
593 377	88.9	51	61	51	101	104	101
482 756 ¹	88.9	51	60	51	101	110	101
482 732	88.9	57	61	57	107	111	107
483 081 ¹	108	24	63	24	84	86	84
483 098	108	27	63	27	87	87	87
483 104	108	30	64	30	90	90	90
483 111	108	34	66	34	94	102	94
482 770	108	40	67	40	100	107	100

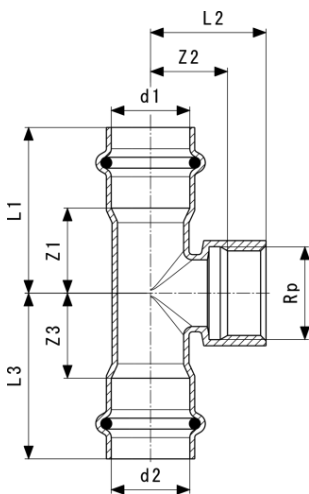
¹) Special item: available ex Germany.



Sanpress Inox XL T-piece
- Stainless steel
Model 2318XL

Article	d1	Z1	Z2	Z3	L1	L2	L3
593 384	108	51	70	51	111	113	111
482 787¹	108	51	71	51	111	121	111
482 794¹	108	57	70	57	117	120	117
482 763	108	67	70	67	127	130	127

¹⁾ Special item: available ex Germany.

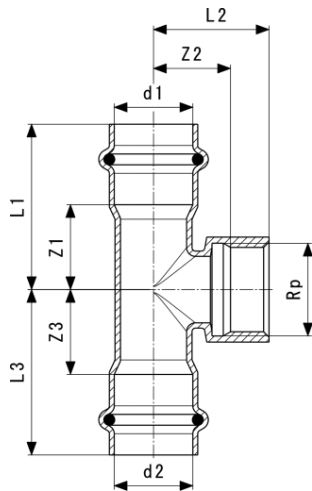


Sanpress Inox T-piece
- Stainless steel
Model 2317.2

Article	d1	Z1	Z2	Z3	L1	L2	L3	WS
437 145	15	19	17	19	41	29	41	24
437 152	18	21	20	21	43	30	43	24
437 169¹	18	24	21	24	46	32	46	30
437 176	22	22	22	22	45	32	45	24
437 183	22	24	22	24	47	33	47	30
437 190	28	21	26	21	45	36	45	24
437 206	28	23	26	23	47	37	47	30

WS = wrench size

¹⁾ Special item: available ex Germany.

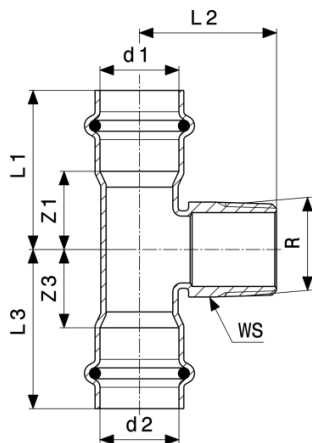


Sanpress Inox T-piece
- Stainless steel
Model 2317.2

Article	d1	Z1	Z2	Z3	L1	L2	L3	WS
449 506¹	28	28	27	28	52	40	52	36
437 213	35	19	29	19	45	40	45	24
437 220	42	19	33	19	55	43	55	24
437 237	54	18	39	18	58	49	58	24

WS = wrench size

¹⁾ Special item: available ex Germany.

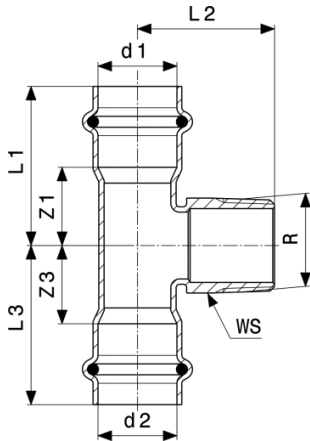


Sanpress Inox T-piece
- Stainless steel
Model 2317.1

Article	d1	Z1	Z3	L1	L2	L3	WS
445 980	22	22	22	45	39	45	27
445 997¹	28	21	21	45	43	45	27
446 000	35	21	21	47	47	47	27
446 017	42	19	19	55	50	55	27
446 024	54	18	18	58	56	58	27

WS = wrench size

¹⁾ Special item: available ex Germany.

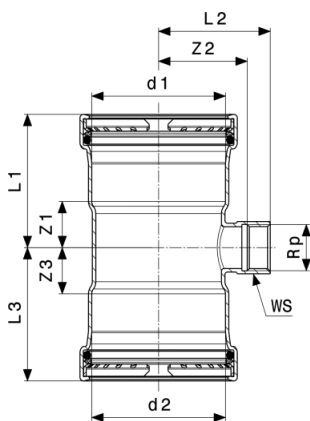


Sanpress Inox T-piece
- Stainless steel
Model 2317.1

Article	d1	Z1	Z3	L1	L2	L3	WS
446 031	54	21	21	61	60	61	36

WS = wrench size

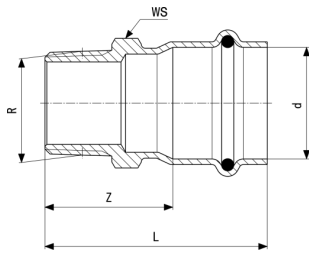
1) Special item: available ex Germany.



Sanpress Inox XL T-piece
- Stainless steel
Model 2317.2XL

Article	d1	Z1	Z2	Z3	L1	L2	L3	WS
578 145	64	25	43	25	68	56	68	30
578 152	64	41	47	41	84	67	84	65
482 862	76.1	24	51	24	74	62	74	30
482 879	76.1	40	56	40	90	74	90	65
482 886	88.9	24	55	24	74	68	74	30
482 893	88.9	40	62	40	90	80	90	65
482 909	108	24	65	24	84	78	84	30
482 916	108	40	72	40	100	90	100	65

WS = wrench size

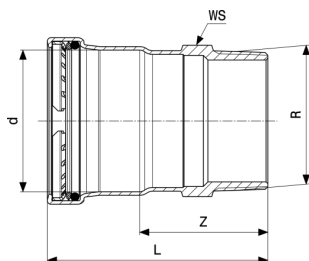


Sanpress Inox adapter
- Stainless steel
Model 2311

Article	d	R	Z	L	WS
436 445	15	½	31	53	22
436 452 ¹	15	¾	34	56	27
436 469	18	½	30	52	22
436 476	18	¾	33	55	27
436 483	22	½	31	54	24
436 490	22	¾	33	56	27
436 506	22	1	34	57	34
436 513	28	¾	32	57	30
436 520	28	1	33	57	34
436 537	35	1	34	60	36
436 544	35	1¼	43	69	46
436 551	42	1½	45	81	50
436 568	54	2	59	89	62

WS = wrench size

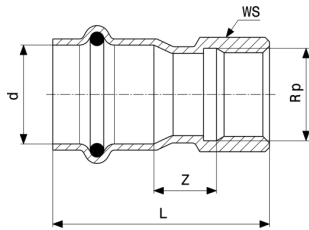
¹⁾ Special item: available ex Germany.



Sanpress Inox XL adapter
- Stainless steel
Model 2311XL

Article	d	R	Z	L	WS
619 985	64	2½	66	109	80
482 923	76.1	2½	65	115	80
483 128	88.9	3	68	118	90
482 930	108	4	74	135	114

WS = wrench size

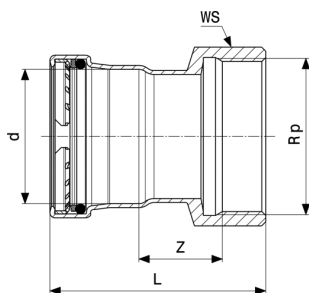


Sanpress Inox adapter
- Stainless steel
Model 2312

Article	d	Rp	Z	L	WS
436 575	15	½	17	49	24
436 582¹	15	¾	17	50	30
436 599	18	½	17	48	24
436 605	18	¾	16	49	30
436 612¹	22	½	16	49	24
436 629	22	¾	16	50	30
436 636	22	1	18	53	36
436 643	28	¾	16	51	30
436 650	28	1	18	54	36
436 667	35	1¼	19	60	46
436 674	42	1½	21	73	55
436 681	54	2	24	83	65

WS = wrench size

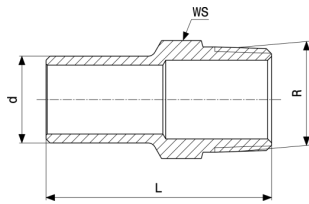
¹⁾ Special item: available ex Germany.



Sanpress Inox XL adapter
- Stainless steel
Model 2312XL

Article	d	Rp	Z	L	WS
619 954	64	2½	34	98	82
619 961	76.1	2½	34	105	82
619 978	88.9	3	29	114	100

WS = wrench size

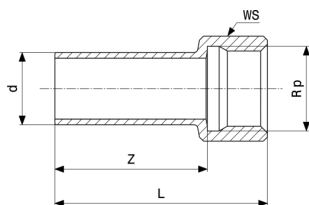


Sanpress Inox plug-in piece
- Stainless steel
Model 2311.1

Article	d	R	L	WS
436 704	15	½	58	22
436 711	18	½	57	22
436 728¹	18	¾	61	27
436 735¹	22	½	59	24
436 742	22	¾	61	27
436 759	28	1	65	36
436 766	35	1¼	73	46
436 773	42	1½	84	50
436 780	54	2	93	63

WS = wrench size

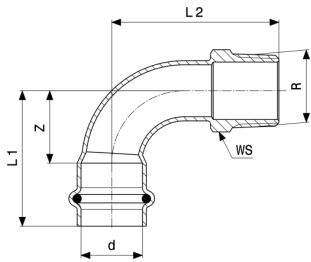
¹) Special item: available ex Germany.



Sanpress Inox plug-in piece
- Stainless steel
Model 2312.1

Article	d	Rp	Z	L	WS
436 797	15	½	38	53	26
436 803	18	½	38	53	26
436 810	18	¾	38	55	33
436 827	22	½	39	54	26
436 834	22	¾	39	55	33
436 841	28	¾	40	56	33
436 858	28	1	40	59	40
436 865	35	1¼	42	64	50
436 872	42	1½	54	75	60
436 889	54	2	61	87	70

WS = wrench size



Sanpress Inox adapter elbow 90°
- Stainless steel
Model 2314

Article	d	R	Z	L1	L2	WS	Z*	L1*	L2*	WS*
436 896 ¹	15	½	16	38	44	22	26	38	41	22
436 902 ¹	18	½	18	40	46	22	30	52	43	22
436 919 ¹	18	¾	18	40	50	27	30	52	52	27
436 926	22	¾	26	49	61	27	37	60	61	27
436 933 ¹	28	1	34	58	77	36				
436 940 ¹	35	1¼	33	59	78	46	60	86	91	45
436 957	42	1½	50	87	102	50				
436 964	54	2	65	105	121	62				

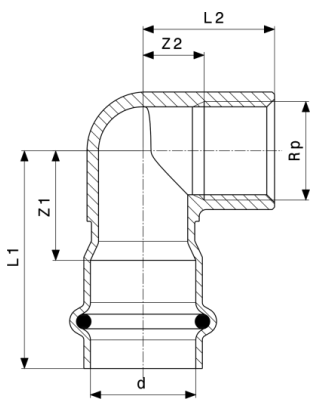
WS = wrench size

Z* = Z-dimension of the previous version

L* = length of the previous version

WS* = previous version (wrench size)

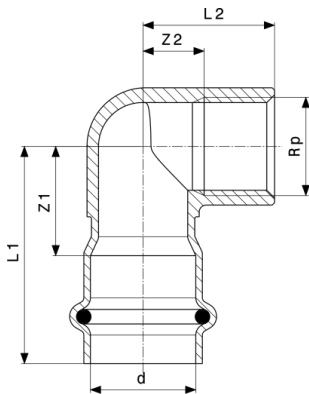
¹⁾ Special item: available ex Germany.



Sanpress Inox adapter elbow 90°
- Stainless steel
Model 2314.2

Article	d	Rp	Z1	Z2	L1	L2
436 971	15	½	24	11	46	26
436 988 ¹	15	¾	26	11	48	28
436 995	18	½	24	11	46	26
437 008 ¹	18	¾	25	11	47	28
437 015	22	½	24	13	47	28
437 022	22	¾	26	13	49	30

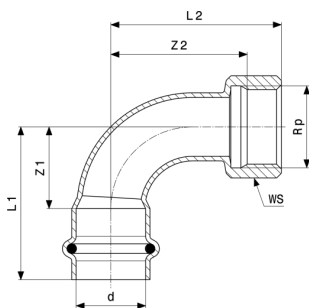
¹⁾ Special item: available ex Germany.



Sanpress Inox adapter elbow 90°
 - Stainless steel
Model 2314.2

Article	d	Rp	Z1	Z2	L1	L2
437 039 ¹	22	1	32	13	55	33
437 046	28	1	32	16	54	36
437 053	35	1¼	37	20	63	42
437 060	42	1½	43	24	80	45
437 077 ¹	54	2	51	29	91	55

¹⁾ Special item: available ex Germany.



Sanpress Inox adapter elbow 90°
 - Stainless steel
Model 2314.5

Article	d	Rp	Z1	Z2	L1	L2	WS	Z1*	Z2*	L1*
437 091 ¹	15	½	16	29	38	39	24	26	21	38
437 107 ¹	18	¾	18	33	40	44	30	30	25	52
437 114	22	¾	26	44	49	55	30	37	44	60
437 121 ¹	28	1	34	58	58	70	36			
437 138 ¹	35	1¼	33	54	59	69	46	60	64	86

Article	d	Rp	L2*	WS*
437 091 ¹	15	½	44	24

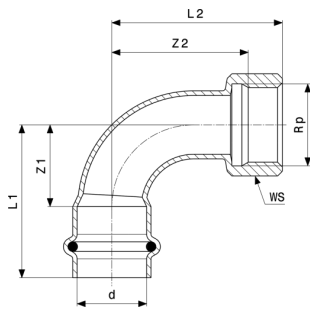
WS = wrench size

Z* = Z-dimension of the previous version

L* = length of the previous version

WS* = previous version (wrench size)

¹⁾ Special item: available ex Germany.



Sanpress Inox adapter elbow 90°
 - Stainless steel
Model 2314.5

Article	d	Rp	L2*	WS*
437 107¹	18	¾	41	30
437 114	22	¾	55	30
437 121¹	28	1		
437 138¹	35	1¼	83	46

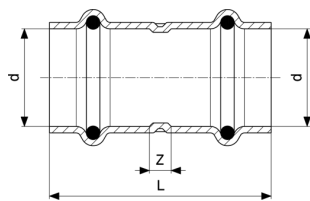
WS = wrench size

Z* = Z-dimension of the previous version

L* = length of the previous version

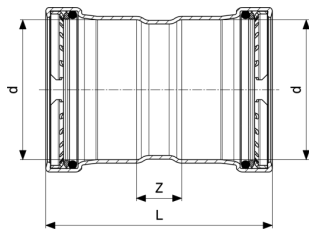
WS* = previous version (wrench size)

¹⁾ Special item: available ex Germany.



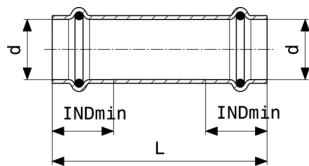
Sanpress Inox coupling
 - Stainless steel
Model 2315

Article	d	Z	L
436 155	15	12	56
436 162	18	11	55
436 179	22	13	59
436 186	28	12	60
436 193	35	12	64
436 209	42	12	85
436 216	54	12	93



Sanpress Inox XL coupling
- Stainless steel
Model 2315XL

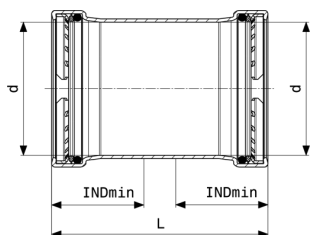
Article	d	Z	L
578 084	64	24	110
482 800	76.1	25	124
482 817	88.9	25	125
482 824	108	25	145



Sanpress Inox sliding coupling
- Stainless steel
Model 2315.5

Article	d	L	INDmin
436 377	15	81	22
436 384	18	81	22
436 391	22	81	23
436 407	28	96	24
436 414	35	106	26
436 421	42	121	36
436 438	54	136	40

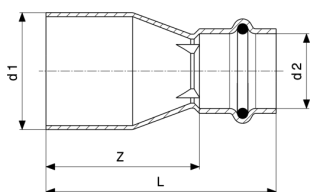
INDmin = insertion depth minimum



Sanpress Inox XL sliding coupling
 - Stainless steel
Model 2315.5XL

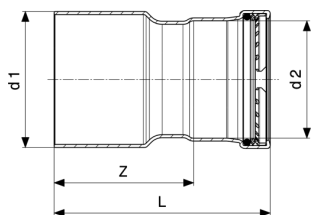
Article	d	L	INDmin
578 091	64	110	43
482 831	76.1	125	50
482 848	88.9	125	50
482 855	108	145	60

INDmin = insertion depth minimum



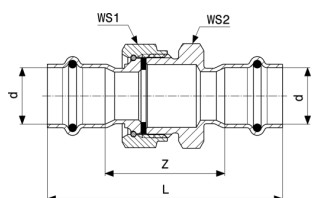
Sanpress Inox reducer
 - Stainless steel
Model 2315.1

Article	d1	d2	Z	L
436 223	18	15	30	52
436 230	22	15	35	57
436 247	22	18	37	59
436 254	28	15	50	72
436 261	28	18	47	69
436 278	28	22	42	65
436 285	35	18	50	72
436 292	35	22	51	74
436 308	35	28	43	67
436 315	42	22	65	88
436 322	42	28	64	88
436 339	42	35	54	80
436 346	54	28	75	99
436 353	54	35	71	97
436 360	54	42	65	101



Sanpress Inox XL reducer
- Stainless steel
Model 2315.1XL

Article	d1	d2	Z	L
578 107	64	54	70	110
483 135	76.1	54	84	124
578 114	76.1	64	83	126
483 142	88.9	54	90	130
578 121	88.9	64	89	132
483 159	88.9	76.1	81	131
483 166	108	54	109	149
578 138	108	64	108	151
483 173	108	76.1	102	152
483 180	108	88.9	94	144



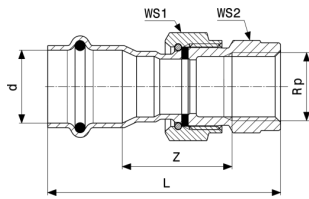
Sanpress Inox screw fitting
- Stainless steel
Model 2360

Article	VdS	d	Z	L	WS1	WS2
437 381		15	42	86	30	30
437 398 ¹		18	41	85	30	27
437 404	✓	22	48	94	37	36
437 411	✓	28	53	101	46	46
437 428	✓	35	58	111	53	50
437 435	✓	42	64	136	60	55
437 442	✓	54	71	152	78	70

VdS = VdS certification

WS = wrench size

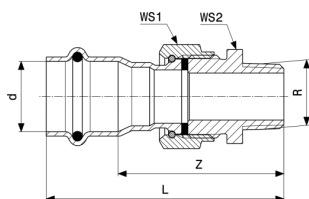
¹) Special item: available ex Germany.



Sanpress Inox adapter union
- Stainless steel
Model 2362

Article	Z	L	WS1	WS2
437 459	29	66	30	27
437 466	33	71	30	30
437 473	28	65	30	27
437 480	32	71	30	30
437 497	34	72	30	27
437 503	40	79	30	31
437 510	39	81	37	40
437 527	46	87	37	34
437 534	47	90	37	40
437 541	36	83	53	50
437 558	41	98	60	55
437 565	30	96	78	66

WS = wrench size



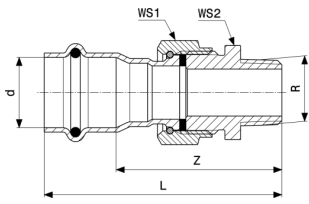
Sanpress Inox adapter union
- Stainless steel
Model 2365

Article	VdS	d	R	Z	L	WS1	WS2
438 258		15	½	46	68	30	27
438 265¹		15	¾	47	69	30	27
438 272¹		18	½	45	67	30	27
438 289¹		18	¾	47	69	30	27
438 296¹	✓	22	½	53	76	30	27
438 302	✓	22	¾	54	77	30	27
438 319	✓	22	1	54	77	37	34
438 326¹	✓	28	¾	60	84	37	34

VdS = VdS certification

WS = wrench size

¹⁾ Special item: available ex Germany.



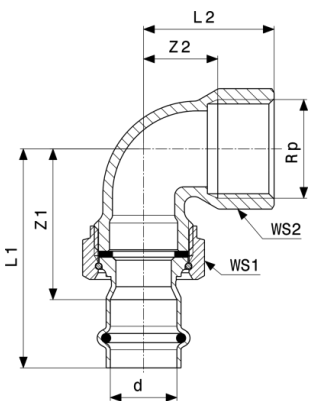
Sanpress Inox adapter union
- Stainless steel
Model 2365

Article	VdS	d	R	Z	L	WS1	WS2
438 333	✓	28	1	62	86	37	34
438 340	✓	35	1¼	63	89	53	50
438 357	✓	42	1½	65	101	60	55
438 364	✓	54	2	78	118	78	72

VdS = VdS certification

WS = wrench size

1) Special item: available ex Germany.

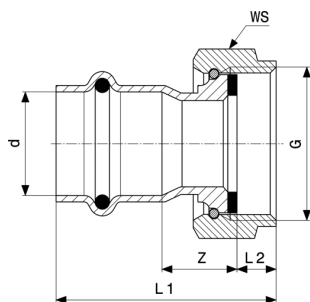


Sanpress Inox adapter union 90°
- Stainless steel
Model 2355

Article	d	Rp	Z1	Z2	L1	L2	WS1	WS2
437 299¹	15	½	41	18	63	33	30	25
437 305¹	18	½	41	18	63	33	30	25
437 312	18	¾	44	23	66	39	36	31
437 329	22	¾	48	23	71	39	37	31
437 336¹	22	1	51	25	74	44	37	38
437 343¹	28	1	57	28	81	47	46	38
437 350¹	35	1¼	60	35	86	57	53	46
437 367¹	42	1½	72	38	108	59	60	53
437 374¹	54	2	84	43	125	69	78	65

WS = wrench size

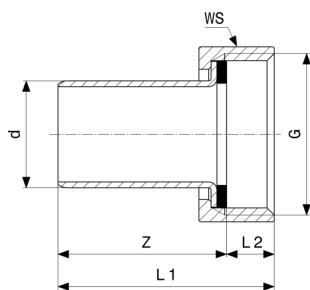
1) Special item: available ex Germany.



Sanpress Inox connection screw fitting
- Stainless steel
Model 2363

Article	VdS	d	G	Z	L1	L2	WS
437 572		15	½	21	50	7	24
437 589		15	¾	15	46	9	30
437 596		18	½	24	52	7	24
437 602		18	¾	15	45	8	30
437 619	✓	22	¾	22	54	8	30
437 626	✓	22	1	16	48	8	37
437 633	✓	28	1	24	56	8	37
437 640	✓	28	1¼	18	52	10	46
437 862	✓	35	1½	18	55	10	53
437 893	✓	42	1¾	22	69	11	60
437 923	✓	42	2	24	75	14	66
437 947	✓	54	2¾	24	77	13	78
437 992	✓	54	2½	25	81	16	84

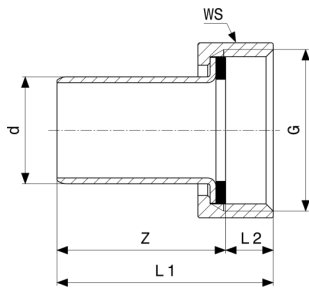
VdS = VdS certification
WS = wrench size



Sanpress Inox connection screw fitting
- Stainless steel
Model 2364

Article	d	G	Z	L1	L2	WS
438 180	15	¾	34	43	9	29
438 197 ¹	18	¾	34	43	9	29
438 203 ¹	22	1	35	45	10	36

WS = wrench size
¹) Special item: available ex Germany.

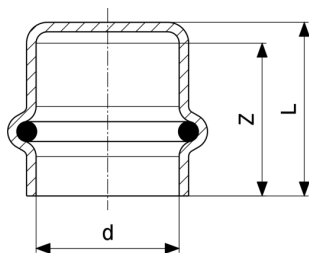


Sanpress Inox connection screw fitting
- Stainless steel
Model 2364

Article	d	G	Z	L1	L2	WS
438 210¹	28	1¼	36	47	11	46
438 227¹	35	1½	39	50	12	52
438 234¹	42	1¾	64	77	13	59
438 241¹	54	2¾	62	73	11	75

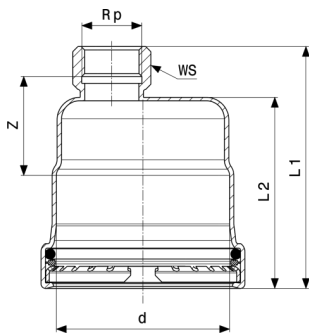
WS = wrench size

¹⁾ Special item: available ex Germany.



Sanpress Inox cap
- Stainless steel
Model 2356

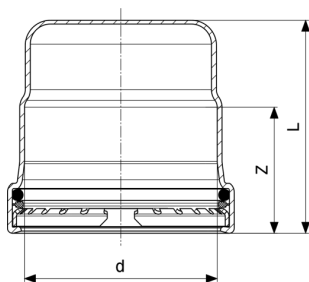
Article	d	Z	L
452 858	15	23	26
452 865	18	23	26
452 872	22	24	27
452 889	28	25	28
452 896	35	27	31
452 902	42	36	41
452 919	54	40	44



Sanpress Inox XL cap
- Stainless steel
Model 2356XL

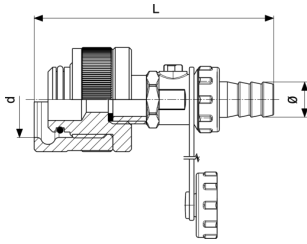
Article	d	Rp	Z	L1	L2	WS
578 183	64	¾	45	99	78	30
557 874	76.1	¾	44	105	85	30
557 898	88.9	¾	44	105	85	30
557 911	108	¾	44	115	94	30

WS = wrench size



Sanpress Inox XL cap
- Stainless steel
Model 2356.1XL

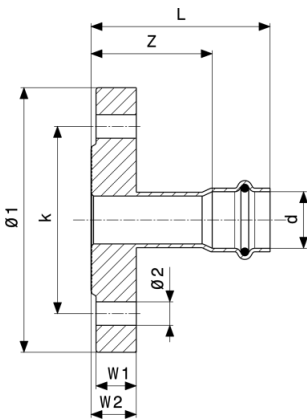
Article	d	Z	L
557 881	76.1	50	85
557 904	88.9	50	85
557 928	108	60	95



Pressure test plug
- Brass
Model 2269

Article	d	L	Ø
141 523	15	120	15
289 423	18	120	15
140 557	22	119	15
142 568	28	131	15
144 111	35	102	15
144 999	42	107	15
187 798	54	127	15

Ø = diameter



Sanpress Inox flange adapter
- Stainless steel
Model 2359

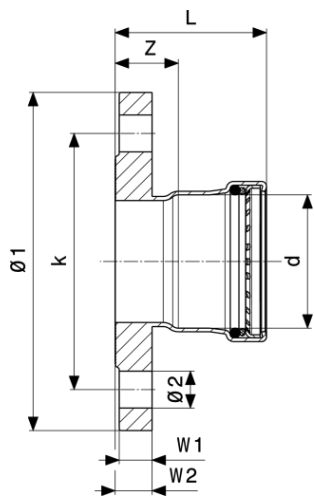
Article	DN	d	Z	L	W1	W2	Ø1	k	Ø2	n
593 315¹	20	22	47	71	16	19	105	75	14	4
593 322	25	28	44	68	16	18	115	85	14	4
593 339	32	35	44	70	16	18	140	100	18	4
593 346	40	42	56	93	16	18	150	110	18	4
593 353	50	54	56	97	16	18	165	125	18	4

Ø = diameter

k = bolt circle diameter

n = number of holes

¹⁾ Special item: available ex Germany.

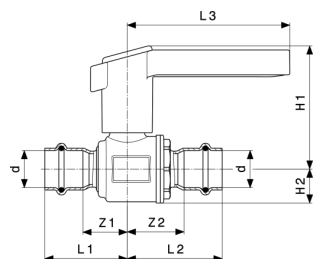


Sanpress Inox XL flange adapter
- Stainless steel
Model 2359XL

Article	VdS	DN	d	Z	L	W1	W2	Ø1	k	Ø2
616 809		50	64	30	73	15	17	165	125	18
482 978	✓	65	76.1	29	79	15	17	180	145	18
482 985	✓	80	88.9	31	81	17	19	200	160	18
482 992	✓	100	108	31	91	17	19	220	180	18

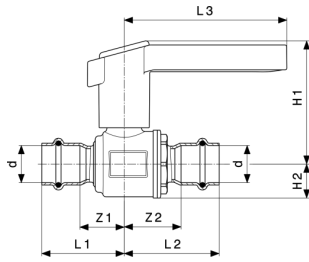
Article	VdS	DN	d	n
616 809		50	64	4
482 978	✓	65	76.1	8
482 985	✓	80	88.9	8
482 992	✓	100	108	8

VdS = VdS certification
Ø = diameter
k = bolt circle diameter
n = number of holes



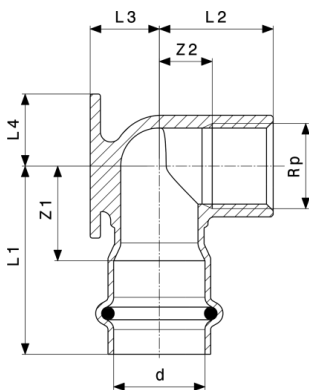
Easytop Inox ball valve
Model 2370

Article	DN	d	Z1	Z2	L1	L2	L3	H1	H2
554 729	15	15	16	23	40	47	98	73	17
554 736	15	18	22	29	44	51	98	73	17
554 743	20	22	27	34	50	57	98	74	21
554 750	25	28	29	39	53	63	113	89	24



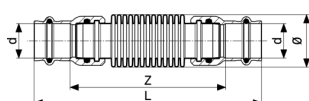
**Easytop Inox ball valve
Model 2370**

Article	DN	d	Z1	Z2	L1	L2	L3	H1	H2
554 767	32	35	37	44	63	70	113	100	31
554 774	40	42	47	46	83	82	119	125	37
554 781	50	54	50	55	90	96	119	133	45



**Sanpress Inox wall plate
- Stainless steel
Model 2325.5**

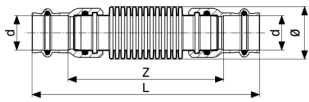
Article	d	Rp	Z1	Z2	L1	L2	L3	L4
437 244	15	½	25	11	47	26	12	18
437 251	18	½	23	11	45	26	14	18
437 268	22	½	25	13	48	28	17	18
437 275	22	¾	27	13	50	30	17	20
437 282	28	1	31	16	55	36	21	23



**Compensator
Model 2251**

Article	d	Z	L	Ø
690 250	15	100	144	25
690 267	18	104	148	27
690 274	22	102	149	34

Ø = diameter



**Compensator
Model 2251**

Article	d	Z	L	Ø
690 281	28	121	168	41
690 298	35	123	174	50
690 304	42	127	199	60
690 311	54	137	217	72

Ø = diameter

Imprint

Viega GmbH & Co. KG

Viega Platz 1
57439 Attendorn
Germany
Phone: +49/2722/61-0
Fax: +49/2722/61-1566

The Viega GmbH & Co. KG is represented by the general partners: Viega Management B.V. (Managing directors: Michael Klenz, Sebastian Leigemann) and Viega Management GmbH (Managing directors: Michael Klenz, Sebastian Leigemann)

The Submittal Package contains non-binding information that is being provided to you. All contents in the Submittal Package have been compiled with the greatest possible care and attention. Despite this, we are unable to guarantee that the information is up to date, accurate and complete. Placing an order does not automatically render the Submittal Package part of the contract.