

Sanpress Inox G

Submittal Package



Index

1	Product group description	3
2	Certification	5
3	Z-dimensions	12
4	Imprint	28

Product group description

Flow-optimised press connector system with press connectors and pipes made of stainless steel 1.4401. Press connector for protecting the sealing element equipped with cylindrical pipe guide. Press connector from d64.0 with stainless steel compression ring to ensure the mechanical strength of the connection. Pipes equipped with protective pipe plug. The pressing force is located before and behind the sealing element seat. Suitable for concealed and pre-wall installations of manifold and riser pipes.

Labeling

Manufacturer, Pipe dimension, Batch, Yellow dot on press end, yellow rectangle with inscription »Gas MOP 5 / GT5« for Sanpress Inox G connectors, Yellow rectangle with inscription »Gas MOP 5 / GT5«, yellow pipe plug, Detachable orange label as press indicator from d64.0

Inadvertently unpressed connections are noticed immediately during a leakage test.

Viega guarantees the detection of unpressed connections in the following pressure ranges with compressed air or inert gases:

min. air pressure: 22 hPa / 2.2 kPa / 22 mbar / 0.3 PSI

max. air pressure: 0.3 MPa / 300 kPa / 3 bar / 43.5 PSI

Sealing elements for press connection

HNBR (hydrogenated acrylonitrile butadiene rubber), yellow, pre-assembled

Dimension

d15–108.0

Tools

The functional safety of Viega press connector systems depends primarily on the faultless condition of the press tools used. Viega recommends the use of Viega press tools for pressing Viega press connectors. Viega press tools have to be regularly maintained by authorised service partners.

Areas of application

Natural gas/liquid gas

Heating oil

Diesel fuel

Note

The system components should be protected against high concentrations of chloride generated by both the medium and by external factors. Use of the system for areas of application and media other than those described must be agreed in consultation with Viega. Detailed information concerning applications, limitations and national codes and standards can be found in the product documentation, either printed or on the Viega website.

Note – Standards and approvals

Press connector system with press connectors and pipes in accordance with DIN EN 10088 and AS 5200.053.

Australian watermark approval No. SMK21120.

AS/NZS 5601 and DIN 30672 compliant.

AS 5200.053 and DIN EN 10088 compliant.

Special applications

Nitrogen

Compressed air systems

Operating conditions gas and liquid gas installations

operating temperature -20 °C to +70 °C (-4 °F to +158 °F)

operating pressure max. 0.5 MPa / 5 bar / 72.5 PSI

operating pressure at HTB requirements 650°C (1202 °F)/30 minutes max. 0.5 MPa (5 bar; 72.5 PSI)

Operating conditions heating oil and diesel fuel installation

operating temperature max. 40 °C / 104 °F

operating pressure -0.05 to +0.5 MPa (-0.5 to +5 bar / -7.25 to +72.5 PSI)

Materials press connector

Stainless steel 1.4401










Changes and errors excepted.







Latest Z- and installation dimensions as well as further technical information can be found on the Viega website and have to be checked before purchase, planning, construction work and use. Our products are continuously optimized.












Warranty







Viega Sanpress Inox G carry a 25 year warranty against defects in material and workmanship.












Certification

Dubai	Dubai Central Laboratory Department Attestation of Conformity Sanpress pipe 1.4521 and 1.4401
Dubai	Dubai Central Laboratory Department Attestation of Conformity Sanpress Inox fittings
	ÖVGW certificate Sanpress / Profipress
	ÖVGW certificate Sanpress Inox (d 15 - 108)
	ÖVGW certificate Sanpress Inox G (d 15 - 108)
	ÜA sign Raxinox pipes
	ÜA sign Sanpress, Raxofix, Maxiplex, bronze threaded fittings, solder fittings
	ÜA sign Sanpress Inox fittings, Raxinox fittings
	SAI Watermark Certificate of Conformity - Level 1 Propress Water, Sanpress and Sanpress Inox
	SAI Watermark Certificate of Conformity 316 Inox Tube
	SAI Certificate of Conformity 372:2020


	<p>SAI StandardsMark Licence Propress, Sanpress and Sanpress Inox</p>
	<p>BCCA Certificate ATG Profipress, Sanpress, Sanpress Inox</p>
<p>ARGB</p>	<p>gas.be - ARGB-KBVG Certificate Sanpress Inox G (d 15-54)</p>
	<p>SVGW certificate Sanpress Inox G (d 15 - 108)</p>
	<p>CCS Certificate of Type Approval Sanpress Inox, Seapress, Profipress</p>
<p>SZU</p>	<p>SZU Certificate Sanpress Inox, Sanpress Inox LF</p>
<p>SZU</p>	<p>SZU Buildig Technical Certificate. Sanpress Inox, Sanpress Inox LF</p>
<p>SZU</p>	<p>SZU Certificate Sanpress Inox G</p>
<p>AMTEC</p>	<p>AMTEC Certificate Profipress, Sanpress, Sanpress Inox, Prestabo, Megapress, Profipress G, Sanpress Inox G, Megapress G</p>
<p>DEKRA</p>	<p>examination certificate Piping system Sanpress/Sanpress XL</p>
<p>DEKRA</p>	<p>examination certificate Rohrleitungssystem SP Inox / Inox XL</p>
	<p>DVGW type examination certificate Sanpress-pipe 1.4521 (d 12 - 108)</p>
	<p>DVGW type examination certificate Sanpress with pipe 1.4401 (d 12 - 108)</p>

	<p>DVGW type examination certificate Sanpress with pipe 1.4521 (d 12 - 108)</p>
	<p>DVGW type examination certificate Sanpress pipe 1.4401 (d 12 - 108)</p>
	<p>DVGW type examination certificate Sanpress Inox with pipe 1.4401 (d 15 - 108)</p>
	<p>DVGW type examination certificate Sanpress Inox with pipe 1.4521 (d 15 - 108)</p>
	<p>DVGW type examination certificate Sanpress Inox G with pipe 1.4401 (d 15 - 108)</p>
	<p>TÜV Association Certificate Profipress, Sanpress, Sanpress Inox, Prestabo (d 15 - 108), Temponox</p>
	<p>VdS certificate Sanpress Inox with pipe 1.4401 and 1.4521 (d 15 - 108)</p>
	<p>ETA Certificate Profipress, Profipress XL, Sanpress, Sanpress XL</p>
	<p>ETA Certificate Sanpress with pipe 1.4401 and 1.4521, (d 12-108)</p>
	<p>Eurofins Certificate Profipress (d 12-54)</p>
	<p>CSTB Certificate Profipress, Sanpress</p>

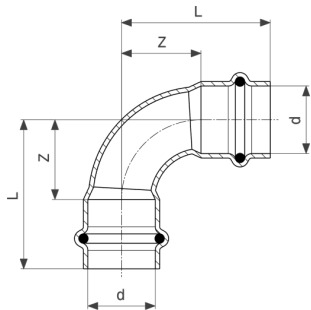
	<p>CSTB QB Certificate Profipress, Sanpress</p>
	<p>CSTB QB Certificate Profipress, Sanpress</p>
	<p>CSTB Certificate Sanpress Inox with pipe 1.4401 and 1.4521, (d 15-108)</p>
	<p>CSTB QB Certificate Sanpress Inox with pipe 1.4401 et 1.4521</p>
<p>Eurofins</p>	<p>Eurofins Certificate of sanitary conformity Sanpress</p>
<p>Eurofins</p>	<p>Eurofins Certificate of sanitary conformity Sanpress Inox</p>
<p>BSI</p>	<p>BSI Kitemark Certificate (BS EN 1254-7) Profipress, Profipress G</p>
<p>BSI</p>	<p>BSI Kitemark Certificate Sanpress Inox, Sanpress Inox G</p>
	<p>Lloyd's Register Type Approval Certificate Sanpress</p>
	<p>Lloyd's Register Type Approval Certificate Sanpress Inox, ProPress 304 FKM, ProPress 316</p>
<p>EMI</p>	<p>EMI certificate Profipress, Sanpress, Easytop, Sanpress Inox, Pexfit Pro Fosta, Smartpress, gunmetal threaded fittings</p>
<p>EMI</p>	<p>EMI Certificate of Constancy of Performance Sanpress Inox</p>

	<p>IAPMO UPC-I Certificate of Listing Sanpress Inox</p>
	<p>IAPMO UMC- I Certificate of Listing Sanpress Inox</p>
	<p>IRS Type Approval Certificate Seapress, Sanpress, Sanpress Inox, Profipress</p>
	<p>ICIM Hygiene certificate Profipress, Profipress XL, Sanpress Inox, Sanpress Inox XL, Sanpress, Sanpress XL, Sanfix Fosta, Raxofix, Smartpress, gunmetal threaded fittings, soldered fittings</p>
	<p>IMQ Certificate Sanpress Inox G</p>
	<p>IMQ Certificate Sanpress Inox G XL</p>
	<p>RINA Type Approval Certificate Sanpress Inox / Sanpress Inox XL</p>
	<p>Class NK Type Approval Certificate Seapress, Seapress XL, Profipress and Sanpress Inox</p>
	<p>KIWA Product certificate Sanpress Inox pipe 1.4521 and 1.4401</p>
	<p>KIWA Product certificate Profipress, Sanpress fittings</p>
	<p>KIWA Product certificate Sanpress Inox fittings</p>
<p>SINTEF</p>	<p>SINTEF Certificate Profipress, Profipress XL</p>

SINTEF	<p>SINTEF Certificate Sanpress with pipe 1.4401 and 1.4521 (d 12-108)</p>
SINTEF	<p>SINTEF Certificate Sanpress Inox med rustfrie stalror 1.4401 og 1.4521 (d 15-108)</p>
	<p>ITB National Technical Assessment Profipress, Profipress XL, Profipress S</p>
	<p>ITB National Technical Assessment Profipress, Sanpress</p>
	<p>ITB Certificate of Constancy of Performance Profipress, Sanpress</p>
	<p>ITB National Technical Assessment Sanpress Inox</p>
	<p>ITB Certificate of Constancy of Performance Sanpress Inox</p>
EITS	<p>EITS Technical Approval Profipress</p>
EITS	<p>EITS Technical Approval Sanpress, Sanpress Inox</p>
	<p>RM Type Approval Certificate Sanpress Inox and Sanpress Inox XL</p>
	<p>RISE Certificate Sanpress och Sanpress XL fittings</p>
	<p>SGBC Certificate Profipress</p>

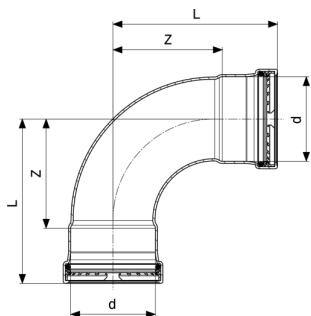
IZV	<p>IZV Certificate Sanpress Inox, Sanpress Inox XL</p>
IZV	<p>IZV Certificate Sanpress Inox G, Sanpress Inox G XL</p>
UKRCERTIFICATION	<p>LLC UKRCertification Certificate of conformity Profipress</p>
UKRCERTIFICATION	<p>LLC UKRCertification Certificate of conformity Sanpress, Sanpress Inox</p>
	<p>ABS Approval Certificate Viega Imperial CTS system ProPress 316, ProPress 304 FKM and Viega Metric CTS system Sanpress Inox and Sanpress Inox XL</p>

Z-dimensions



Sanpress Inox G elbow 90°
- Stainless steel
Model 0216

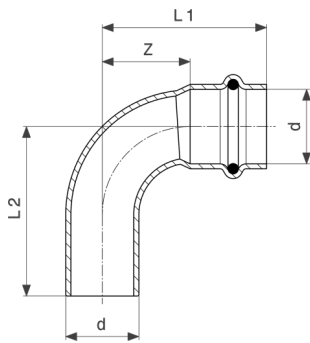
Article	d	Z	L
485 788	15	16	38
485 795	18	18	40
485 801	22	26	49
485 818	28	34	58
485 825	35	33	59
485 832	42	50	87
485 849	54	65	105



Sanpress Inox G XL elbow 90°
- Stainless steel
Model 0216XL

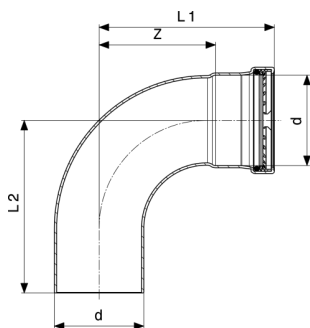
Article	d	Z	L
577 476	64	84	127
577 483	76.1	99	149
577 490¹	88.9	115	165
577 506	108	138	198

¹⁾ Special item: available ex Germany.



Sanpress Inox G elbow 90°
- Stainless steel
Model 0216.1

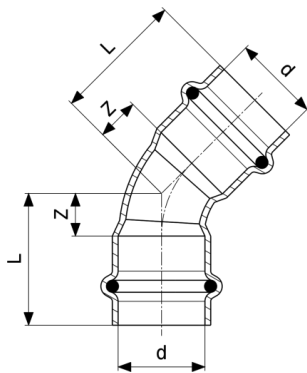
Article	d	Z	L1	L2
486 051	15	16	38	40
486 068	18	18	40	41
486 075	22	26	49	50
486 082	28	34	58	60
486 099	35	33	59	62
486 105	42	50	87	88
486 112	54	65	105	107



Sanpress Inox G XL elbow 90°
- Stainless steel
Model 0216.1XL

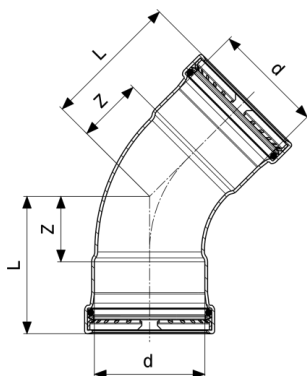
Article	d	Z	L1	L2
577 513	64	84	127	126
577 520	76.1	99	149	147
577 537¹	88.9	115	165	162
577 544	108	138	198	195

¹⁾ Special item: available ex Germany.



Sanpress Inox G elbow 45°
- Stainless steel
Model 0226

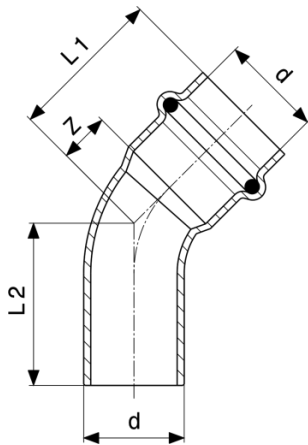
Article	d	Z	L
486 129	15	7	29
486 136	18	7	29
486 143	22	11	34
486 150	28	14	38
486 167	35	15	41
486 174	42	21	57
486 181	54	27	67



Sanpress Inox G XL elbow 45°
- Stainless steel
Model 0226XL

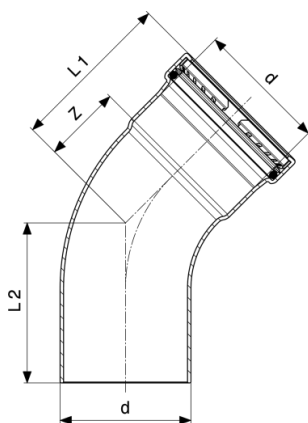
Article	d	Z	L
578 251	64	39	82
578 268	76.1	46	96
578 275 ¹	88.9	52	102
578 282	108	61	121

¹) Special item: available ex Germany.



Sanpress Inox G elbow 45°
- Stainless steel
Model 0226.1

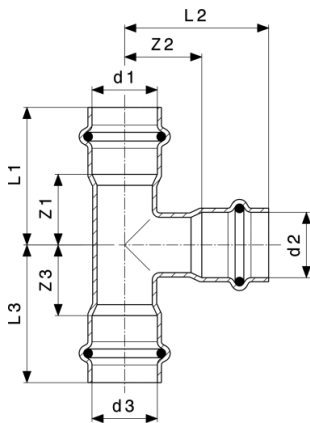
Article	d	Z	L1	L2
486 198	15	7	29	29
486 204	18	7	29	31
486 211	22	11	34	35
486 228	28	14	38	39
486 235	35	15	41	42
486 242	42	21	57	59
486 259	54	27	67	68



Sanpress Inox G XL elbow 45°
- Stainless steel
Model 0226.1XL

Article	d	Z	L1	L2
578 299	64	39	82	82
578 305	76.1	46	96	93
578 312¹	88.9	52	102	99
578 329	108	61	121	119

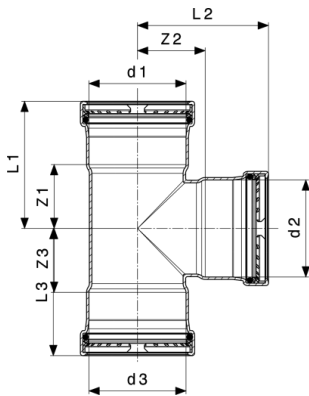
¹) Special item: available ex Germany.



Sanpress Inox G T-piece
- Stainless steel
Model 0218

Article	d1	Z1	Z2	Z3	L1	L2	L3
486 457	15	19	22	19	41	43	41
486 464	18	21	23	21	43	45	43
486 488	22	24	27	24	47	50	47
486 532	28	23	31	23	47	54	47
486 518	28	28	29	28	52	53	52
486 570¹	35	27	33	27	53	57	53
486 556	35	27	27	27	53	53	53
486 600¹	42	25	37	25	61	61	61
486 594	42	32	32	32	68	68	68
570 477¹	54	21	43	21	61	67	61
486 631¹	54	29	38	29	69	74	69
486 624	54	39	39	39	79	79	79

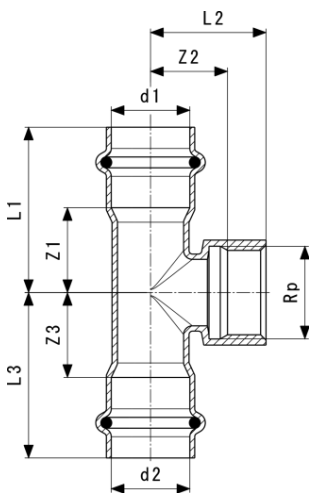
¹⁾ Special item: available ex Germany.



Sanpress Inox G XL T-piece
- Stainless steel
Model 0218XL

Article	d1	Z1	Z2	Z3	L1	L2	L3
578 206	64	46	48	46	89	91	89
578 213	76.1	51	54	51	101	104	101
578 220¹	88.9	57	61	57	107	111	107
578 237	108	67	70	67	127	130	127

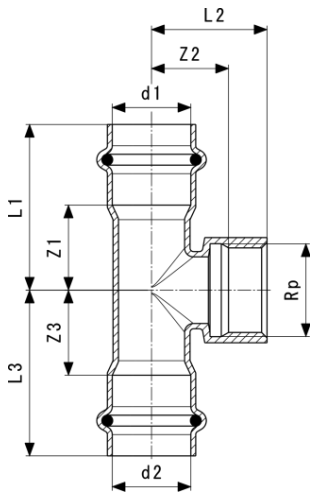
¹⁾ Special item: available ex Germany.



Sanpress Inox G T-piece
- Stainless steel
Model 0217.2

Article	d1	Z1	Z2	Z3	L1	L2	L3	WS
486 655	15	19	14	19	41	29	41	24
486 662	18	21	15	21	43	30	43	24
486 679	22	22	17	22	45	32	45	24
486 686	22	24	17	24	47	33	47	30
486 693	28	21	21	21	45	36	45	24
486 709	28	23	21	23	47	37	47	30
486 716	35	19	25	19	45	40	45	24

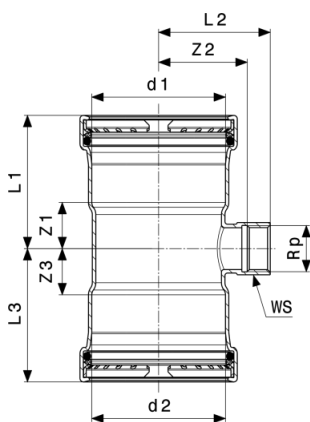
WS = wrench size



Sanpress Inox G T-piece
- Stainless steel
Model 0217.2

Article	d1	Z1	Z2	Z3	L1	L2	L3	WS
486 723	42	19	28	19	55	43	55	24
486 730	54	18	34	18	58	49	58	24

WS = wrench size

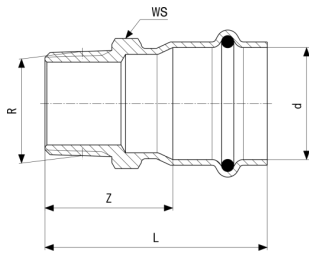


Sanpress Inox G XL T-piece
- Stainless steel
Model 0217.2XL

Article	d1	Z1	Z2	Z3	L1	L2	L3	WS
578 435	64	25	40	25	68	56	68	30
578 466	76.1	24	46	24	74	62	74	30
578 459	76.1	40	48	40	90	73	90	65
578 473¹	88.9	24	55	24	74	68	74	30
578 480¹	88.9	40	54	40	90	79	90	65
578 497	108	24	62	24	84	78	84	30
578 503	108	40	72	40	100	90	100	65

WS = wrench size

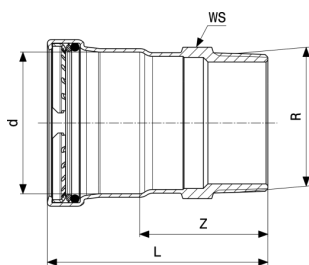
¹) Special item: available ex Germany.



Sanpress Inox G adapter
- Stainless steel
Model 0211

Article	d	R	Z	L	WS
486 266	15	½	31	53	22
486 273	15	¾	34	56	27
486 280	18	½	30	52	22
486 297	18	¾	33	55	27
486 747	22	½	31	54	24
486 754	22	¾	33	56	27
486 761	22	1	34	57	34
486 778	28	¾	33	57	30
486 785	28	1	33	57	34
486 792	35	1	34	60	36
486 808	35	1¼	43	69	46
486 815	42	1½	45	81	50
486 822	54	2	49	89	62

WS = wrench size

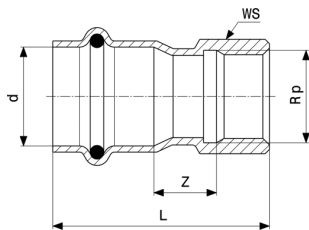


Sanpress Inox G XL adapter
- Stainless steel
Model 0211XL

Article	d	R	Z	L	WS
632 526	76.1	2½	65	115	80
632 533 ¹	88.9	3	68	118	90

WS = wrench size

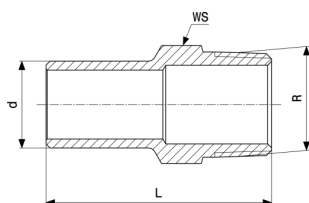
¹) Special item: available ex Germany.



Sanpress Inox G adapter
- Stainless steel
Model 0212

Article	d	Rp	Z	L	WS
486 839	15	½	12	49	24
486 846	15	¾	11	50	30
486 853	18	½	11	48	24
486 860	18	¾	11	49	30
486 877	22	½	11	49	24
486 884	22	¾	11	50	30
486 891	22	1	11	53	36
486 907	28	¾	11	51	30
486 914	28	1	11	54	36
486 921	35	1¼	12	60	46
486 938	42	1½	15	72	55
486 945	54	2	17	83	65

WS = wrench size

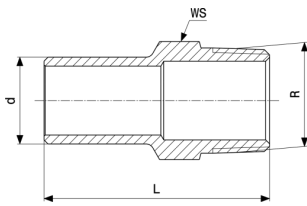


Sanpress Inox plug-in piece
- Stainless steel
Model 2311.1

Article	d	R	L	WS
436 704	15	½	58	22
436 711	18	½	57	22
436 728¹	18	¾	61	27
436 735¹	22	½	59	24
436 742	22	¾	61	27
436 759	28	1	65	36
436 766	35	1¼	73	46
436 773	42	1½	84	50

WS = wrench size

¹⁾ Special item: available ex Germany.

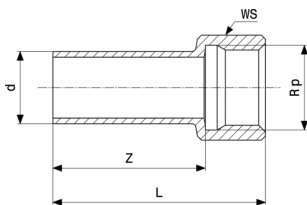


Sanpress Inox plug-in piece
- Stainless steel
Model 2311.1

Article	d	R	L	WS
436 780	54	2	93	63

WS = wrench size

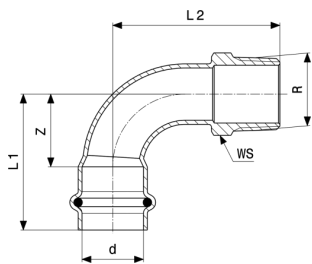
1) Special item: available ex Germany.



Sanpress Inox plug-in piece
- Stainless steel
Model 2312.1

Article	d	Rp	Z	L	WS
436 797	15	½	38	53	26
436 803	18	½	38	53	26
436 810	18	¾	38	55	33
436 827	22	½	39	54	26
436 834	22	¾	39	55	33
436 841	28	¾	40	56	33
436 858	28	1	40	59	40
436 865	35	1¼	42	64	50
436 872	42	1½	54	75	60
436 889	54	2	61	87	70

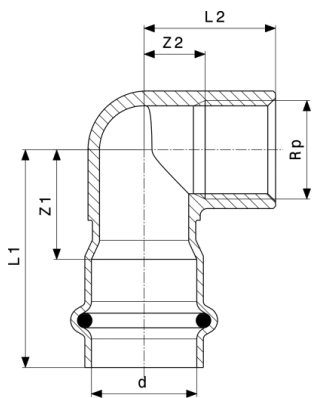
WS = wrench size



Sanpress Inox G adapter elbow 90°
 - Stainless steel
Model 0214

Article	d	R	Z	L1	L2	WS
485 993	15	½	16	38	44	22
486 006	18	½	18	40	46	22
486 013	18	¾	18	40	50	27
486 020	22	¾	26	49	61	27
486 037	28	1	34	58	77	36
486 044	35	1¼	33	59	78	46
486 358	42	1½	50	87	102	50
486 365	54	2	65	105	123	63

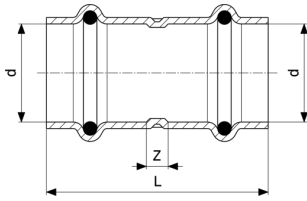
WS = wrench size



Sanpress Inox G adapter elbow 90°
 - Stainless steel
Model 0214.2

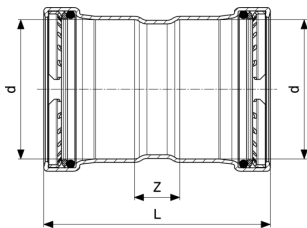
Article	d	Rp	Z1	Z2	L1	L2
486 389 ¹	18	½	23	11	45	26
486 402	22	¾	26	13	49	30
486 419 ¹	28	1	31	16	55	36
486 426	35	1¼	36	20	62	42
486 433 ¹	42	1½	43	24	80	45
486 440 ¹	54	2	51	29	91	55

¹⁾ Special item: available ex Germany.



Sanpress Inox G coupling
- Stainless steel
Model 0215

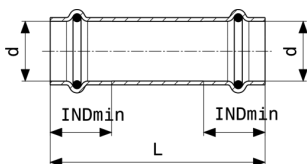
Article	d	Z	L
486 969	15	12	56
486 976	18	11	55
486 983	22	12	59
486 990	28	12	60
487 003	35	12	64
487 010	42	12	85
487 027	54	12	93



Sanpress Inox G XL coupling
- Stainless steel
Model 0215XL

Article	d	Z	L
578 244	64	24	110
578 558	76.1	25	125
578 565 ¹	88.9	25	125
578 572	108	25	145

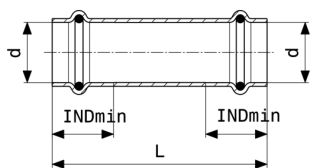
¹) Special item: available ex Germany.



Sanpress Inox G sliding coupling
- Stainless steel
Model 0215.5

Article	d	L	INDmin
487 034	15	81	22
487 041	18	81	22

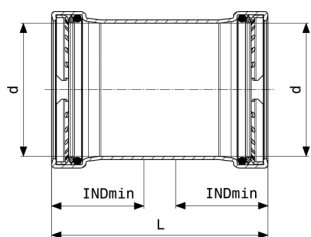
INDmin = insertion depth minimum



Sanpress Inox G sliding coupling
- Stainless steel
Model 0215.5

Article	d	L	INDmin
487 058	22	81	23
487 065	28	96	24
487 072	35	106	26
487 089	42	121	36
487 096	54	136	40

INDmin = insertion depth minimum

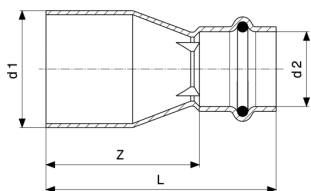


Sanpress Inox G XL sliding coupling
- Stainless steel
Model 0215.5XL

Article	d	L	INDmin
578 589	64	110	43
578 596	76.1	125	50
578 602¹	88.9	125	50
578 619	108	145	60

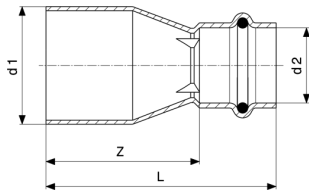
INDmin = insertion depth minimum

¹) Special item: available ex Germany.



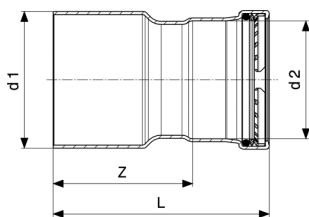
Sanpress Inox G reducer
- Stainless steel
Model 0215.1

Article	d1	d2	Z	L
487 102	18	15	36	58
487 119	22	15	35	57
487 126	22	18	37	59
487 133	28	15	50	72



Sanpress Inox G reducer
- Stainless steel
Model 0215.1

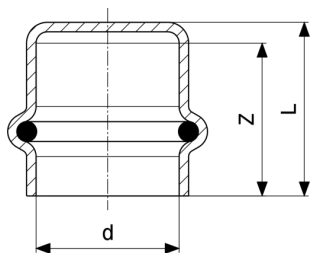
Article	d1	d2	Z	L
487 140	28	18	47	69
487 157	28	22	42	65
487 164	35	22	51	74
487 171	35	28	43	67
487 188	42	22	65	88
487 195	42	28	64	88
487 201	42	35	54	80
487 218	54	35	71	97
487 225	54	42	65	101



Sanpress Inox G XL reducer
- Stainless steel
Model 0215.1XL

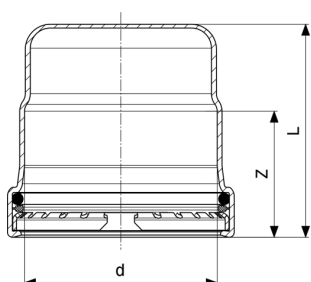
Article	d1	d2	Z	L
578 336	64	54	70	110
578 350	76.1	54	84	124
578 343	76.1	64	83	126
578 367¹	88.9	54	90	130
578 374¹	88.9	64	89	132
578 381¹	88.9	76.1	81	131
578 398	108	54	109	149
578 411	108	76.1	102	152
578 428	108	88.9	94	144

¹⁾ Special item: available ex Germany.



Sanpress Inox G cap
- Stainless steel
Model 0256

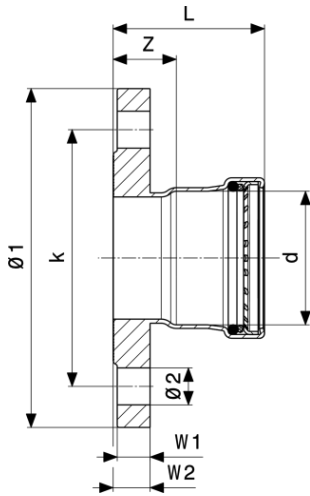
Article	d	Z	L
487 232	15	23	26
487 249	18	23	26
487 256	22	24	27
487 263	28	25	28
487 270	35	27	31
487 287	42	36	41
487 294	54	40	44



Sanpress Inox G XL cap
- Stainless steel
Model 0256.1XL

Article	d	Z	L
578 640	64	43	78
578 633	76.1	50	85
578 657¹	88.9	50	85
578 664	108	60	95

¹⁾ Special item: available ex Germany.



Sanpress Inox G XL flange adapter
- Stainless steel
Model 0259XL

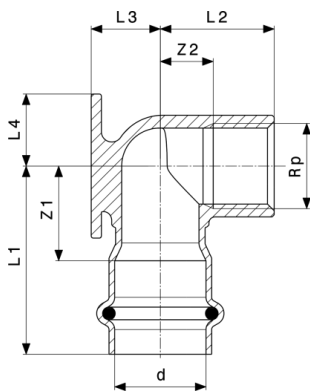
Article	DN	d	Z	L	W1	W2	Ø1	k	Ø2	n
641 757 ¹	50	64	30	73	15	17	165	125	18	4
578 534	65	76.1	29	79	15	17	180	145	18	8
578 541 ¹	80	88.9	31	81	17	19	200	160	18	8
578 510 ¹	100	108	31	91	17	19	220	180	18	8

Ø = diameter

k = bolt circle diameter

n = number of holes

¹) Special item: available ex Germany.



Sanpress Inox G wall plate
- Stainless steel
Model 0225.5

Article	d	Rp	Z1	Z2	L1	L2	L3	L4
487 300	15	½	25	11	47	26	12	18
487 317	18	½	23	11	45	26	14	18
487 324	22	½	25	13	48	28	17	18
493 974	22	¾	27	13	50	30	17	20

Imprint

Viega GmbH & Co. KG

Viega Platz 1

57439 Attendorn

Germany

Phone: +49/2722/61-0

Fax: +49/2722/61-1566

The Viega GmbH & Co. KG is represented by the general partners: Viega Management B.V. (Managing directors: Michael Klenz, Sebastian Lelgemann) and Viega Management GmbH (Managing directors: Michael Klenz, Sebastian Lelgemann)

The Submittal Package contains non-binding information that is being provided to you. All contents in the Submittal Package have been compiled with the greatest possible care and attention. Despite this, we are unable to guarantee that the information is up to date, accurate and complete. Placing an order does not automatically render the Submittal Package part of the contract.