

Raxofix

Submittal Package



Index

1	Product group description	3
2	Permitted pipes	5
3	Certification	7
4	Z-dimensions	9
5	Imprint	24

Product group description

Flow-optimised press connector system with press connectors made of silicon bronze and multi-layer pipes and solid plastic pipes. Multi-layer pipe, dimensionally stable, oxygen-proof, colour: grey. Press connector with PPSU support body to ensure the leak tightness and mechanical strength of the connection. Safe and fast connection without widening or calibration of the pipe ends through O-ring-free press technology in all pipe dimensions. Pipes equipped with protective pipe plug. solid plastic pipe, flexible Suitable for concealed and pre-wall installations of manifold and riser pipes.

Labeling

Manufacturer, Pipe dimension, Batch, Green dot on press end, system approvals

Press connector with Smart Connect Feature

Inadvertently unpressed connections become visibly leaky when the system is filled.

Viega guarantees the detection of unpressed connections in the following pressure ranges:

min. water pressure: 0.1 MPa / 100 kPa / 1 bar / 14.5 PSI

max. water pressure: 0.65 MPa / 650 kPa / 6.5 bar / 94.3 PSI

min. air pressure: 22 hPa / 2.2 kPa / 22 mbar / 0.3 PSI

max. air pressure: 0.3 MPa / 300 kPa / 3 bar / 43.5 PSI

Dimension

d16–63

Tools

The functional safety of Viega press connector systems depends primarily on the faultless condition of the press tools used. Viega recommends the use of Viega press tools for pressing Viega press connectors. Viega press tools have to be regularly maintained by authorised service partners.

Areas of application solid plastic pipe

Potable water

Areas of application multi-layer pipe

Potable water

Heating systems

Rainwater

Compressed air systems

Note

The press connector system Raxofix is suitable for the creation of potable water installations according to DIN 1988-200 and EN 806-2 in consideration of the selection of material in accordance with DIN EN 12502-1 and according to the evaluation basis for metallic materials in contact with potable water of the Umweltbundesamt (UBA) (Federal Environment Agency). When used for other areas of use and when in doubt about the right selection of material, please contact Viega. Detailed information concerning applications, limitations and national codes and standards can be found in the product documentation, either printed or on the Viega website.

Operating conditions potable water installations

operating temperature max. 70 °C / 158 °F

operating pressure max. 1.0 MPa / 10 bar / 145 PSI

Operating conditions heating installations

operating temperature max. 80 °C / 176 °F

operating pressure max. 1.0 MPa / 10 bar / 145 PSI

Irrelevant of the direction of flow, mixed installations are permitted.

Materials press connector

Silicon bronze: CC246E / CuSi4Zn9MnP

Changes and errors excepted.

Latest Z- and installation dimensions as well as further technical information can be found on the Viega website and have to be checked before purchase, planning, construction work and use. Our products are continuously optimized.












This product description contains important information on choice of product and system, mounting, commissioning as well as intended use and, if required, on maintenance measures. This information on products, their features and application techniques is based on currently valid standards in Europe (e.g. EN) and/or in Germany (e.g. DIN/DVGW). Some passages in the text may refer to technical regulations in Europe/Germany. These should be considered as recommendations for other countries where no corresponding national requirements exist. The relevant national laws, standards, regulations, directives and other technical provisions take priority over the German/European directives specified in this product description: The information herein is not binding for other countries and regions and should be understood as recommendation.






Permitted pipes

pipe material	Model	Article	external Ø	wall thickness	equipments
PE-RT/AI/PE-RT	5302	645 717	16	2.2	
PE-RT/AI/PE-RT	5302	760 441	20	2.8	
PE-RT/AI/PE-RT	5302	714 604	25	2.7	
PE-RT/AI/PE-RT	5302	687 946	32	3.2	
PE-RT/AI/PE-RT	5301	645 748	16	2.2	grey protective pipe
PE-RT/AI/PE-RT	5301	645 755	20	2.8	
PE-RT/AI/PE-RT	5302.6	645 786	16	2.2	surrounding insulation 6 mm grey ($\lambda=0.040$ W/(mK))
PE-RT/AI/PE-RT	5302.6	645 793	20	2.8	
PE-RT/AI/PE-RT	5302.5	645 809	16	2.2	surrounding insulation 9 mm grey ($\lambda=0.040$ W/(mK))
PE-RT/AI/PE-RT	5302.5	645 816	20	2.8	
PE-RT/AI/PE-RT	5302.5	648 114	25	2.7	
PE-RT/AI/PE-RT	5302.5	743 284	32	3.2	
PE-RT/AI/PE-RT	5302.4	717 926	16	2.2	surrounding insulation 13 mm grey ($\lambda=0.040$ W/(mK))
PE-RT/AI/PE-RT	5302.4	717 933	20	2.8	
PE-RT/AI/PE-RT	5302.4	743 291	25	2.7	
PE-RT/AI/PE-RT	5302.4	743 307	32	3.2	
PE-RT/AI/PE-RT	5302.3	717 940	16	2.2	surrounding insulation 26 mm grey ($\lambda=0.040$ W/(mK))
PE-RT/AI/PE-RT	5302.3	718 053	20	2.8	
PE-RT/AI/PE-RT	5302.3	743 314	25	2.7	
PE-RT/AI/PE-RT	5304	734 084	16	2.2	grey eccentric heat insulation 26 mm to the floor ($\lambda=0.040$ W/(mK))
PE-RT/AI/PE-RT	5304	734 091	20	2.8	
PE-RT/AI/PE-RT	5304	728 779	25	2.7	
PE-RT/AI/PE-RT	5304.1	684 457	16	2.2	grey eccentric heat insulation 9 mm to the floor ($\lambda=0.040$ W/(mK))
PE-RT/AI/PE-RT	5304.1	684 464	20	2.8	
PE-RT/AI/PE-RT	5303	645 847	16	2.2	
PE-RT/AI/PE-RT	5303	645 854	20	2.8	
PE-RT/AI/PE-RT	5303	645 861	25	2.7	
PE-RT/AI/PE-RT	5303	645 878	32	3.2	
PE-RT/AI/PE-RT	5303	645 885	40	3.5	
PE-RT/AI/PE-RT	5303	645 892	50	4.0	
PE-RT/AI/PE-RT	5303	645 908	63	4.5	
PE	2004	776 022	21		black protective pipe
PE	2004	105 761	25		
PE	2004	110 604	28		

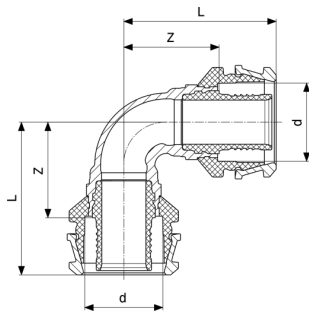
pipe material	Model	Article	external Ø	wall thickness	equipments
PE	2004	103 460	34		black protective pipe
PE-RT/AI/PE-RT	5302.48	816 582	16	2.2	surrounding insulation 13 mm white ($\lambda=0.040$ W/(mK)) halogen-free according to IEC 60754-3/DGNB ENV1.2 Criterion QS4 compliant
PE-RT/AI/PE-RT	5302.48	816 599	20	2.8	
PE-RT/AI/PE-RT	5302.48	816 605	25	2.7	
PE-RT/AI/PE-RT	5302.38	816 612	16	2.2	surrounding insulation 26 mm white ($\lambda=0.040$ W/(mK)) halogen-free according to IEC 60754-3/DGNB ENV1.2 Criterion QS4 compliant
PE-RT/AI/PE-RT	5302.38	816 629	20	2.8	
PE-RT/AI/PE-RT	5302.38	816 636	25	2.7	

Certification

	<p>ÖVGW certificate Raxofix (d 16 - 63)</p>
	<p>ÜA sign Raxofix pipe, Maxiplex support sleeve</p>
	<p>ÜA sign Sanpress, Raxofix, Maxiplex, bronze threaded fittings, solder fittings</p>
	<p>SAI Watermark Certificate of Conformity Raxofix Multilayerpipe</p>
	<p>SAI Watermark Certificate of Conformity Raxofix Cross-linked polyethylene (PE-X) pipes</p>
	<p>SAI Watermark Certificate of Conformity Raxofix Fittings</p>
	<p>SAI Certificate of Conformity 372:2020</p>
	<p>CCS Certificate of Works Approval Raxofix multi-layer pipe & fitting</p>
	<p>DVGW type examination certificate Raxofix (DN10 16x3,8)</p>
	<p>DVGW type examination certificate Raxofix (d 16 - 63)</p>
	<p>DNV GL Type Approval Certificate Raxofix Multilayer Pipe System</p>

	<p>Bureau Veritas Type Approval Certificate Raxofix Multi-Layer Composite Pipes and Metallic Pressfittings</p>
	<p>Lloyd's Register Type Approval Certificate Raxofix Multilayer Pipe System</p>
	<p>WRAS Certificate Raxofix with PE-RT/Al/PE-RT pipes</p>
	<p>ICIM Hygiene certificate Profipress, Profipress XL, Sanpress Inox, Sanpress Inox XL, Sanpress, Sanpress XL, Sanfix Fosta, Raxofix, Smartpress, gunmetal threaded fittings, soldered fittings</p>
	<p>RINA Type Approval Certificate Raxofix pipes and fittings</p>
<p>IZV</p>	<p>IZV Certificate Raxofix</p>

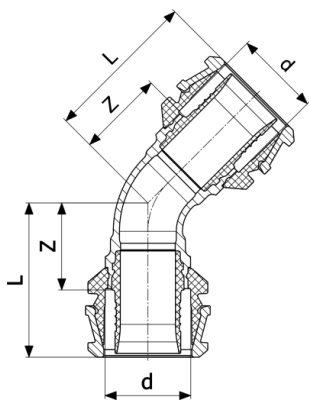
Z-dimensions



Raxofix elbow 90°
- Silicon bronze
Model 5316

Article	d	Z	L
647 001	16	23	38
647 018	20	24	39
647 025	25	30	50
647 032	32	36	56
647 049¹	40	46	73
647 056¹	50	55	82
647 063¹	63	62	91

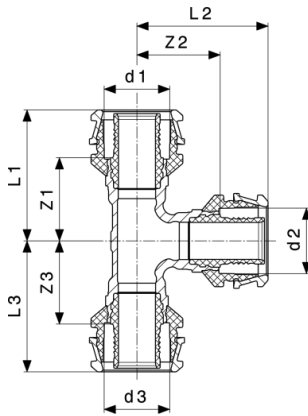
¹⁾ Special item: available ex Germany.



Raxofix elbow 45°
- Silicon bronze
Model 5326

Article	d	Z	L
647 070	25	25	45
647 087¹	32	25	45
647 094¹	40	30	57
647 100¹	50	40	67
647 117¹	63	45	74

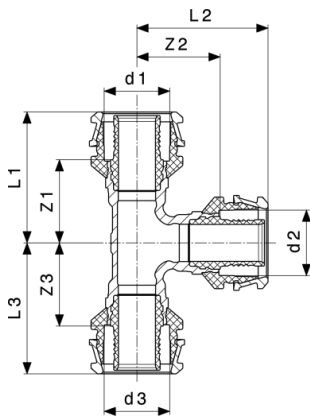
¹⁾ Special item: available ex Germany.



Raxofix T-piece
- Silicon bronze
Model 5318

Article	d1	d2	d3	Z1	Z2	Z3	L1	L2	L3
647 278	16	16	16	23	23	23	38	38	38
647 285	16	20	16	24	24	24	39	39	39
647 308	20	16	16	25	25	24	40	40	39
647 315	20	16	20	24	25	24	39	40	39
647 322	20	20	16	25	25	25	40	40	40
647 292	20	20	20	25	25	25	40	40	40
647 346	25	16	16	28	26	23	48	41	38
647 353	25	16	20	30	26	24	50	41	39
647 360	25	16	25	26	27	26	46	42	46
647 377	25	20	20	29	27	24	49	42	39
647 384	25	20	25	28	28	28	48	43	48
647 391	25	25	16	30	30	27	50	50	42
738 457	25	25	20	30	30	27	50	50	42
647 339	25	25	25	30	30	30	50	50	50
647 414	32	16	25	27	30	26	47	45	46
647 421 ¹	32	16	32	27	32	27	47	47	47
647 438 ¹	32	20	20	30	30	25	50	45	40
647 445 ¹	32	20	32	30	30	30	50	45	50
647 452 ¹	32	25	25	32	32	30	52	52	50
647 469 ¹	32	25	32	33	33	33	53	53	53
647 407 ¹	32	32	32	35	35	35	55	55	55
790 424	40	16	40	30	36	30	57	51	57
647 483 ¹	40	20	40	32	38	32	59	53	59
647 490 ¹	40	25	32	34	37	30	61	57	50
647 506 ¹	40	25	40	35	40	35	62	60	62

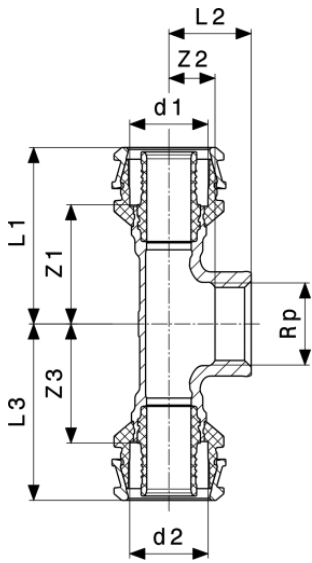
¹⁾ Special item: available ex Germany.



Raxofix T-piece
- Silicon bronze
Model 5318

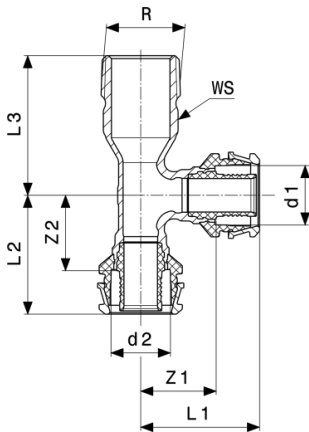
Article	d1	d2	d3	Z1	Z2	Z3	L1	L2	L3
647 513¹	40	32	32	38	38	34	65	58	54
647 520¹	40	32	40	38	38	38	65	58	65
647 476¹	40	40	40	46	46	46	73	73	73
790 431	50	16	50	37	41	37	63	56	63
647 544¹	50	25	50	40	45	40	67	65	67
647 551¹	50	32	50	43	43	43	69	63	69
647 568¹	50	40	50	47	47	47	74	74	74
647 537¹	50	50	50	51	51	51	78	78	78
647 582¹	63	25	63	41	50	41	70	70	70
647 599¹	63	32	63	44	54	44	73	74	73
647 605¹	63	40	63	47	53	47	76	80	76
647 612¹	63	50	63	52	57	52	81	84	81
647 575¹	63	63	63	62	62	62	91	91	91

¹⁾ Special item: available ex Germany.



Raxofix T-piece
- Silicon bronze
Model 5317

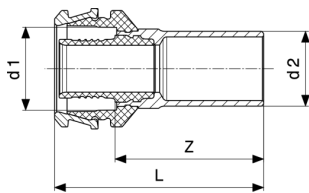
Article	d1	Rp	d2	Z1	Z2	Z3	L1	L2	L3
647 124	16	½	16	29	5	29	44	20	44
647 131	20	½	20	31	10	31	46	21	46
647 148	25	½	25	33	8	33	53	23	53
647 155	25	¾	25	35	9	35	55	25	55
647 179	32	¾	32	35	12	35	55	28	55
647 186	32	1	32	39	11	39	59	30	59
647 193	40	¾	40	40	14	40	67	30	67
647 223	50	1	50	47	18	47	74	37	74
647 230	63	1	63	50	23	50	79	42	79



Raxofix T-piece
- Silicon bronze
Model 5326.4

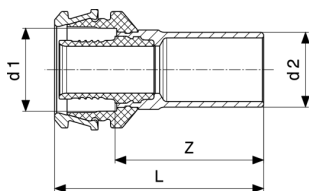
Article	R	d1	d2	Z1	Z2	L1	L2	L3	WS
647 629	½	16	16	23	23	38	38	40	18
647 636	¾	16	16	23	23	38	38	47	24
647 643	¾	20	20	25	25	40	40	47	24

WS = wrench size



Raxofix plug-in piece
- Silicon bronze
Model 5313.2

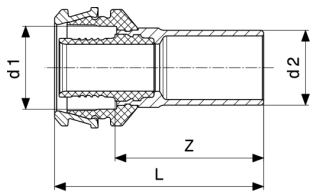
Article	d	DN	Z	L
792 787	16	15	32	47
792 794	20	20	37	52



Raxofix plug-in piece
- Silicon bronze
Model 5313

Article	d1	d2	Z	L
646 554¹	16	15	36	51
646 561¹	16	18	37	52
646 578	20	18	36	51
646 585	20	22	39	54

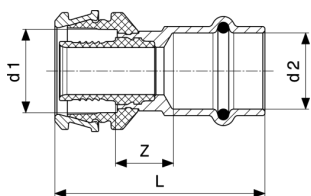
¹⁾ Special item: available ex Germany.



Raxofix plug-in piece
- Silicon bronze
Model 5313

Article	d1	d2	Z	L
646 592	25	22	40	60
646 608 ¹	32	28	41	61
646 615 ¹	40	35	47	74
646 622 ¹	50	42	62	89

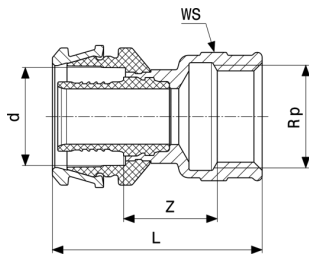
¹) Special item: available ex Germany.



Raxofix adapter
- Silicon bronze
Model 5313P

Article	d1	d2	Z	L
646 707	16	15	13	50
646 714 ¹	16	18	14	51
646 721 ¹	20	15	13	50
646 738 ¹	20	18	14	51
646 745	20	22	15	53
646 752 ¹	25	22	16	59
646 769 ¹	32	28	15	59
646 776 ¹	40	28	21	71
646 783 ¹	40	35	18	70
646 790 ¹	50	35	24	76

¹) Special item: available ex Germany.

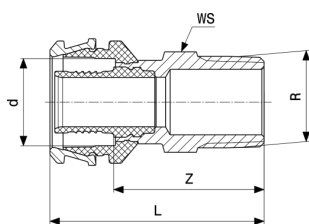


Raxofix adapter
- Silicon bronze
Model 5312

Article	d	Rp	Z	L	WS
646 158	16	½	15	43	25
646 165	16	¾	15	45	31
646 172	20	½	15	43	25
646 189	20	¾	15	45	31
799 151¹	25	½	20	49	26
646 196	25	¾	17	52	31
646 202	25	1	17	55	38
646 219	32	1	17	55	38
646 226¹	32	1¼	17	57	47
646 233¹	40	1¼	23	69	47
728 182¹	40	1½	28	71	53
646 240¹	50	1¼	23	69	47
646 257¹	50	1½	24	71	53
646 264¹	63	2	25	78	67

WS = wrench size

¹⁾ Special item: available ex Germany.

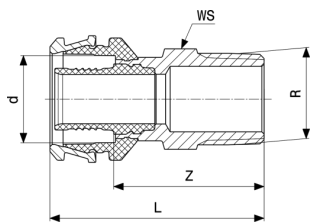


Raxofix adapter
- Silicon bronze
Model 5311

Article	d	R	Z	L	WS
725 563¹	16	⅝	29	44	18
646 288	16	½	32	47	22
646 295	16	¾	33	48	27
646 301	20	½	34	49	22
646 318	20	¾	33	48	28

WS = wrench size

¹⁾ Special item: available ex Germany.

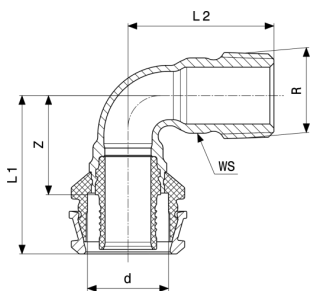


Raxofix adapter
- Silicon bronze
Model 5311

Article	d	R	Z	L	WS
799 168¹	25	½	36	56	27
646 325	25	¾	35	55	28
646 332	25	1	41	61	34
762 766	25	1¼	46	66	43
646 349	32	1	41	61	34
646 356¹	40	1¼	51	78	43
728 175¹	40	1½	51	78	50
646 363¹	50	1½	52	79	50
646 370¹	63	2	58	87	68

WS = wrench size

¹⁾ Special item: available ex Germany.

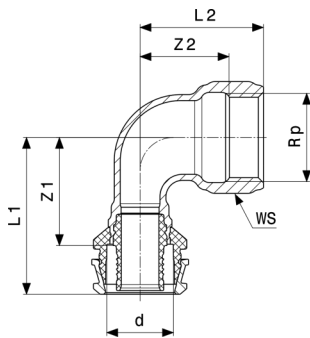


Raxofix adapter elbow 90°
- Silicon bronze
Model 5314

Article	d	R	Z	L1	L2	WS
725 556¹	16	¾	24	39	33	15
645 984	16	½	24	39	37	18
645 991	16	¾	22	37	43	23
646 004	20	½	25	40	36	18
646 011	20	¾	24	39	45	24
646 028	25	¾	30	50	42	24
646 035	25	1	31	51	56	30
646 042¹	32	1	33	53	53	30
646 059¹	40	1¼	45	72	70	38

WS = wrench size

¹⁾ Special item: available ex Germany.

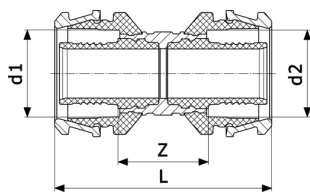


Raxofix adapter elbow 90°
- Silicon bronze
Model 5314.11

Article	d	Rp	Z1	Z2	L1	L2	WS
646 103	16	½	30	16	45	31	25
646 110	20	½	31	23	46	32	25
646 127	20	¾	32	21	47	37	31
646 134	25	¾	35	23	55	39	31
646 141¹	32	1	39	26	59	45	39

WS = wrench size

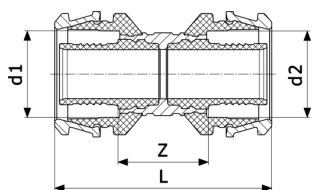
¹⁾ Special item: available ex Germany.



Raxofix coupling
- Silicon bronze
Model 5315

Article	d1	d2	Z	L
646 806	16	16	21	50
646 820	20	16	22	52
646 813	20	20	21	50
646 844	25	16	26	60
646 851	25	20	25	59
646 837	25	25	25	64
646 875	32	20	28	63
646 882	32	25	28	67
646 868	32	32	25	64
781 941¹	40	16	33	74
646 905¹	40	32	31	77
646 899¹	40	40	31	83
646 929¹	50	40	41	93

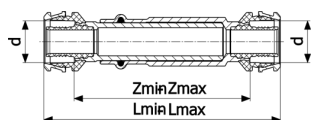
¹⁾ Special item: available ex Germany.



Raxofix coupling
- Silicon bronze
Model 5315

Article	d1	d2	Z	L
646 912 ¹	50	50	39	91
646 943 ¹	63	50	43	98
646 936 ¹	63	63	41	97

¹⁾ Special item: available ex Germany.



Raxofix repair coupling
- Silicon bronze
Model 5315.3

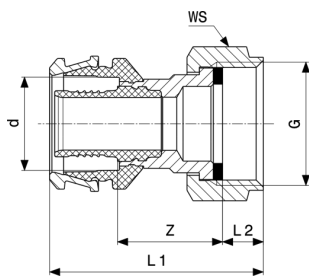
Article	Zmax	Zmin	Lmin	Lmax
692 445	121	85	114	150
692 438	122	85	114	151
646 950	154	104	143	193
646 967	165	111	150	204
646 974	206	136	188	258
646 981	218	152	204	270
646 998	240	164	221	297

Zmax = Z-dimension maximum

Zmin = Z-dimension minimum

Lmin = length minimum

Lmax = length maximum

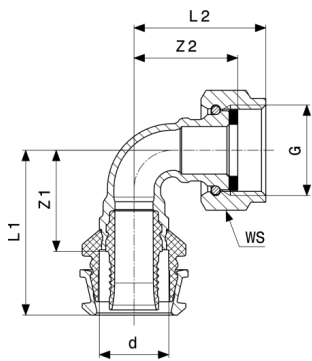


Raxofix connection screw fitting
 - Silicon bronze
Model 5363

Article	d	G	Z	L1	L2	WS
646 400	16	½	19	39	5	23
646 417	16	¾	21	45	9	30
646 424	20	½	25	47	7	24
646 431	20	¾	23	46	9	30
762 759	25	¾	28	57	9	30
646 448	25	1	24	52	9	36
646 455¹	25	1¼	25	57	12	50
646 462¹	25	1½	27	56	10	52
646 486	32	1¼	29	61	12	50
646 493	32	1½	25	54	9	52
646 509¹	40	1¼	33	69	10	46
646 516¹	40	1½	28	64	9	52
646 523¹	50	1¾	33	69	10	60
646 530¹	50	2¾	32	69	11	75
646 547¹	63	2¾	31	70	11	75

WS = wrench size

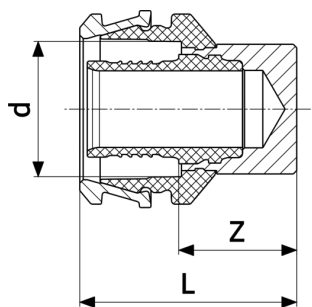
¹⁾ Special item: available ex Germany.



Raxofix connection screw fitting 90°
 - Silicon bronze
Model 5355

Article	d	G	Z1	Z2	L1	L2	WS
646 387	16	½	23	24	38	31	24
646 394	16	¾	23	33	38	41	30

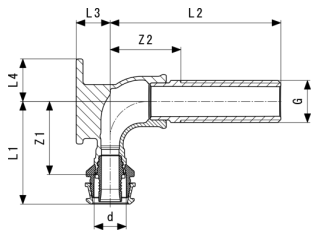
WS = wrench size



Raxofix plug
 - Brass
Model 5356

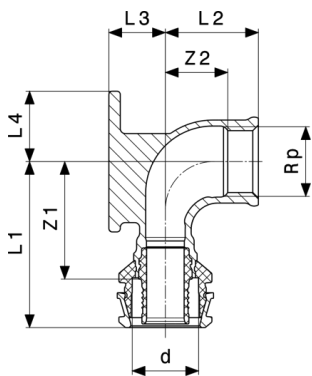
Article	d	Z	L
648 015	16	15	30
648 022	20	17	32
648 039	25	21	41
648 046¹	32	24	44
648 053¹	40	32	59
648 060¹	50	35	62

¹⁾ Special item: available ex Germany.



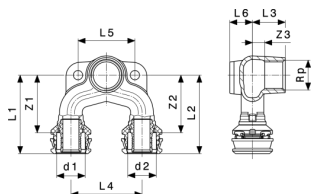
Raxofix wall plate
- Silicon bronze
Model 5327.5

Article	d	G	Z1	Z2	L1	L2	L3	L4
792 725	16	½	36	35	51	85	17	21
792 732	20	½	36	35	51	85	17	21



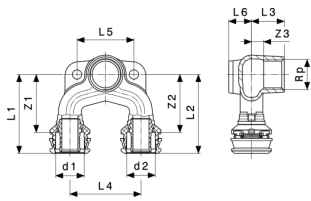
Raxofix wall plate
- Silicon bronze
Model 5325.5

Article	d	Rp	Z1	Z2	L1	L2	L3	L4
645 915	16	½	36	19	51	28	17	21
645 922	20	½	36	19	51	28	17	21
645 939	20	¾	38	19	53	29	17	21



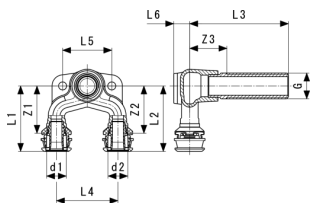
Raxofix Daisy-chain backplated elbow
- Silicon bronze
Model 5325.7

Article	d1	Rp	d2	Z1	Z2	Z3	L1	L2	L3	L4
645 946	16	½	16	38	38	9	53	53	23	50
645 953	20	½	16	42	42	9	57	57	23	50
645 960	20	½	20	40	40	9	55	55	23	50
678 470	25	½	20	52	57	14	72	72	28	50
678 463	25	½	25	52	52	14	72	72	28	50



Raxofix Daisy-chain backplated elbow
- Silicon bronze
Model 5325.7

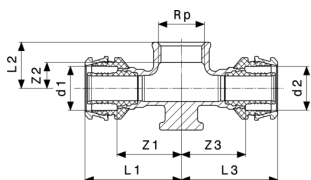
Article	d1	Rp	d2	L5	L6
645 946	16	½	16	40	13
645 953	20	½	16	40	16
645 960	20	½	20	40	16
678 470	25	½	20	40	11
678 463	25	½	25	40	11



Raxofix Daisy-chain backplated elbow
- Silicon bronze
Model 5327.7

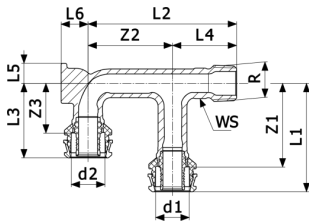
Article	d1	G	d2	Z1	Z2	Z3	L1	L2	L3	L4
792 749	16	½	16	36	38	30	53	53	80	50
792 756	20	½	20	40	40	30	55	55	80	50

Article	d1	G	d2	L5	L6
792 749	16	½	16	40	13
792 756	20	½	20	40	16



Raxofix wall plate T-piece
- Silicon bronze
Model 5325.8

Article	d1	Rp	d2	Z1	Z2	Z3	L1	L2	L3
647 698	16	½	16	28	11	28	43	20	43
647 704	20	½	20	29	12	29	44	21	44
647 711	20	¾	20	32	12	32	47	22	47

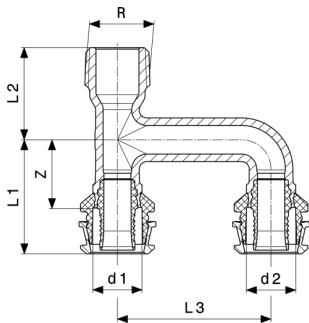


Raxofix Daisy-chain backplated elbow
- Silicon bronze
Model 5325.6

Article	d1	R	d2	Z1	Z2	Z3	L1	L2	L3	L4
724 412	16	½	16	49	50	29	64	88	44	38
724 429	20	½	20	49	50	29	64	88	44	38
724 436	25	½	25	63	55	33	83	104	53	49

Article	d1	R	d2	L5	L6	WS
724 412	16	½	16	12	14	17
724 429	20	½	20	12	16	17
724 436	25	½	25	12	18	17

WS = wrench size



Raxofix extension piece
- Silicon bronze
Model 5326.31

Article	R	Z	L1	L2	L3
647 674	½	22	37	30	50



Imprint

Viega GmbH & Co. KG

Viega Platz 1

57439 Attendorn

Germany

Phone: +49/2722/61-0

Fax: +49/2722/61-1566

The Viega GmbH & Co. KG is represented by the general partners: Viega Management B.V. (Managing directors: Michael Klenz, Sebastian Lelgemann) and Viega Management GmbH (Managing directors: Michael Klenz, Sebastian Lelgemann)

The Submittal Package contains non-binding information that is being provided to you. All contents in the Submittal Package have been compiled with the greatest possible care and attention. Despite this, we are unable to guarantee that the information is up to date, accurate and complete. Placing an order does not automatically render the Submittal Package part of the contract.