

Sanpress

Submittal Package



table of contents

1	Product group description	3
2	Permitted pipes	5
3	Certificates	6
4	Z dimensions	10
5	Imprint	45

Product group description

Flow-optimised press connector system with press connectors made of gunmetal or silicon bronze (change of material due to the current switch of production from gunmetal to the Viega worldwide uniform silicon bronze alloy) and pipes made of stainless steel 1.4401 and 1.4521. Press connectors for protecting the sealing element equipped with cylindrical pipe guide. Press connectors from d76.1 with stainless steel cutting ring to ensure the mechanical strength of the connection. For protection pipes are equipped with pipe plugs. The pressing force is located before and behind the sealing element seat. Suitable for concealed and pre-wall installations of riser pipes and floor installations.

Marking

Manufacturer, pipe dimension, batch, green dot on press end, yellow pipe plug for 1.4401, green pipe plug for 1.4521, detachable orange label as press indicator from d76.1

Press connector with SC-Contur

Inadvertently unpressed connections become visibly leaky when the system is filled.

Viega guarantees the detection of unpressed connections in the following pressure ranges:

Min. water pressure: 0.1 MPa / 100 kPa / 1 bar / 14.5 PSI

Max. water pressure: 0.65 MPa / 650 kPa / 6.5 bar / 94.3 PSI

Min. air pressure: 22 hPa / 2.2 kPa / 22 mbar / 0.3 PSI

Max. air pressure: 0.3 MPa / 300 kPa / 3 bar / 43.5 PSI

Sealing elements

EPDM (ethylene propylene diene rubber), black, pre-assembled

Notice

The sealing materials of the press connector system are subject to thermal ageing, which depends on the media temperature and the operating time.

The higher the media temperature, the faster the thermal ageing of the sealing material progresses.

In the case of special operating conditions, e.g. industrial heat recovery systems, it is necessary to compare the specifications of the appliance manufacturer with the specifications of the press connector system.

Before using the press connector system beyond the areas of application described or if in doubt about the correct selection of material, please contact Viega.

Dimensions

d12–108.0

Tools

The functional safety of Viega press connector systems depends primarily on the faultless condition of the press tools used. Viega recommends the use of Viega press tools for pressing Viega press connectors. Viega press tools have to be regularly maintained by authorised service partners.

Areas of application

Potable water

Rainwater

Compressed air systems

Agriculture

Industrial applications

Note

The press connector system Sanpress is suitable for the creation of potable water installations according to DIN 1988-200 and EN 806-2 in consideration of the selection of material in accordance with DIN EN 12502-1 and according to the evaluation basis for metallic materials in contact with potable water of the Umweltbundesamt (UBA) (German Federal Environment Agency). When used for other areas of use and when in doubt about the right selection of material, please contact Viega. The system components should be protected against high concentrations of chloride generated by both the medium and by external factors. Detailed information about applications, restrictions and national standards and directives can be found in the product information, either printed or on the Viega website.

Note – Standards and approvals

Press connection system with press connectors made of gunmetal or silicon bronze (change of material due to the current switch of production from gunmetal to the Viega worldwide uniform silicon bronze alloy), pipes according to DIN EN 10088, DIN EN 10312, DVGW Worksheet GW 541 and W 534.

Pipe approval for 1.4521 (d12–108.0) according to DW-7301BS0375.

Pipe approval for 1.4401 (d12–108.0) according to DV -7301BS0411.

System approval for 1.4521 (d12–108.0) in accordance with DW-8501BS0377.

System approval for 1.4401 (d12–108.0) in accordance DW-8501AP3032.

For use in heating systems, observe VDI Regulation 2035 and DIN EN 12828.

Special applications

Shipbuilding

Operating conditions

The press connector system Sanpress can be used with the following operating parameters:

Potable water installation according to DIN 1988-200 / DIN EN 806-2

Operating temperature max. 80 °C / 176 °F

Temperature max. 95°C over a period of 60 min.

Heating systems in accordance with DIN EN 12828

Operating temperature max. 105 °C / 221 °F

The press connector system Sanpress is designed for nominal pressure PN 16.

Press connector material

Copper: 99.9 % Cu-DHP

Gunmetal: CC499K

Silicon bronze: CC246E / CuSi4Zn9MnP

Subject to change without prior notice!









Latest Z- and installation dimensions as well as further technical information can be found on the Viega website and have to be checked before purchase, planning, construction work and use. Our products are continuously optimised.










This product description contains important information on choice of product and system, mounting, commissioning as well as intended use and, if required, on maintenance measures. This information on products, their features and application techniques is based on currently valid standards in Europe (e.g. EN) and/or in Germany (e.g. DIN/DVGW). Some passages in the text may refer to technical regulations in Europe/Germany. These should be considered as recommendations for other countries where no corresponding national requirements exist. The relevant national laws, standards, regulations, directives and other technical provisions take priority over the German/European directives specified in this product description: The information herein is not binding for other countries and regions and should be understood as recommendation.










Permitted pipes




pipe material	Model	Article	external Ø	wall thickness
stainless steel	2203	297 824	12	1.0
stainless steel	2203	102 036	15	1.0
stainless steel	2203	289 034	18	1.0
stainless steel	2203	102 708	22	1.2
stainless steel	2203	104 924	28	1.2
stainless steel	2203	108 588	35	1.5
stainless steel	2203	113 001	42	1.5
stainless steel	2203	193 676	54	1.5
stainless steel	2205	615 987	12	1.0
stainless steel	2205	615 994	15	1.0
stainless steel	2205	616 007	18	1.0
stainless steel	2205	616 014	22	1.2
stainless steel	2205	616 021	28	1.2
stainless steel	2205	616 038	35	1.5
stainless steel	2205	616 045	42	1.5
stainless steel	2205	616 557	54	1.5
stainless steel	2203XL	578 626	64.0	2.0
stainless steel	2203XL	354 862	76.1	2.0
stainless steel	2203XL	354 855	88.9	2.0
stainless steel	2203XL	354 848	108.0	2.0
stainless steel	2205XL	616 564	64.0	2.0
stainless steel	2205XL	616 571	76.1	2.0
stainless steel	2205XL	616 588	88.9	2.0
stainless steel	2205XL	616 595	108.0	2.0

Certificates

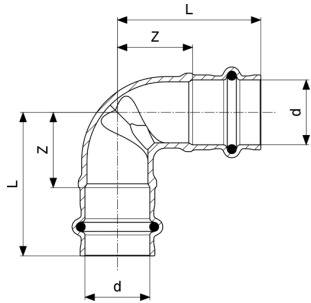
Dubai	Dubai Central Laboratory Department Attestation of Conformity Sanpress pipe 1.4521 and 1.4401
	ÖVGW certificate Sanpress / Profipress
	ÜA sign Raxinox pipes
	ÜA sign Sanpress, Raxofix, Maxiplex, bronze threaded fittings, solder fittings
	SAI Watermark Certificate of Conformity - Level 1 Propress Water, Sanpress and Sanpress Inox
	BCCA Certificate ATG Profipress, Sanpress, Sanpress Inox
AMTEC	AMTEC Certificate Profipress, Sanpress, Sanpress Inox, Prestabo, Megapress, Profipress G, Sanpress Inox G, Megapress G
DEKRA	examination certificate Piping system Sanpress/Sanpress XL
	DVGW type examination certificate Sanpress-pipe 1.4521 (d 12 - 108)
	DVGW type examination certificate Sanpress with pipe 1.4401 (d 12 - 108)
	DVGW type examination certificate Sanpress with pipe 1.4521 (d 12 - 108)

	<p>DVGW type examination certificate Sanpress pipe 1.4401 (d 12 - 108)</p>
	<p>TÜV Association Certificate Profipress, Sanpress, Sanpress Inox, Prestabo (d 15 - 108), Temponox</p>
	<p>ETA Certificate Profipress, Profipress XL, Sanpress, Sanpress XL</p>
	<p>ETA Certificate Sanpress with pipe 1.4401 and 1.4521, (d 12-108)</p>
	<p>Eurofins Certificate Profipress (d 12-54)</p>
	<p>CSTB Certificate Profipress, Sanpress</p>
	<p>CSTB QB Certificate Profipress, Sanpress</p>
	<p>CSTB QB Certificate Profipress, Sanpress</p>
<p>Eurofins</p>	<p>Eurofins Certificate of sanitary conformity Sanpress</p>
<p>BSI</p>	<p>BSI Kitemark Certificate (BS EN 1254-7) Profipress, Profipress G</p>
	<p>Lloyd's Register Type Approval Certificate Sanpress</p>
<p>EMI</p>	<p>EMI certificate Profipress, Sanpress, Easytop, Sanpress Inox, Pexfit Pro Fosta, Smartpress, gunmetal threaded fittings</p>

	<p>IRS Type Approval Certificate Seapress, Sanpress, Sanpress Inox, Profipress</p>
	<p>ICIM Hygiene certificate Profipress, Profipress XL, Sanpress Inox, Sanpress Inox XL, Sanpress, Sanpress XL, Sanfix Fosta, Raxofix, Smartpress, gunmetal threaded fittings, soldered fittings</p>
	<p>KIWA Product certificate Sanpress Inox pipe 1.4521 and 1.4401</p>
	<p>KIWA Product certificate Profipress, Sanpress fittings</p>
	<p>KIWA Product certificate PE-Xc Smartloop pipe</p>
<p>SINTEF</p>	<p>SINTEF Certificate Profipress, Profipress XL</p>
<p>SINTEF</p>	<p>SINTEF Certificate Sanpress with pipe 1.4401 and 1.4521 (d 12-108)</p>
<p>SINTEF</p>	<p>SINTEF Certificate Smartloop</p>
	<p>ITB National Technical Assessment Profipress, Profipress XL, Profipress S</p>
	<p>ITB National Technical Assessment Sanpress Inox, Sanpress Inox XL, Sanpress, Sanpress XL</p>
	<p>ITB National Technical Assessment Profipress, Sanpress</p>
	<p>ITB Certificate of Constancy of Performance Profipress, Sanpress</p>

EITS	EITS Technical Approval Profipress
EITS	EITS Technical Approval Sanpress, Sanpress Inox
	RISE Certificate Sanpress och Sanpress XL fittings
	RISE Certificate Smartloop
	SGBC Certificate Profipress
UKRCERTIFICATION	LLC UKRCertification Certificate of conformity Profipress
UKRCERTIFICATION	LLC UKRCertification Certificate of conformity Sanpress, Sanpress Inox

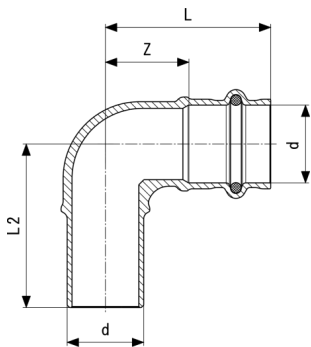
Z dimensions



Sanpress Elbow 90°
- gunmetal or silicon bronze
Model 2216

Article	d	Z	L	Z*	L*
298 340	12	19	37		
103 750	15	17	39	23	45
281 267	18	18	40	24	46
104 818	22	26	49	28	51
106 348	28	32	56	35	58
111 953	35	34	59	48	74
119 560	42	35	71	56	92
199 395	54	43	83	70	110

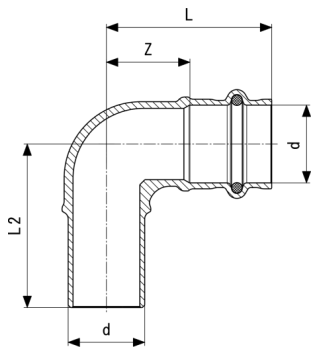
Z* = previous version
L* = length of the previous version



Sanpress Elbow 90°
- gunmetal or silicon bronze
Model 2216.1

Article	d	Z	L1	L2	Z*	L1*	L2*
107 932	15	17	39	41	17	39	41
281 298	18	18	40	43	18	40	43
108 120	22	24	48	47	24	48	47
115 159	28	32	56	60	32	56	60
117 603	35	34	59	66	34	59	66

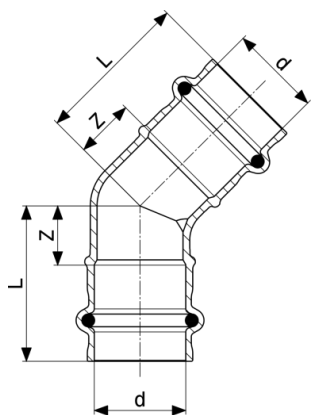
Z* = previous version
L* = length of the previous version



Sanpress Elbow 90°
 - gunmetal or silicon bronze
Model 2216.1

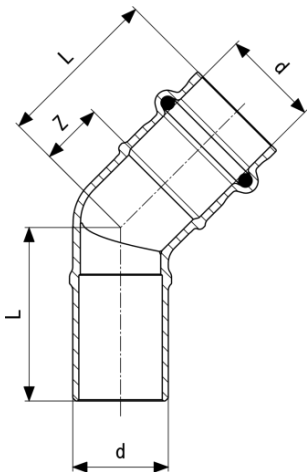
Article	d	Z	L1	L2	Z*	L1*	L2*
130 497	42	35	71	78	35	71	78
191 221	54	43	83	92	43	83	92

Z* = previous version
 L* = length of the previous version



Sanpress Elbow 45°
 - gunmetal or silicon bronze
Model 2226

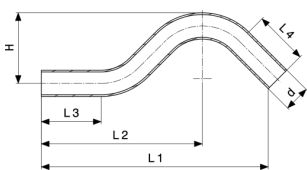
Article	d	Z	L
113 186	15	12	34
281 533	18	11	33
112 004	22	15	38
111 670	28	19	43
116 156	35	24	49
128 531	42	23	59
197 506	54	32	72



Sanpress Elbow 45°
- gunmetal or silicon bronze
Model 2226.1

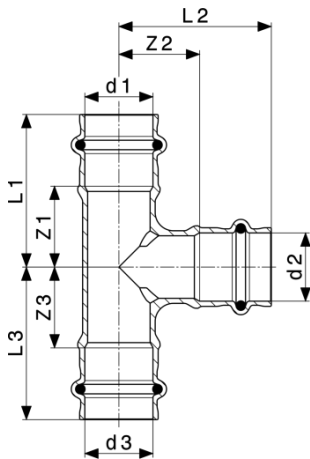
Article	d	Z	L1	L2	Z*	L1*	L2*
109 332	15	12	34	34	12	34	38
281 564	18	11	33	37			
110 949	22	15	38	40			
113 346	28	19	43	45			
121 594	35	24	49	55			
134 471	42	27	63	68			
191 825	54	32	72	78			

Z* = previous version
L* = length of the previous version



Sanpress Crossover
- non-corroding steel
Model 2209.3

Article	d	L1	L2	L3	L4	H
193 324	15	148	104	39	39	48
289 010	18	169	118	45	45	52
193 331	22	190	135	50	45	59
193 294	28	195	138	60	50	67

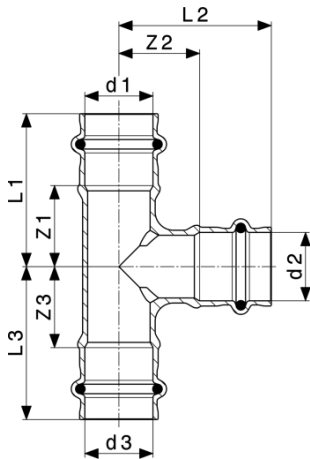


Sanpress T-piece
- gunmetal or silicon bronze
Model 2218

Article	d1	d2	d3	Z1	Z2	Z3	L1	L2	L3	Z1*
313 630	12	15	12	19	18	19	37	40	37	
298 371	15	12	15	21	22	21	43	39	43	
106 614	15	15	15	17	17	17	39	39	39	21
313 647	15	18	15	23	22	23	45	44	45	
298 388	15	22	15	24	23	24	46	47	46	
314 040	18	12	18	21	24	21	43	41	43	
281 397	18	15	15	21	21	20	43	43	42	
281 403	18	15	18	21	21	21	43	43	43	
281 410	18	18	18	23	23	23	45	45	45	
298 395	18	22	18	23	25	23	45	48	45	
314 071	22	12	22	22	22	22	45	40	45	
121 600	22	15	15	27	24	20	50	46	42	
298 432	22	15	18	22	23	20	44	45	44	
109 165	22	15	22	22	24	22	45	46	45	
298 401	22	18	18	22	23	22	44	45	45	
281 380	22	18	22	22	23	22	45	45	45	
298 418	22	22	15	24	27	27	46	50	50	
109 257	22	22	22	27	27	27	50	50	50	
313 623	22	28	22	27	27	27	51	50	51	
283 513	28	15	28	23	27	23	46	49	46	
314 101	28	18	22	27	26	22	50	48	46	
298 425	28	18	28	23	26	23	46	48	46	
135 102	28	22	22	27	29	27	50	53	50	
111 625	28	22	28	27	29	27	50	53	50	

Z* = Z-dimension of the previous version

L* = length of the previous version

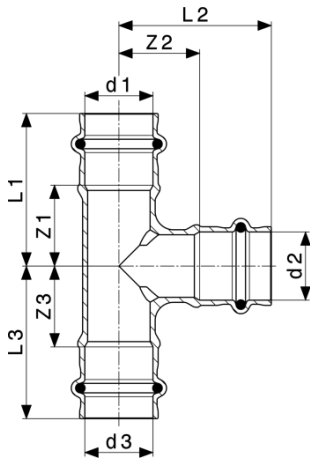


Sanpress T-piece
- gunmetal or silicon bronze
Model 2218

Article	d1	d2	d3	Z1	Z2	Z3	L1	L2	L3	Z1*
314 132	28	28	15	29	29	27	52	52	49	
314 163	28	28	18	29	29	27	52	52	49	
111 915	28	28	28	29	29	29	53	53	53	
283 520	35	15	35	21	31	21	47	53	47	
313 616	35	18	35	22	32	22	47	54	47	
314 194	35	22	28	26	30	24	50	54	50	
113 469	35	22	35	25	33	25	50	57	50	
121 754	35	28	28	27	33	29	53	57	53	
118 341	35	28	35	27	33	27	53	57	53	
115 265	35	35	35	31	28	31	57	53	57	31
314 224	42	15	42	23	35	23	59	57	59	
283 537	42	22	42	23	36	23	59	59	59	
283 544	42	28	42	25	38	25	61	61	61	
283 551	42	35	35	29	37	31	65	62	57	
120 672	42	35	42	29	37	29	65	62	65	
121 259	42	42	42	32	32	32	68	68	68	
195 991	54	22	54	29	41	29	69	64	69	
283 568	54	28	54	29	41	29	69	64	69	
197 469	54	35	54	32	41	32	72	66	72	
187 279	54	42	42	34	39	37	70	75	77	
198 541	54	42	54	37	41	37	77	77	77	
199 364	54	54	54	43	43	43	83	83	83	

Z* = Z-dimension of the previous version

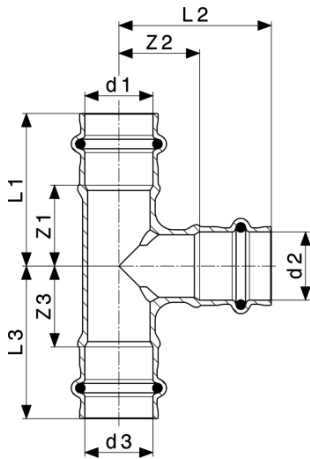
L* = length of the previous version



Sanpress T-piece
- gunmetal or silicon bronze
Model 2218

Article	d1	d2	d3	Z2*	Z3*	L1*	L2*	L3*
313 630	12	15	12					
298 371	15	12	15					
106 614	15	15	15	21	21	43	43	43
313 647	15	18	15					
298 388	15	22	15					
314 040	18	12	18					
281 397	18	15	15					
281 403	18	15	18					
281 410	18	18	18					
298 395	18	22	18					
314 071	22	12	22					
121 600	22	15	15					
298 432	22	15	18					
109 165	22	15	22					
298 401	22	18	18					
281 380	22	18	22					
298 418	22	22	15					
109 257	22	22	22					
313 623	22	28	22					
283 513	28	15	28					
314 101	28	18	22					
298 425	28	18	28					
135 102	28	22	22					
111 625	28	22	28					

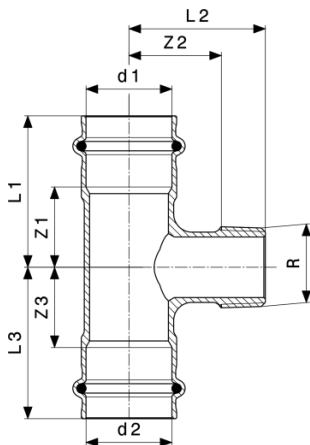
Z* = Z-dimension of the previous version
L* = length of the previous version



Sanpress T-piece
- gunmetal or silicon bronze
Model 2218

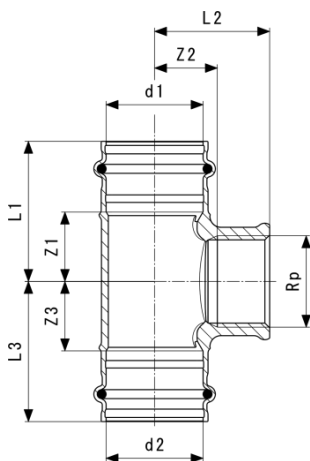
Article	d1	d2	d3	Z2*	Z3*	L1*	L2*	L3*
314 132	28	28	15					
314 163	28	28	18					
111 915	28	28	28					
283 520	35	15	35					
313 616	35	18	35					
314 194	35	22	28					
113 469	35	22	35					
121 754	35	28	28					
118 341	35	28	35					
115 265	35	35	35	31	31	57	57	57
314 224	42	15	42					
283 537	42	22	42					
283 544	42	28	42					
283 551	42	35	35					
120 672	42	35	42					
121 259	42	42	42					
195 991	54	22	54					
283 568	54	28	54					
197 469	54	35	54					
187 279	54	42	42					
198 541	54	42	54					
199 364	54	54	54					

Z* = Z-dimension of the previous version
L* = length of the previous version



Sanpress T-piece
- gunmetal or silicon bronze
Model 2217.1

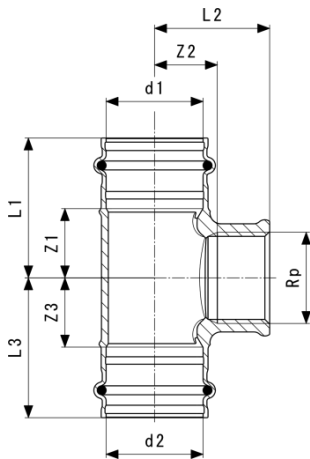
Article	d1	R	d2	Z1	Z2	Z3	L1	L2	L3
194 123	22	3/4	22	27	28	27	50	42	50
194 130	28	3/4	28	27	31	27	50	45	50
194 147	35	3/4	35	25	31	25	50	45	50
273 231	42	3/4	42	19	36	19	55	50	55
197 858	54	3/4	54	26	41	26	66	55	66
310 929	54	1	54	29	46	29	69	63	69
310 936	54	1 1/4	54	32	47	32	72	66	72



Sanpress T-piece
- gunmetal or silicon bronze
Model 2217.2

Article	d1	Rp	d2	Z1	Z2	Z3	L1	L2	L3	SS
290 986	12	1/2	12	23	10	23	40	20	40	26
313 951	15	3/8	15	21	21	21	43	21	43	21
115 630	15	1/2	15	19	11	19	41	21	41	26
281 359	18	1/2	18	18	12	18	40	22	40	26

SS = spanner size
Z* = Z-dimension of the previous version
L* = length of the previous version



Sanpress T-piece
- gunmetal or silicon bronze
Model 2217.2

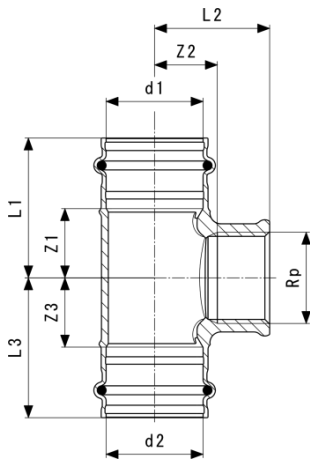
Article	d1	Rp	d2	Z1	Z2	Z3	L1	L2	L3	SS
115 944	22	½	22	19	13	19	42	28	42	25
313 975	22	¾	22	25	16	25	49	33	49	31
119 768	28	½	28	21	17	21	45	32	45	25
313 968	28	¾	28	29	19	29	52	35	53	31
121 945	35	½	35	19	25	19	45	35	45	26
361 204	35	1	35	26	23	26	51	42	51	38
126 230	42	½	42	19	35	19	55	50	55	28
361 211	42	1	42	24	31	24	60	50	60	38
197 353	54	½	54	26	40	26	66	55	66	28
361 228	54	1	54	29	47	29	69	66	69	39

Article	d1	Rp	d2	Z1*	Z2*	Z3*	L1*	L2*	L3*
290 986	12	½	12						
313 951	15	⅝	15						
115 630	15	½	15	23	9	23	45	21	45
281 359	18	½	18	23	25	23	45	40	45
115 944	22	½	22	25	28	25	49	43	49
313 975	22	¾	22						
119 768	28	½	28	25	31	25	49	46	49
313 968	28	¾	28						
121 945	35	½	35	23	34	23	49	49	49
361 204	35	1	35	26	23	26			
126 230	42	½	42						
361 211	42	1	42	29	37	29	65	59	65

SS = spanner size

Z* = Z-dimension of the previous version

L* = length of the previous version



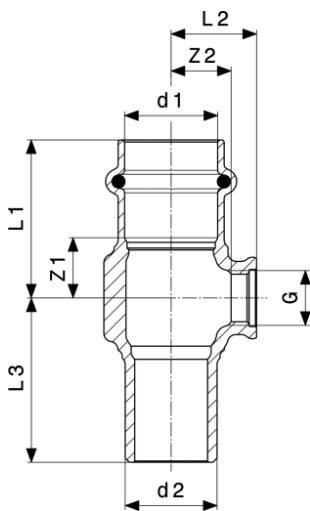
Sanpress T-piece
- gunmetal or silicon bronze
Model 2217.2

Article	d1	Rp	d2	Z1*	Z2*	Z3*	L1*	L2*	L3*
197 353	54	½	54						
361 228	54	1	54						

SS = spanner size

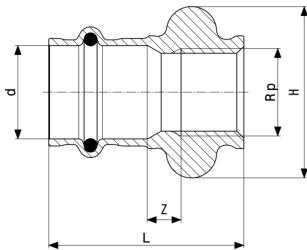
Z* = Z-dimension of the previous version

L* = length of the previous version



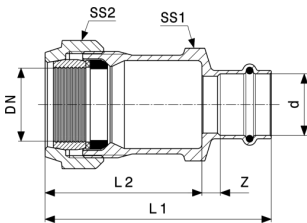
Sanpress T-piece
- gunmetal or silicon bronze
Model 2217.4

Article	d1	G	d2	Z1	Z2	L1	L2	L3
705 596	15	¼	15	14	11	36	18	38
705 602	18	¼	18	14	12	36	19	38
705 619	22	¼	22	15	14	38	21	40
705 626	28	¼	28	17	17	40	24	41
705 633	35	¼	35	15	21	40	28	44
705 640	42	¼	42	16	26	52	32	61
705 855	54	¼	54	20	33	60	39	65



Sanpress Adapter
- gunmetal or silicon bronze
Model 2212.3

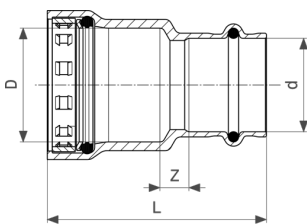
Article	d	Rp	Z	L	H
287 016	15	½	8	45	41
298 913	18	½	9	46	41
287 009	22	½	8	47	41



Sanpress Adapter union
- gunmetal or silicon bronze
Model 2215.6

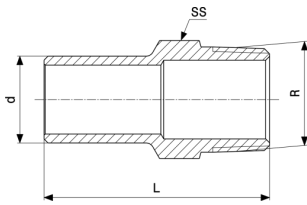
Article	DN	d	Z	L1	L2	SS1	SS2
588 564	25	28	9	104	73	50	55
588 328	32	35	9	112	73	68	70

SS = spanner size



Megapress Adapter
- silicon bronze
Model 4213.2

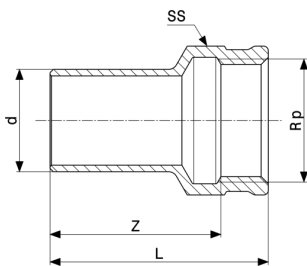
Article	DN	D	d	Z	L
736 255	15	½	15	5	55
754 679	15	½	18	4	54
736 279	20	¾	22	5	58
736 293	25	1	28	9	67
736 309	32	1¼	35	6	78
736 316	40	1½	42	7	90
736 323	50	2	54	8	98



Sanpress Plug-in piece
- gunmetal or silicon bronze
Model 2211.1

Article	d	R	L	SS
291 310	12	½	47	22
115 418	15	½	49	22
285 081	18	½	50	22
285 104	18	¾	56	27
119 676	22	½	53	22
116 767	22	¾	58	27
122 034	28	1	62	34
125 288	35	1¼	66	43
132 231	42	1½	78	50

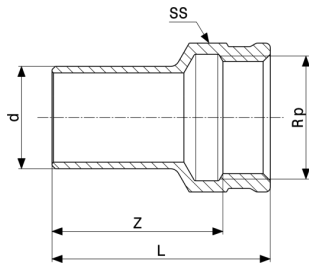
SS = spanner size



Sanpress Plug-in piece
- gunmetal or silicon bronze
Model 2212.1

Article	d	Rp	Z	L	SS
291 341	12	½	31	40	25
117 733	15	½	34	44	25
287 085	18	½	34	43	25
287 108	18	¾	35	45	31
120 917	22	½	36	45	25
117 481	22	¾	37	47	31
130 954	28	¾	37	47	31
122 942	28	1	39	51	38
134 730	35	1	42	54	38
130 589	35	1¼	46	59	47
135 430	42	1½	57	70	53

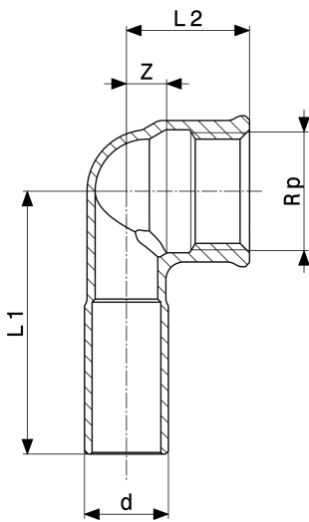
SS = spanner size



Sanpress Plug-in piece
- gunmetal or silicon bronze
Model 2212.1

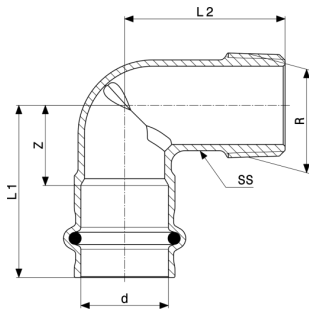
Article	d	Rp	Z	L	SS
199 104	54	2	63	80	70

SS = spanner size



Sanpress Plug-in elbow 90°
- gunmetal or silicon bronze
Model 2214.3

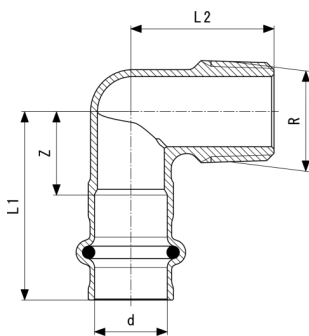
Article	d	Rp	Z	L1	L2
308 001	15	½	12	47	22



Sanpress Adapter elbow 90°
- gunmetal or silicon bronze
Model 2214

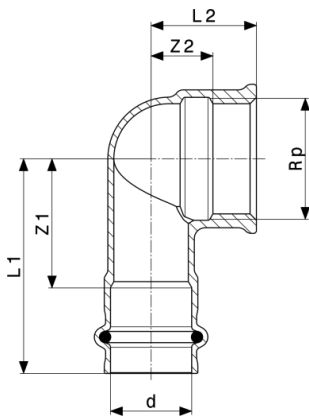
Article	d	R	Z	L1	L2	SS	Z*	L1*	L2*
290 863	12	3/8	14	31	31	15	19	37	40
290 870	12	1/2	19	37	37	17	19	37	44
314 361	15	3/8	18	40	40	17	23	45	47
112 950	15	1/2	17	39	35	19	23	45	43
443 030	15	3/4	24	46	55	25	29	51	59
115 623	22	3/4	21	44	41	25	28	51	59
118 730	28	1	35	58	58	31			72
127 329	35	1 1/4	33	58	58	39	48	74	88
128 500	42	1 1/2	29	65	60	51	20	42	42
197 988	54	2	43	83	80	55	70	110	120

SS = spanner size
Z* = previous version
L* = length of the previous version



Sanpress Adapter elbow 90°
- gunmetal or silicon bronze
Model 2214.1

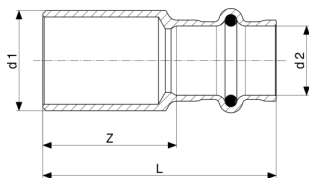
Article	d	R	Z	L1	L2
335 281	15	1/2	18	40	30



Sanpress Adapter elbow 90°
- gunmetal or silicon bronze
Model 2214.2

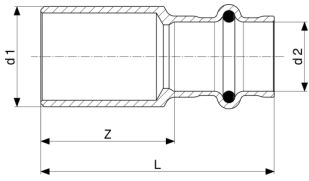
Article	d	Rp	Z1	Z2	L1	L2	Z1*	Z2*	L1*	L2*
290 924	12	3/8	21	9	38	17				
290 931	12	1/2	23	10	40	20				
298 241	15	3/8	24	11	46	19				
108 441	15	1/2	22	12	44	22	24	12	46	22
314 385	15	3/4	28	14	50	25				
298 234	22	1/2	29	16	52	26				
283 711	22	3/4	29	16	52	27				
314 378	22	1	36	17	59	29				
442 033	28	1/2	33	23	56	32				
446 611	28	3/4	35	16	58	27				
283 728	28	1	36	20	59	33				
283 704	35	1 1/4	41	25	66	39				
299 415	42	1 1/2	41	29	77	43				
299 422	54	2	57	37	97	55				

Z* = Z-dimension of the previous version
L* = length of the previous version



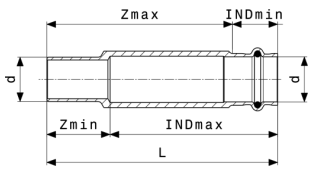
Sanpress Coupling
- gunmetal or silicon bronze
Model 2215

Article	d	Z	L
308 636	12	5	40
107 727	15	7	51
282 660	18	8	52



Sanpress Coupling
- gunmetal or silicon bronze
Model 2215

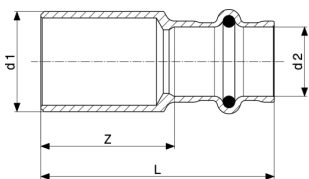
Article	d	Z	L
108 090	22	8	55
108 618	28	11	58
114 930	35	10	61
116 835	42	4	76
215 835	54	10	90



Sanpress Slip coupling
- gunmetal or silicon bronze
Model 2215.4

Article	d	L	INDmax	INDmin	Zmax	Zmin
588 533	22	115	84	23	90	32
588 540	28	125	93	26	93	32
588 557	35	135	100	25	99	36

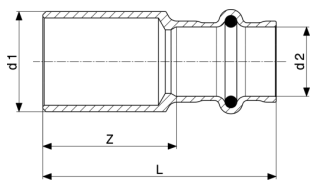
INDmin = insertion depth minimum
Zmax = Z-dimension maximum
Zmin = Z-dimension minimum



Sanpress Reducer
- gunmetal or silicon bronze
Model 2215.1

Article	d1	d2	Z	L	Z*	L*
298 302	15	12	28	45		
287 344	18	12	27	45		44
287 375	18	15	30	52		
366 865	22	12	30	47	26	43
108 250	22	15	30	52	29	51

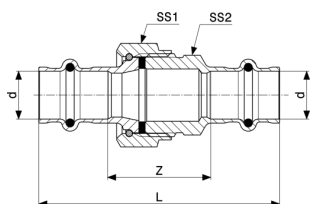
Z* = previous version
L* = length of the previous version



Sanpress Reducer
- gunmetal or silicon bronze
Model 2215.1

Article	d1	d2	Z	L	Z*	L*
287 337	22	18	29	51	27	49
288 228	28	15	32	54		
298 319	28	18	30	52		
109 974	28	22	32	55		
115 753	35	22	39	62		
116 934	35	28	38	61		
287 368	42	22	52	75		
124 489	42	28	54	77		
122 775	42	35	47	72		
287 351	54	22	66	90		
194 239	54	28	67	90		
194 222	54	35	65	90		
198 879	54	42	60	96		

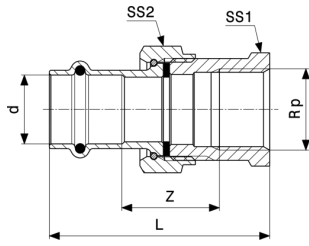
Z* = previous version
L* = length of the previous version



Sanpress Screw fitting
- gunmetal or silicon bronze
Model 2260

Article	d	Z	L	SS1	SS2
293 017	12	30	65	24	30
126 148	15	33	77	24	30
287 436	18	36	80	24	30
126 124	22	42	89	31	37
124 311	28	48	95	40	46
130 947	35	49	100	45	53
132 446	42	49	121	50	60
226 329	54	49	129	70	78

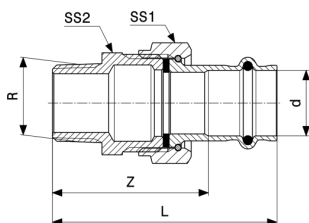
SS = spanner size



Sanpress Adapter union
- gunmetal or silicon bronze
Model 2262

Article	d	Rp	Z	L	SS1	SS2
293 024	12	½	23	56	27	30
131 937	15	½	26	63	27	30
133 160	15	¾	33	66	31	30
283 384	18	½	28	65	27	30
314 910	18	¾	36	68	31	30
125 318	22	¾	32	72	34	37
133 900	22	1	42	78	40	37
365 103	28	¾	23	63	32	46
128 975	28	1	33	76	44	46
138 875	35	1¼	36	83	50	53
141 745	42	1½	38	96	56	60
222 017	54	2	27	84	66	78

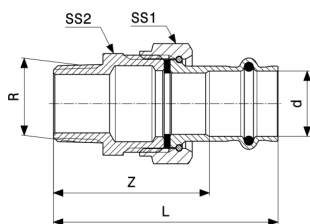
SS = spanner size



Sanpress Adapter union
- gunmetal or silicon bronze
Model 2265

Article	d	R	Z	L	SS1	SS2
291 372	12	⅜	40	58	30	27
291 389	12	½	44	61	30	27
120 108	15	½	46	68	30	27
140 878	15	¾	47	69	30	27
283 360	18	½	49	71	30	27
283 377	18	¾	50	72	30	27
142 674	22	½	50	74	37	34
119 133	22	¾	54	77	37	34

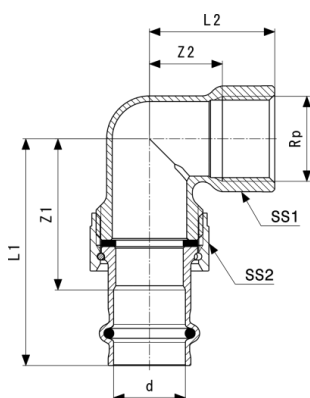
SS = spanner size



Sanpress Adapter union
- gunmetal or silicon bronze
Model 2265

Article	d	R	Z	L	SS1	SS2
148 492	22	1	54	78	37	34
365 110	28	¾	58	82	46	44
120 047	28	1	59	83	46	44
128 425	35	1¼	63	89	53	50
135 966	42	1½	69	105	60	55
221 997	54	2	67	107	78	70

SS = spanner size

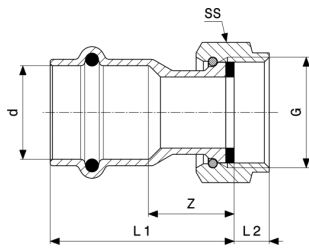


Sanpress Adapter union 90°
- gunmetal or silicon bronze
Model 2255

Article	d	Rp	Z1	Z2	L1	L2	SS1	SS2
292 980*	12	½	36	18	53	33	28	30
125 660	15	½	38	18	60	33	28	30
283 469	18	½	41	17	63	28	28	30
283 452	18	¾	43	22	65	33	33	36
122 614	22	¾	47	22	71	33	33	37
132 637	22	1	50	25	74	44	40	37
128 159	28	1	57	28	81	47	39	46
132 729	35	1¼	60	35	85	57	47	53
139 872	42	1½	72	38	108	59	55	60
221 676	54	2	74	43	114	69	69	78

SS = spanner size

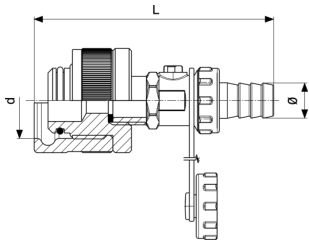
* = Discontinued, limited availability



Sanpress Connection screw fitting
 - gunmetal or silicon bronze
Model 2263

Article	VdS	d	G	Z	L1	L2	SS
475 956		12	¾	17	35	7	22
380 878		12	½	13	31	7	24
293 611		12	¾	10	27	9	30
475 963		15	¾	19	41	7	22
380 885		15	½	15	37	7	24
265 663		15	¾	12	34	8	30
305 000		15	1	11	33	8	36
424 534		15	1¼	14	36	12	50
351 502		22	¾	21	44	8	30
265 687	✓	22	1	16	39	8	37
367 015	✓	22	1¼	13	37	11	50
305 260	✓	22	1½	13	37	8	52
692 629		28	1	19	42	8	37
265 700	✓	28	1¼	18	42	10	46
305 048	✓	28	1½	15	39	11	52
265 731	✓	35	1½	18	44	10	53
305 024	✓	35	2	14	39	12	65
265 304	✓	42	1¾	22	58	11	60
305 031	✓	42	2	20	56	14	66
426 743	✓	54	2¼	22	62	14	72
265 328	✓	54	2¾	13	53	12	78
341 961	✓	54	2½	17	57	16	88
426 750	✓	54	2¾	16	56	17	88

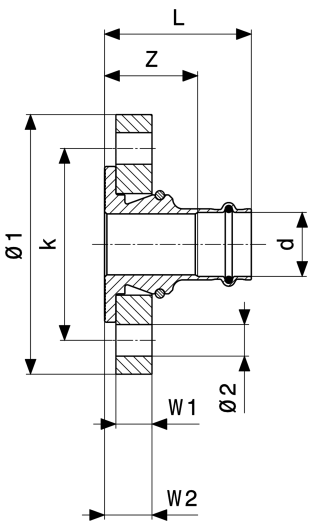
VdS = VdS certification
 SS = spanner size



Pressure test plug
- brass
Model 2269

Article	d	L	Ø
141 523	15	120	15
289 423	18	120	15
140 557	22	119	15
142 568	28	131	15
144 111	35	102	15
144 999	42	107	15
187 798	54	127	15

Ø = diameter



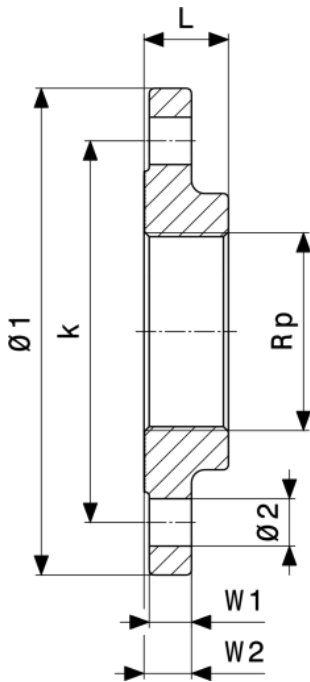
Sanpress Flange transition
- gunmetal or silicon bronze
Model 2259.5

Article	DN	d	Z	L	W1	W2	Ø1	Ø2	k	n
479 855	25	28	42	65	16	21	115	14	85	4
479 879	32	35	45	70	16	21	140	18	100	4
479 886	40	42	47	83	16	21	150	18	110	4
479 893	50	54	50	90	16	21	165	18	125	4

Ø = diameter

k = bolt circle diameter

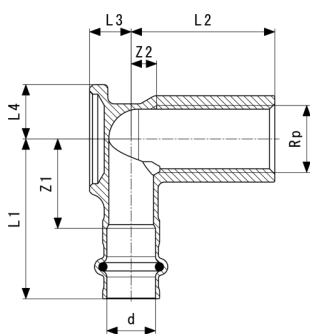
n = number of holes



Sanpress XL Flange
 - gunmetal or silicon bronze
Model 2259.2XL

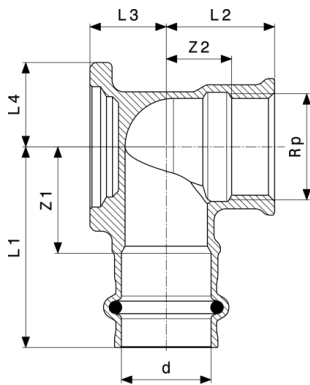
Article	DN	Rp	Ø1	L	W1	W2	Ø2	k	n
641 597	65	2½	185	32	16	18	18	145	8
641 603	80	3	200	34	18	20	18	160	8
641 610	100	4	220	38	18	20	18	180	8

Ø = diameter
 k = bolt circle diameter
 n = number of holes



Sanpress Wall plate
 - gunmetal or silicon bronze
Model 2225

Article	d	Rp	L	Z1	Z2	L1	L2	L3	L4
116 552	15	½	45	28	8	50	45	13	21

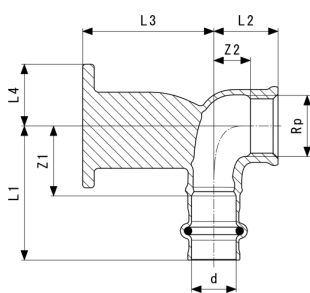


Sanpress Wall plate
- gunmetal or silicon bronze
Model 2225.5

Article	d	Rp	Z1	Z2	L1	L2	L3	L4	Z1*	Z2*
291 013	12	½	23	10	40	20	11	18		
107 345	15	½	22	12	44	22	13	17	24	12
335 229	22	½	27	14	50	24	18	18		
116 057	22	¾	27	16	50	27	19	21		

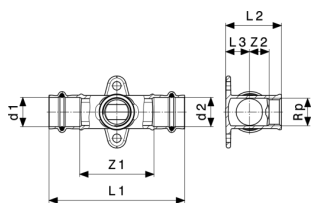
Article	d	Rp	L1*	L2*	L3*	L4*
291 013	12	½				
107 345	15	½	46	21	13	22
335 229	22	½				
116 057	22	¾				

Z* = Z-dimension of the previous version
L* = length of the previous version



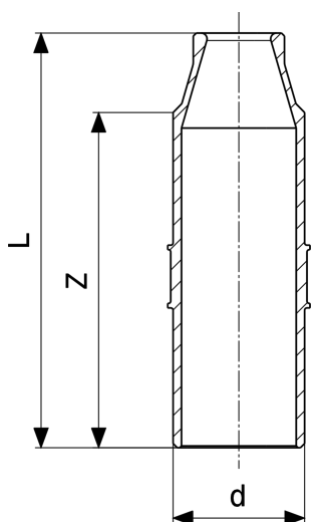
Sanpress Wall plate
- gunmetal or silicon bronze
Model 2225.6

Article	d	Rp	Z1	Z2	L1	L2	L3	L4
347 307	15	½	24	13	46	22	45	21



Sanpress Wall plate T-piece
 - gunmetal or silicon bronze
Model 2217.3

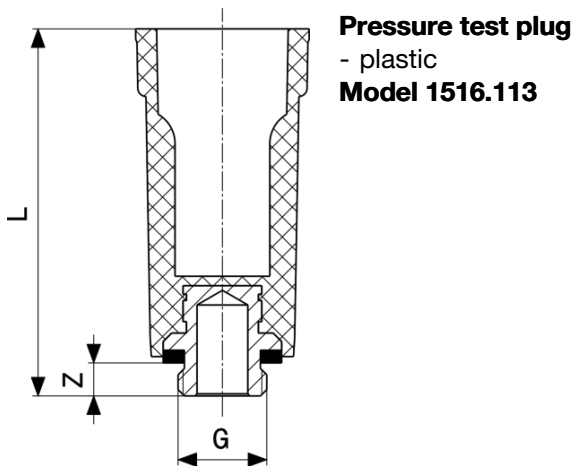
Article	d1	Rp	d2	Z1	Z2	L1	L2	L3
644 864	15	½	15	48	14	92	36	13
625 726	22	½	22	57	15	104	43	19



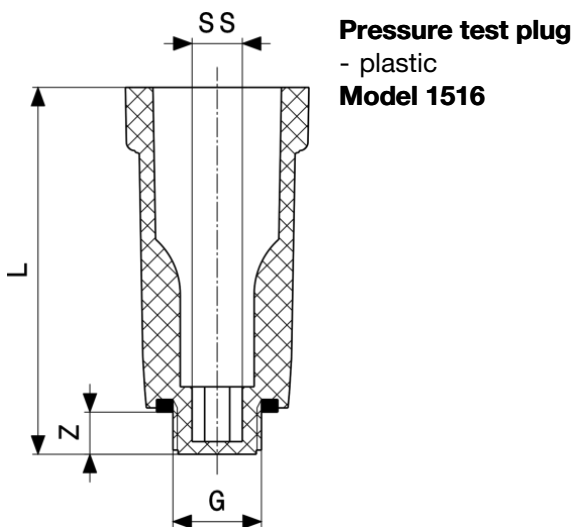
Press-in nozzle
 - gunmetal or silicon bronze
Model 2211.5

Article	d	Z	L
695 835	22	54	69
695 842	28	57	74
696 252	35	61	77
696 269	42	81	100
696 276	54	89	113
696 283*	64	103	122

* = Discontinued, limited availability

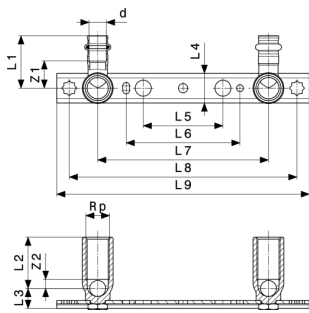


Article	G	Z	L
116 644	3/8	7	85
100 766	1/2	11	92
107 666	3/4	9	87



Article	G	Z	L	SS
107 796	3/8	10	87	8
100 124	1/2	10	87	10
102 746	3/4	13	90	14

SS = spanner size

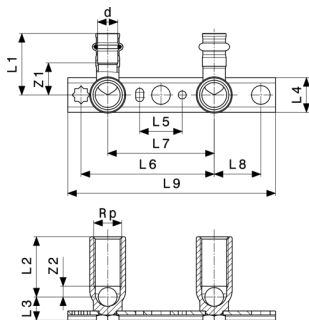


**Sanpress Mounting unit
Model 2221**

Article	d	Rp	L	DG	Z1	Z2	L1	L2	L3	L4
124 502	15	½	45	150/200	24	8	46	45	18	26

Article	d	Rp	L	DG	L5	L6	L7	L8	L9
124 502	15	½	45	150/200	70	100	150	200	222

DG = depth gauge

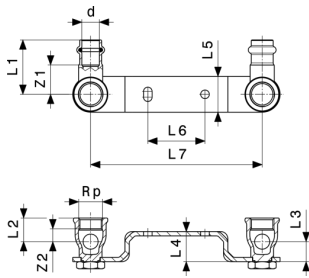


**Sanpress Mounting unit
Model 2221.1**

Article	d	Rp	L	DG	Z1	Z2	L1	L2	L3	L4
135 119	15	½	45	80/100	24	8	46	45	18	26

Article	d	Rp	L	DG	L5	L6	L7	L8	L9
135 119	15	½	45	80/100	32	100	80	35	156

DG = depth gauge

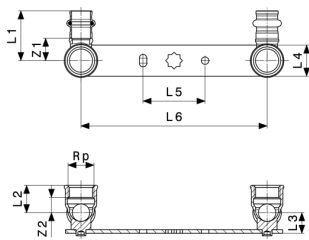


**Sanpress Mounting unit
Model 2222.6EX**

Article	d	Rp	DG	Z1	Z2	L1	L2	L3	L4	L5
357 351	12	¾	120	21	9	38	17	14	21	25

Article	d	Rp	DG	L6	L7
357 351	12	¾	120	40	120

DG = depth gauge

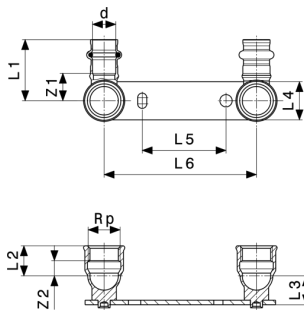


**Sanpress Mounting unit
Model 2222.05**

Article	d	Rp	DG	Z1	Z2	L1	L2	L3	L4	L5
308 681	15	½	150	18	12	40	22	17	25	50

Article	d	Rp	DG	L6
308 681	15	½	150	150

DG = depth gauge

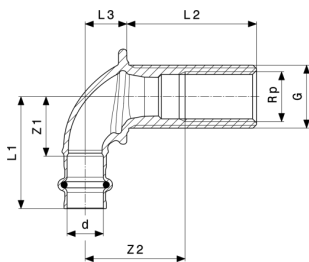


**Sanpress Mounting unit
Model 2222.2**

Article	d	Rp	DG	Z1	Z2	L1	L2	L3	L4	L5
308 674	15	½	100	18	12	40	22	17	25	55

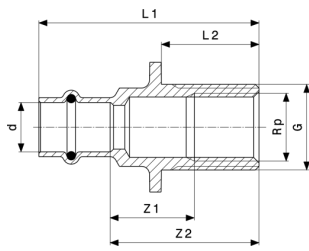
Article	d	Rp	DG	L6
308 674	15	½	100	100

DG = depth gauge



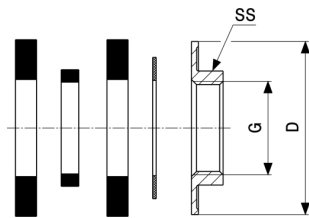
**Sanpress Wall lead-in
- gunmetal or silicon bronze
Model 2232.1**

Article	d	Rp	G	L	Z1	Z2	L1	L2	L3
279 301	15	½	¾	25	25	27	47	25	18
279 318	15	½	¾	35	25	22	47	35	18
279 288	15	½	¾	55	25	42	47	55	18
279 295	15	½	¾	65	25	52	47	65	18



Sanpress Wall lead-in
- gunmetal or silicon bronze
Model 2232.3

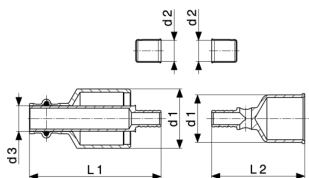
Article	d	Rp	G	L	Z1	Z2	L1	L2
325 060	15	½	¾	30	26	46	68	31



Mounting set
Model 1526.414-897

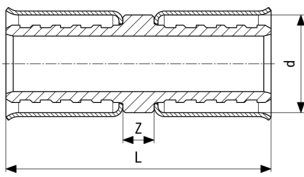
Article	G	SS	D
104 887	¾	29	49

SS = spanner size
D = External diameter



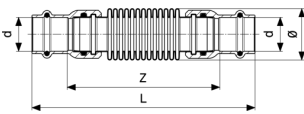
Smartloop Connection set
- gunmetal or silicon bronze
Model 2276.1

Article	d1	d2	d3	L1	L2
632 229	28/35	12	15	78	55
470 289	28	12	15	78	55
470 272	35	12	15	78	59



**Smartloop Coupling
Model 2276.8**

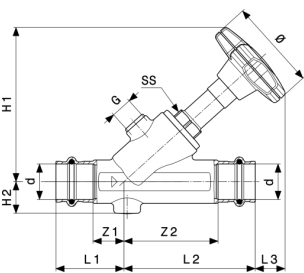
Article	for d	Z	L
643 188	12	4	34



**Compensator
Model 2251**

Article	d	Z	L	Ø
690 250	15	100	144	25
690 267	18	104	148	27
690 274	22	102	149	34
690 281	28	121	168	41
690 298	35	123	174	50
690 304	42	127	199	60
690 311	54	137	217	72

Ø = diameter

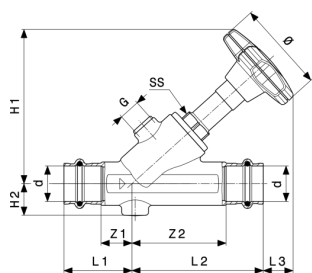


**Easytop Slanted seat valve
Model 2237.5**

Article	DN	d	Z1	Z2	L1	L2	L3	H1	H2	Ø
756 864	15	15	15	46	37	68	19	84	16	60
756 871	15	18	15	46	37	68	19	84	18	60
756 888	20	22	20	60	43	83	17	96	20	60
756 895	25	28	23	66	46	89	31	115	23	73
756 901	32	35	25	80	50	105	32	131	27	73
756 918	40	42	29	84	65	120	41	154	31	98

Ø = diameter

SS = spanner size

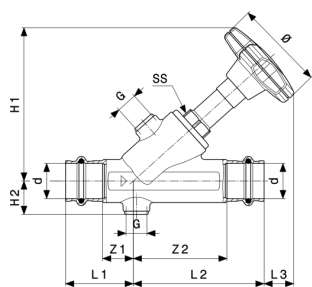


**Easytop Slanted seat valve
Model 2237.5**

Article	DN	d	Z1	Z2	L1	L2	L3	H1	H2	Ø
756 925	50	54	30	105	70	145	43	178	37	98

Article	DN	d	G	SS
756 864	15	15	¼	19
756 871	15	18	¼	19
756 888	20	22	¼	19
756 895	25	28	¼	27
756 901	32	35	¼	27
756 918	40	42	¼	39
756 925	50	54	¼	32

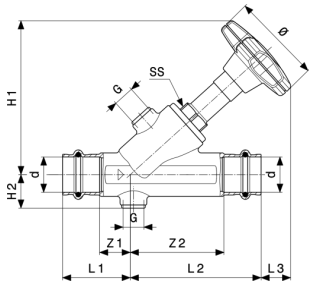
Ø = diameter
SS = spanner size



**Easytop KRV slanted seat valve
Model 2238.5**

Article	DN	Z1	Z2	L1	L2	L3	H1	H2	Ø	G
757 199	15	15	46	37	68	20	85	17	60	¼
757 205	15	15	46	37	68	20	85	19	60	¼
757 212	20	20	60	43	83	17	96	21	60	¼
757 229	25	23	66	46	89	32	116	24	73	¼
757 236	32	25	80	50	105	33	131	28	73	¼
757 243	40	29	84	65	120	36	149	32	98	¼
757 250	50	30	105	70	145	35	171	38	98	¼

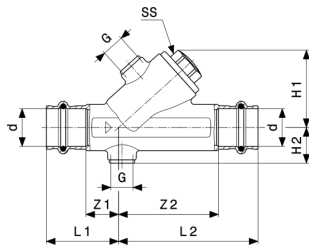
Ø = diameter
SS = spanner size



**Easytop KRV slanted seat valve
Model 2238.5**

Article	DN	SS
757 199	15	19
757 205	15	19
757 212	20	19
757 229	25	27
757 236	32	27
757 243	40	32
757 250	50	32

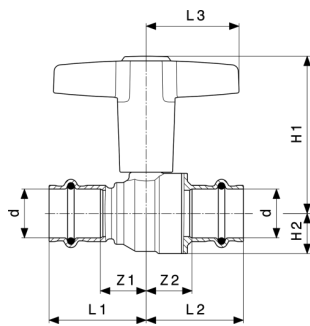
Ø = diameter
SS = spanner size



**Easytop Backflow preventer
Model 2239.4**

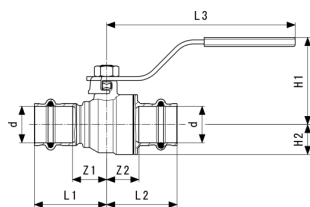
Article	DN	d	Z1	Z2	L1	L2	H1	H2	G	SS
757 526	15	15	15	46	37	68	41	17	¼	19
757 533	15	18	15	46	37	68	41	19	¼	19
757 540	20	22	20	60	43	83	46	21	¼	19
757 557	25	28	23	66	46	89	59	24	¼	27
757 564	32	35	25	80	50	105	67	28	¼	27
757 571	40	42	29	84	65	120	78	32	¼	32
757 588	50	54	30	105	70	145	90	38	¼	32

SS = spanner size



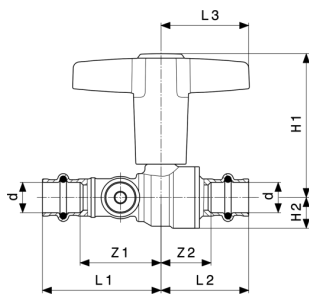
**Easytop Ball valve
Model 2275**

Article	DN	d	Z1	Z2	L1	L2	L3	H1	H2
746 377	15	15	20	20	42	42	43	69	15
746 384	15	18	20	20	42	42	43	69	15
746 391	20	22	21	20	45	43	43	72	18
746 407	25	28	26	26	49	50	51	91	22
746 414	32	35	34	27	59	52	51	97	28
746 421	40	42	37	32	73	68	60	119	34
746 438	50	54	44	38	84	78	60	127	41

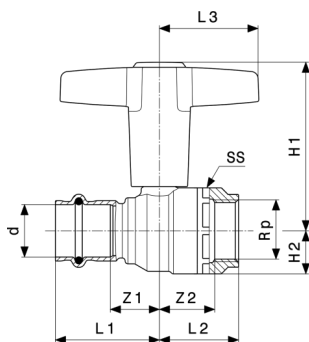


**Easytop Ball valve
- silicon bronze
Model 2275.10**

Article	Z1	Z2	L1	L2	L3	H1	H2
774 851	20	20	42	42	116	51	15
774 868	20	20	42	42	116	51	15
774 875	21	20	45	43	116	53	18
774 882	26	26	49	50	147	63	22
774 899	30	27	55	52	147	68	28
774 905	37	32	73	68	156	77	34
774 912	44	38	84	78	156	84	42


**Easytop Ball valve
Model 2275.3**

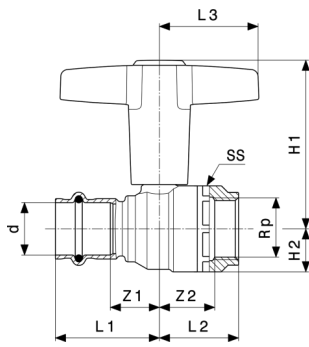
Article	DN	d	Z1	Z2	L1	L2	L3	H1	H2
746 681	15	15	35	20	57	42	43	69	15
746 698	15	18	34	20	56	42	43	69	15
746 704	20	22	38	20	62	43	43	72	18
746 711	25	28	43	26	66	50	51	91	22
746 728	32	35	57	27	82	52	51	97	28
746 735	40	42	62	32	98	68	60	119	34
746 742	50	54	70	38	110	78	60	127	42


**Easytop Ball valve
Model 2275.4**

Article	DN	d	Rp	Z1	Z2	L1	L2	L3	H1	H2
746 759	15	15	½	20	24	42	33	43	69	15
746 766	15	18	½	20	24	42	33	43	15	15
746 773	20	22	¾	21	22	45	34	43	72	18
746 780	25	28	1	26	29	49	41	51	91	22
746 797	32	35	1¼	30	34	55	48	51	97	28
746 803	40	42	1½	37	39	73	52	60	119	34
746 810	50	54	2	44	45	84	62	60	127	42

Article	DN	d	Rp	SS
746 759	15	15	½	28

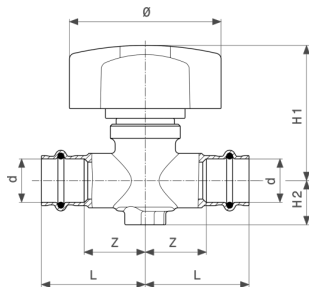
SS = spanner size



**Easytop Ball valve
Model 2275.4**

Article	DN	d	Rp	SS
746 766	15	18	½	28
746 773	20	22	¾	35
746 780	25	28	1	43
746 797	32	35	1¼	49
746 803	40	42	1½	57
746 810	50	54	2	70

SS = spanner size



**Easytop Free-flow valve
Model 2278**

Article	d	Z	L	H1	H2	Ø
747 312	15	32	54	70	23	79
747 329	18	31	53	70	23	79
747 336	22	31	55	70	23	79

Ø = diameter

Imprint

Viega GmbH & Co. KG

Viega Platz 1
57439 Attendorn
Germany
Phone: +49/2722/61-0
Fax: +49/2722/61-1566

The Viega GmbH & Co. KG is represented by the general partners: Viega Management B.V. (Managing directors: Michael Klenz, Sebastian Lelgemann) and Viega Management GmbH (Managing directors: Michael Klenz, Sebastian Lelgemann)

The Submittal Package contains non-binding information that is being provided to you. All contents in the Submittal Package have been compiled with the greatest possible care and attention. Despite this, we are unable to guarantee that the information is up to date, accurate and complete. Placing an order does not automatically render the Submittal Package part of the contract.