

Viega Smartpress

Submittal Package



table of contents

1	Product group description	3
2	Permitted pipes	5
3	Certificates	7
4	Z dimensions	10
5	Imprint	31

Product group description

Flow-optimised press connector system with press connectors made of gunmetal and stainless steel and multi-layer pipes. Multi-layer pipe, dimensionally stable, oxygen seal, colour: white. Press connectors with PPSU support body to ensure the leak tightness and mechanical strength of the connection. Safe and fast connection without widening or calibration of the pipe ends through O-ring-free press technology in all pipe dimensions. For protection pipes are equipped with pipe plugs. Suitable for concealed and pre-wall installations of riser pipes and floor installations.

Multi-layer pipe

Exterior colour white

Suitable for potable water and heating installations

Marking

Manufacturer, pipe dimension, batch, green dot on press end, system approvals

Press connector with SC-Contur

Inadvertently unpressed connections become visibly leaky when the system is filled.

Viega guarantees the detection of unpressed connections in the following pressure ranges:

Min. water pressure: 0.1 MPa / 100 kPa / 1 bar / 14.5 PSI

Max. water pressure: 0.65 MPa / 650 kPa / 6.5 bar / 94.3 PSI

Min. air pressure: 22 hPa / 2.2 kPa / 22 mbar / 0.3 PSI

Max. air pressure: 0.3 MPa / 300 kPa / 3 bar / 43.5 PSI

Dimensions

d16–63

Tools

The functional safety of Viega press connector systems depends primarily on the faultless condition of the press tools used. Viega recommends the use of Viega press tools for pressing Viega press connectors. Viega press tools have to be regularly maintained by authorised service partners.

Areas of application

Potable water

Heating systems

Rainwater

Compressed air systems

Note

The press connector system Viega Smartpress is suitable for the creation of potable water installations according to DIN 1988-200 and EN 806-2 in consideration of the selection of material in accordance with DIN EN 12502-1 and according to the evaluation basis for metallic materials in contact with potable water of the Umweltbundesamt (UBA) (German Federal Environment Agency). When used for other areas of use and when in doubt about the right selection of material, please contact Viega. Detailed information about applications, restrictions and national standards and directives can be found in the product information, either printed or on the Viega website.

Operating conditions for potable water installations

Operating temperature max. 70 °C / 158 °F

Operating pressure max. 1.0 MPa / 10 bar / 145 PSI

Operating conditions heating installations

Operating temperature max. 80 °C / 176 °F

Operating pressure max. 1.0 MPa / 10 bar / 145 PSI

Press connector material

Gunmetal: CC499K

Stainless steel 1.4401

Subject to change without prior notice!

Latest Z- and installation dimensions as well as further technical information can be found on the Viega website and have to be checked before purchase, planning, construction work and use. Our products are continuously optimised.






This product description contains important information on choice of product and system, mounting, commissioning as well as intended use and, if required, on maintenance measures. This information on products, their features and application techniques is based on currently valid standards in Europe (e.g. EN) and/or in Germany (e.g. DIN/DVGW). Some passages in the text may refer to technical regulations in Europe/Germany. These should be considered as recommendations for other countries where no corresponding national requirements exist. The relevant national laws, standards, regulations, directives and other technical provisions take priority over the German/European directives specified in this product description: The information herein is not binding for other countries and regions and should be understood as recommendation.












Permitted pipes









pipe material	Model	Article	external Ø	wall thickness	equipments
PE-Xc/Al/PE-Xc	4703	607 258	16	2.0	
		607 272	20	2.3	
		607 289	25	2.8	
		586 935	32	3.2	
		586 942	40	3.5	
		588 052	50	4.0	
		588 069	63	4.5	
	4705	607 210	16	2.0	
		607 234	20	2.3	
		607 241	25	2.8	
699 208		32	3.2		
PE	4704	607 302	16	2.0	black protective pipe
		607 326	20	2.3	black protective pipe
		761 455	25	2.8	black protective pipe
PE-Xc/Al/PE-Xc	4704.1	691 455	16	2.0	blue protective pipe
		691 462	16	2.0	red protective pipe
		691 479	20	2.3	blue protective pipe
		691 486	20	2.3	red protective pipe
	4705.5	734 060	16	2.0	surrounding insulation 6 mm blue ($\lambda=0.040$ W/(mK))
		734 077	16	2.0	surrounding insulation 6 mm red ($\lambda=0.040$ W/(mK))
		751 401	20	2.3	surrounding insulation 6 mm blue ($\lambda=0.040$ W/(mK))
		751 418	20	2.3	surrounding insulation 6 mm red ($\lambda=0.040$ W/(mK))
		4705.1	679 606	16	2.0
	PE-RT/Al/PE-RT	4705.01	751 425	16	2.0
751 432			16	2.0	
4708		662 585	16	2.0	

pipe material	Model	Article	external Ø	wall thickness	equipments
PE-RT/Al/PE-RT	4708	662 592	20	2.3	
	4708.1	662 608	16	2.0	black PE protective pipe
	4708.5	662 622	16	2.0	surrounding insulation 6 mm blue ($\lambda=0.040$ W/(mK))
PE-Xc/Al/PE-Xc	4705.6	607 388	25	2.8	surrounding insulation 9 mm blue ($\lambda=0.040$ W/(mK))
		784 805	25	2.8	surrounding insulation 9 mm red ($\lambda=0.040$ W/(mK))
		761 202	32	3.2	surrounding insulation 9 mm blue ($\lambda=0.040$ W/(mK))
		784 812	32	3.2	surrounding insulation 9 mm red ($\lambda=0.040$ W/(mK))
	4705.4	830 755	16	2.0	surrounding insulation 13 mm grey ($\lambda=0.040$ W/(mK))
		830 762	20	2.3	surrounding insulation 13 mm grey ($\lambda=0.040$ W/(mK))
		830 779	25	2.8	surrounding insulation 13 mm grey ($\lambda=0.040$ W/(mK))

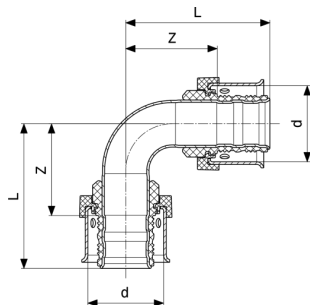
Certificates

Dubai	Dubai Central laboratory Department Attestation of Conformity Viega Smartpress, metal fittings for plastic piping system
	BCCA Certificate Viega Smartpress
BULGARKONTROLA	BULGARKONTROLA Certificate of Conformity Viega Smartpress
VUPS	VUPS Certificate Viega Smartpress
	AENOR Certificate Viega Smartpress
	Eurofins Certificate Viega Smartpress
	CSTB QB Certificate Viega Smartpress
Eurofins	Eurofins Certificate of sanitary conformity (ACS) Viega Smartpress
	WRAS Certificate Viega Smartpress
EMI	EMI certificate Profipress, Sanpress, Easytop, Sanpress Inox, Pexfit Pro Fosta, Smartpress, gunmetal threaded fittings
EMI	EMI Certificate of Constancy of Performance Smartpress/Pexfit Pro

	<p>ICIM Hygiene certificate Profipress, Profipress XL, Sanpress Inox, Sanpress Inox XL, Sanpress, Sanpress XL, Sanfix Fosta, Raxofix, Smartpress, gunmetal threaded fittings, soldered fittings</p>
	<p>IKRAM Product Certificate of Conformity Smartpress, copper alloy/PPSU fittings</p>
	<p>IKRAM Product Certificate of Conformity Smartpress, stainless steel/PPSU fittings</p>
	<p>IKRAM Product Certificate of Conformity Smartpress/Pexfit Pro, PE-Xc/Al/PE-Xc</p>
	<p>Gastec Certificate Smartpress G</p>
	<p>KOMO Product certificate Flexible corrugated protection pipes of PE</p>
	<p>KOMO Product certificate Metal fittings for plastics piping system Pexfit Pro/Smartpress</p>
	<p>KOMO Product certificate Viega Smartpress PE-Xc/Al/PE-Xc piping system</p>
	<p>KOMO Product certificate Viega Smartpress PE-RT/Al/PE-RT piping system</p>
	<p>KIWA Product certificate Metal fittings for plastic piping system Pexfit Pro/Smartpress</p>
	<p>KIWA Product certificate Viega Smartpress PE-Xc/Al/PE-Xc piping system</p>

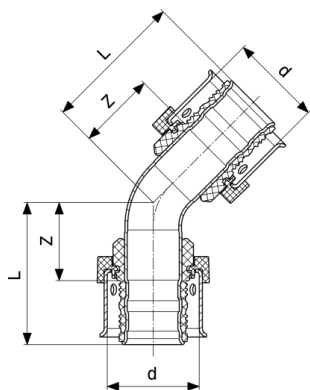
	<p>KIWA Product certificate Viega Smartpress PE-RT/Al/PE-RT piping system</p>
	<p>KOMO Product certificate PE-RT/Al pipes</p>
	<p>KOMO Product certificate PPSU Fittings</p>
	<p>KOMO Product certificate PE-Xc/Al pipes</p>
	<p>KIWA Product certificate PE-RT/Al pipes</p>
	<p>KIWA Product certificate PPSU Fittings</p>
	<p>KIWA Product certificate PE-Xc/Al pipes</p>
<p>SINTEF</p>	<p>SINTEF Certificate Viega Smartpress</p>
<p>EITS</p>	<p>EITS Technical Approval Viega Smartpress</p>
<p>EITS</p>	<p>EITS Certificate Viega Smartpress</p>
	<p>RISE Certificate viega Smartpress</p>
<p>STL</p>	<p>Singapore Test Lab Test Certificate Smartpress</p>
<p>UKRCERTIFICATION</p>	<p>LLC UKRCertification Certificate of conformity Pexfit Pro, Smartpress</p>

Z dimensions



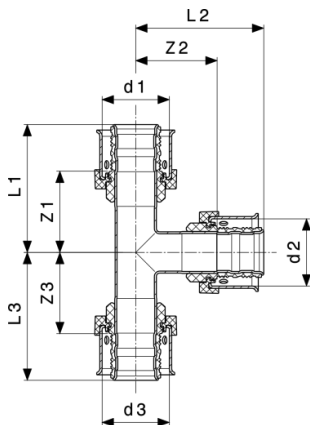
Viega Smartpress Elbow 90°
- stainless steel
Model 6716

Article	d	Z	L
729 844	16	26	39
729 851	20	25	39
729 868	25	27	46
729 875	32	35	59
731 922	40	70	94
731 939	50	83	112
731 946	63	93	128



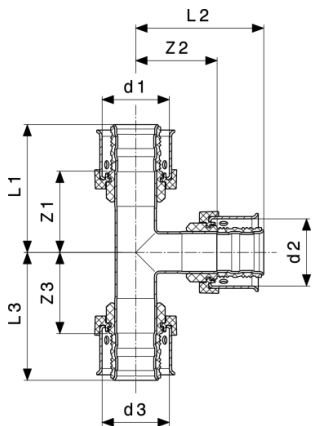
Viega Smartpress Elbow 45°
- stainless steel
Model 6726

Article	d	Z	L
730 154	25	18	37
730 161	32	23	48
733 995	40	50	74
734 008	50	58	87
734 015	63	65	100



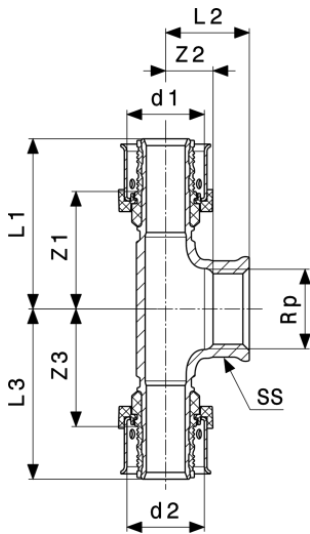
Viega Smartpress T-piece
- stainless steel
Model 6718

Article	d1	d2	d3	Z1	Z2	Z3	L1	L2	L3
729 929	16	16	16	27	27	27	40	40	40
729 936	16	20	16	28	24	26	42	38	42
729 967	20	16	16	31	31	26	44	44	40
729 950	20	16	20	24	28	24	38	42	38
729 974	20	20	16	24	24	27	38	38	42
729 943	20	20	20	24	24	24	38	38	38
730 048	25	16	16	25	31	30	43	45	44
730 000	25	16	20	25	31	29	43	45	43
729 998	25	16	25	25	31	25	43	45	43
730 017	25	20	20	25	29	29	43	43	43
730 024	25	20	25	25	29	25	43	43	43
730 055	25	25	16	25	25	30	43	43	44
730 031	25	25	20	25	25	29	43	43	43
729 981	25	25	25	25	25	25	43	43	43
730 079	32	16	25	31	33	27	55	46	45
730 086	32	16	32	26	35	26	50	48	50
730 093	32	20	25	31	31	27	55	45	45
730 109	32	20	32	26	33	26	50	47	50
730 116	32	25	25	31	26	27	55	45	45
730 123	32	25	32	26	28	26	50	47	50
730 062	32	32	32	28	28	28	53	53	53
732 769	40	25	32	52	35	38	76	53	63
732 776	40	25	40	52	35	52	76	53	76
732 783	40	32	32	53	34	41	76	58	65
732 790	40	32	40	53	34	53	76	58	76
732 752	40	40	40	52	53	52	76	76	75



Viega Smartpress T-piece
- stainless steel
Model 6718

Article	d1	d2	d3	Z1	Z2	Z3	L1	L2	L3
731 953	50	25	50	61	38	61	90	59	90
732 806	50	32	50	61	37	61	90	62	90
732 813	50	40	50	61	55	61	90	80	90
731 984	50	50	50	61	61	61	90	90	90
732 837	63	25	63	66	42	66	101	60	101
732 844	63	32	63	66	41	66	101	65	101
732 851	63	40	63	66	60	66	101	83	101
732 868	63	50	63	66	64	66	101	93	101
732 820	63	63	63	66	66	66	101	101	101



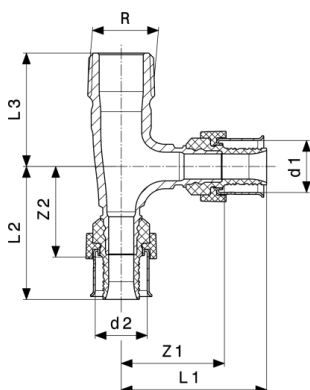
Viega Smartpress T-piece
- stainless steel
Model 6717

Article	d1	Rp	d2	Z1	Z2	Z3	L1	L2	L3	SS
729 882 ¹	16	½	16	33	7	33	47	22	47	
729 899 ¹	20	½	20	31	7	31	45	22	45	
729 905 ¹	25	¾	25	33	9	33	52	25	52	
729 912 ¹	32	¾	32	36	12	36	61	28	61	
733 308 ²	40	1	40	53	23	53	76	43	76	36
733 315 ²	50	1	50	61	27	61	90	46	90	36
733 322 ²	63	1	63	66	30	66	101	50	101	36

SS = spanner size

¹⁾ gunmetal

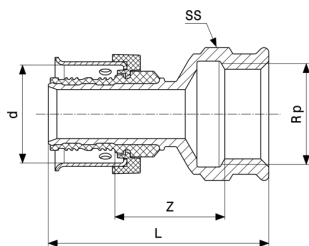
²⁾ stainless steel



Viega Smartpress T-piece
- gunmetal
Model 6726.4

Article	R	d1	d2	Z1	Z2	L1	L2	L3	SS
730 444	½	16	16	33	29	47	43	36	18

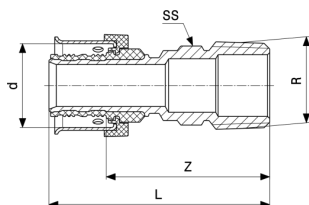
SS = spanner size



Viega Smartpress Adapter
- gunmetal
Model 6712

Article	d	Rp	Z	L	SS
729 608	16	½	21	49	26
729 615	16	¾	23	52	31
729 622	20	½	17	46	26
729 639	20	¾	19	49	31
729 646	25	¾	18	53	31
729 653	32	1	20	64	38
733 391	40	1¼	42	87	47
733 407	50	1½	43	94	53
733 414	63	2	42	103	66

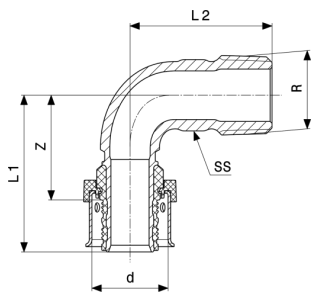
SS = spanner size



Viega Smartpress Adapter
- gunmetal
Model 6711

Article	d	R	Z	L	SS
729 523	16	⅝	39	53	14
729 530	16	½	43	57	18
729 547	16	¾	46	60	22
729 554	20	½	40	54	18
729 561	20	¾	42	56	22
729 578	25	¾	42	61	22
729 585	25	1	50	68	27
729 592	32	1	49	74	27
733 278	40	1¼	74	97	43
733 285	50	1½	75	104	50
733 292	63	2	82	117	62

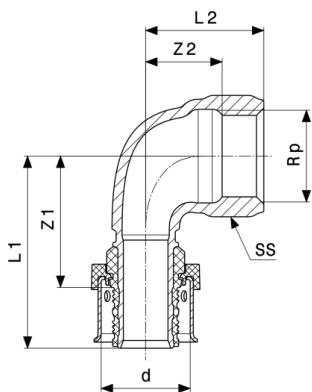
SS = spanner size



Viega Smartpress Adapter elbow 90°
- gunmetal
Model 6714

Article	d	R	Z	L1	L2	SS
729 707	16	½	33	47	36	18
729 714	20	½	28	42	38	18
729 721	20	¾	31	45	42	23
729 738	25	¾	31	50	44	23
729 745	32	1	38	63	52	29

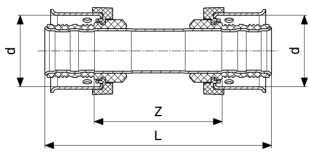
SS = spanner size



Viega Smartpress Adapter elbow 90°
- gunmetal
Model 6714.1

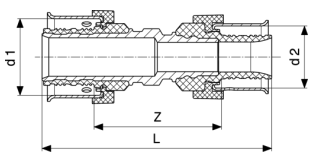
Article	d	Rp	Z1	Z2	L1	L2	SS
730 352	16	½	34	11	48	26	26
730 345	16	¾	32	12	46	23	22
730 369	20	½	30	12	44	27	26
730 376	20	¾	33	12	47	28	32
730 383	25	¾	34	11	53	27	32

SS = spanner size



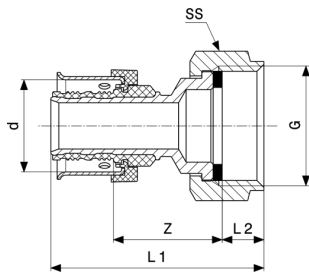
Viega Smartpress Coupling
- stainless steel
Model 6715

Article	d	Z	L
729 752	16	40	67
729 769	20	38	65
729 783	25	39	77
729 813	32	43	92
733 339	40	73	120
733 353	50	75	133
733 377	63	80	150



Viega Smartpress Reducing coupling
- gunmetal
Model 6715.2

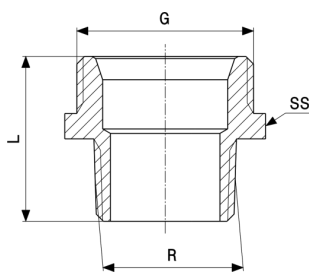
Article	d1	d2	Z	L
729 776	20	16	35	62
729 790	25	16	35	67
729 806	25	20	32	64
729 820	32	20	35	73
729 837	32	25	34	77
733 346	40	32	54	102
733 360	50	40	73	126
733 384	63	50	77	141



Viega Smartpress Connection screw fitting
- gunmetal
Model 6763

Article	d	G	Z	L1	L2	SS
730 208	16	½	27	43	5	23
730 215	16	¾	28	51	9	30
730 222	20	½	23	42	5	23
730 239	20	¾	24	47	9	30
730 246	25	¾	26	53	9	30
730 253	32	1¼	28	65	12	50
733 445	40	1¼	46	81	12	50
733 452	40	1½	49	82	9	52
733 469	50	1¾	50	89	10	59
733 476	50	2%	54	94	11	75
733 483	63	2%	54	98	11	75

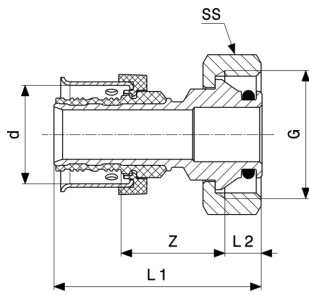
SS = spanner size



Adapter nipple
- gunmetal or silicon bronze
Model 3246

Article	R	G	L	SS
449 339	½	½	30	22
441 524	½	¾	21	27
449 346	¾	¾	33	28

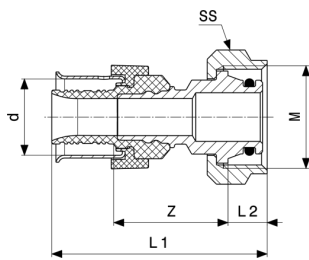
SS = spanner size



Viega Smartpress Connection screw fitting
- gunmetal
Model 6735

Article	d	G	Z	L1	L2	SS
730 598	16	3/4	25	46	8	30
730 604	20	3/4	22	43	8	30
730 611	25	3/4	21	47	8	30

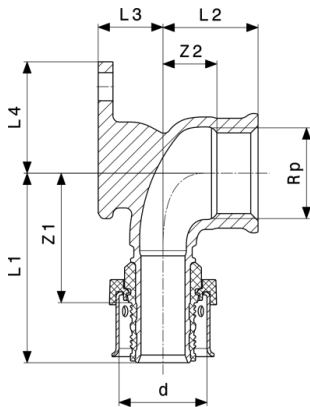
SS = spanner size



Viega Smartpress Connection screw fitting
- gunmetal
Model 6783

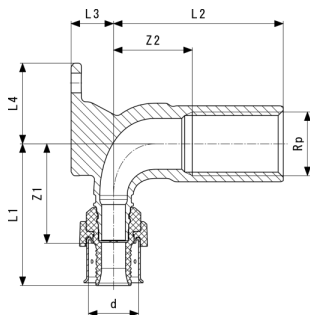
Article	d	M	Z	L1	L2	SS
730 307	16	22	25	48	9	26
730 314	16	24	26	49	10	27

SS = spanner size



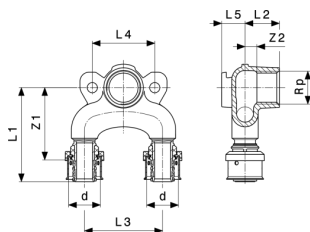
Viega Smartpress Wall plate
- gunmetal
Model 6725.5

Article	d	Rp	Z1	Z2	L1	L2	L3	L4
729 479	16	½	33	7	47	22	13	27
729 486	20	½	30	7	44	22	15	27
729 493	20	¾	34	9	48	25	18	31



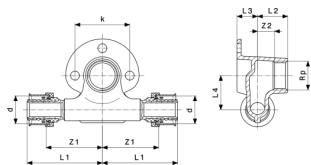
Viega Smartpress Wall plate
- gunmetal
Model 6725

Article	Z1	Z2	L1	L2	L3	L4
783 921	33	26	47	56	14	27



Viega Smartpress Double wall plate
- gunmetal
Model 6725.7

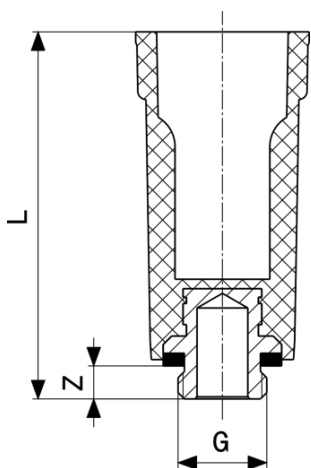
Article	d	Rp	Z1	Z2	L1	L2	L3	L4	L5
730 413	16	½	51	7	65	22	50	40	13
730 420	20	½	46	7	60	22	50	40	15
730 437	25	½	48	7	66	22	50	40	15



Viega Smartpress Wall plate T-piece
- gunmetal
Model 6724.3

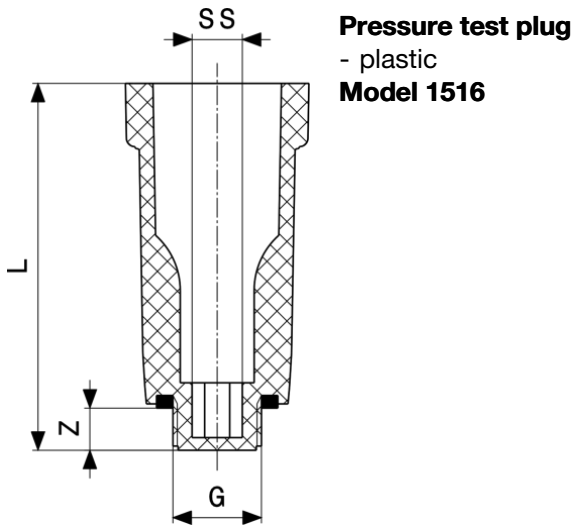
Article	d	Rp	Z1	Z2	L1	L2	L3	L4	k
729 509	16	½	46	7	60	22	13	25	40
729 516	20	½	41	7	55	22	15	25	40

k = bolt circle diameter



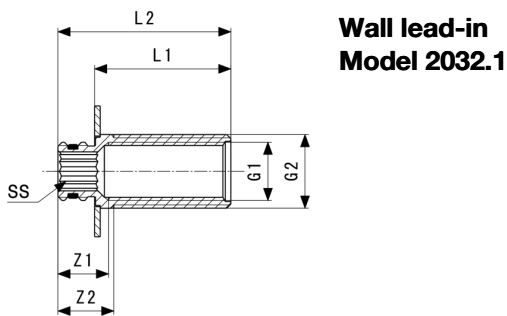
Pressure test plug
- plastic
Model 1516.113

Article	G	Z	L
116 644	⅜	7	85
100 766	½	11	92
107 666	¾	9	87



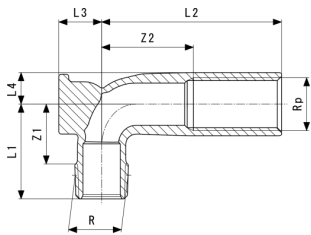
Article	G	Z	L	SS
107 796	3/8	10	87	8
100 124	1/2	10	87	10
102 746	3/4	13	90	14

SS = spanner size



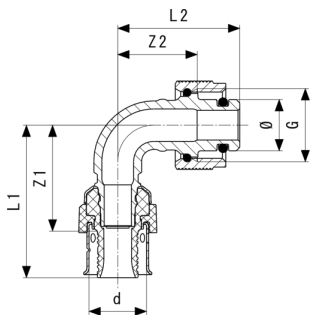
Article	G1	G2	L	Z1	Z2	L1	L2	SS
764 067	1/2	3/4	35	18	20	37	50	12
764 074	1/2	3/4	47	17	20	49	62	12

SS = spanner size



Wall plate for Prevista
- silicon bronze
Model 8055.2

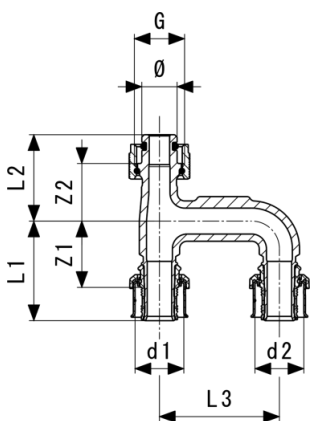
Article	Z1	Z2	L1	L2	L3	L4
785 178	24	37	38	72	17	12



Viega Smartpress Adapter elbow 90°
- gunmetal
Model 6716.8

Article	Ø	L2	L1	Z2	Z1
776 992	15	35	44	23	30

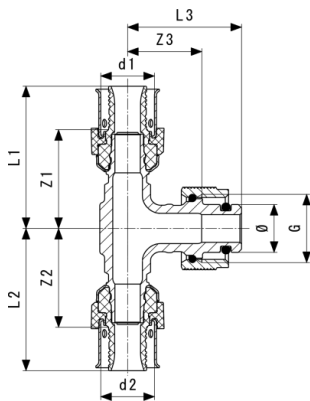
Ø = diameter



Viega Smartpress Extension piece
- gunmetal
Model 6725.78

Article	d1	d2	G	Z1	Z2	L1	L2	L3	Ø
796 754	16	16	½	32	23	45	35	50	15
796 761	20	20	½	28	24	42	36	50	15
796 778	25	25	½	31	25	49	37	50	15

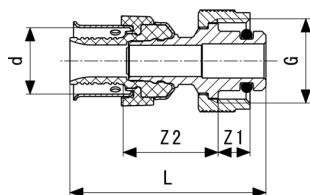
Ø = diameter



Viega Smartpress Adapter T-piece
- gunmetal
Model 6718.8

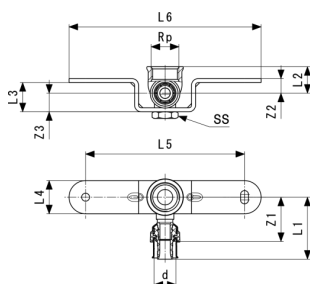
Article	Ø	Z1	Z2	Z3	L2	L1	L3
777 012	15	27	27	24	41	41	36
777 005	15	30	30	23	44	44	35

Ø = diameter



Viega Smartpress Adapter
- gunmetal
Model 6711.8

Article	Z1	Z2	L
776 985	8	24	49

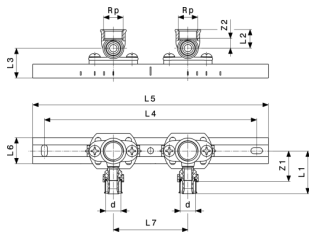


Viega Smartpress Mounting unit
- galvanised steel
Model 6723

Article	d	Rp	Z1	Z2	Z3	L1	L2	L3	L4	L5
750 152	16	½	33	11	14	47	20	22	25	120

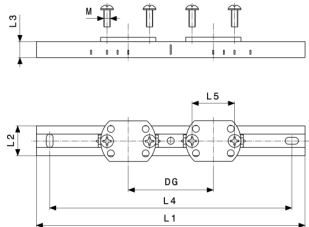
Article	d	Rp	L6	SS
750 152	16	½	145	17

SS = spanner size



Viega Smartpress Mounting unit
- galvanised steel
Model 6741

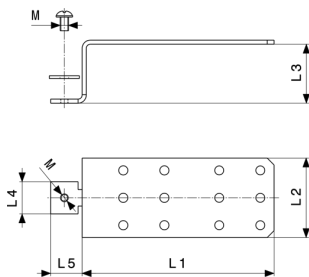
Article	d	Rp	L7
730 628	16	½	80



Mounting bracket
- galvanised steel
Model 2141.3

Article	DG	L1	L2	L3	L4	L5	M
581 701	80-150	253	28	15	228	40	6

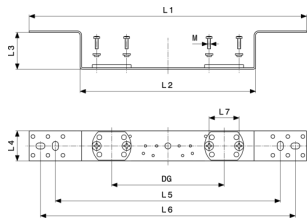
DG = depth gauge
M = thread type



Mounting bracket
- galvanised steel
Model 2141.4

Article	L1	L2	L3	L4	L5	M
586 706	140	58	43	24	23	6

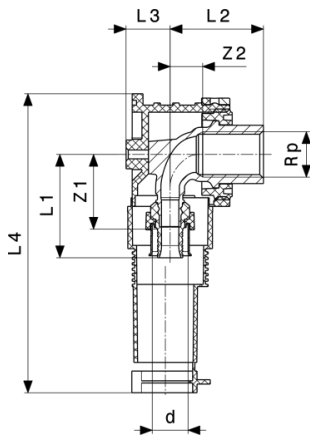
M = thread type



Mounting bracket
- galvanised steel
Model 2021.7

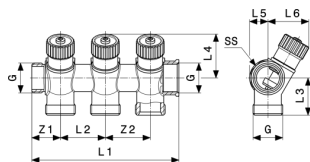
Article	DG	M
651 350	70/100/150	4

DG = depth gauge
M = thread type



Viega Smartpress Connection socket 90°
- gunmetal
Model 6720.01

Article	d	Rp	Z1	Z2	L1	L2	L3	L4
730 581	16	½	34	15	48	43	20	138

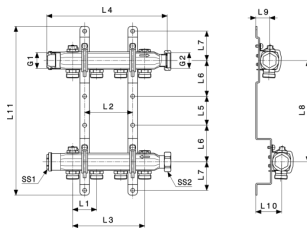


Manifold
- brass
Model 6734

Article	n	G	d	Z1	Z2	L1	L2	L3	L4	L5
747 404	2	¾	¾	26		89		32	34	16
747 411	3	¾	¾	26	40	129	40	32	34	16

Article	n	G	d	L6	SS
747 404	2	¾	¾	40	31
747 411	3	¾	¾	40	31

SS = spanner size

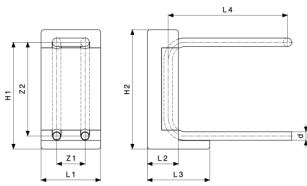


Manifold
- stainless steel
Model 1078

Article	n	L1	L2	L3	L4	L5	L6	L7	L8	L9
586 225	2	50			142	60	75	60	210	28
586 232	3	50	50	100	192	60	75	60	210	28
586 249	4	50	100	150	242	60	75	60	210	28
587 550	5	50	150	200	292	60	75	60	210	28
587 567	6	50	200	250	342	60	75	60	210	28
587 574	7	50	250	300	392	60	75	60	210	28
587 581	8	50	300	350	442	60	75	60	210	28
587 598	9	50	350	400	492	60	75	60	210	28
587 604	10	50	400	450	542	60	75	60	210	28
587 611	11	50	450	500	592	60	75	60	210	28
587 628	12	50	500	550	642	60	75	60	210	28

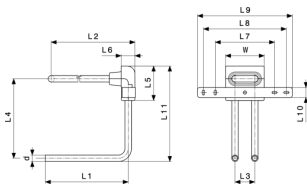
Article	n	L10	L11	SS1	SS2	G1	G2
586 225	2	53	350	25	37	¾	1
586 232	3	53	350	25	37	¾	1
586 249	4	53	350	25	37	¾	1
587 550	5	53	350	27	37	¾	1
587 567	6	53	350	25	37	¾	1
587 574	7	53	350	25	37	¾	1
587 581	8	55		25	37	¾	1
587 598	9	55		25	37	¾	1
587 604	10	53	350	25	37	¾	1
587 611	11	53	350	25	37	¾	1
587 628	12	53	350	25	37	¾	1

SS = spanner size



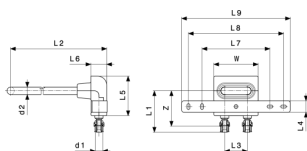
**Radiator connection block
Model 1097.6**

Article	d	Z1	Z2	L1	L2	L3	L4	H1	H2
364 045	15	50	165	105	55	110	210	188	210
379 698	15	50	235	105	55	110	210	258	280



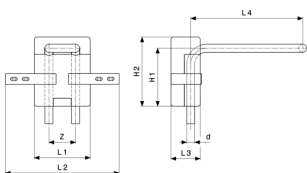
**Viega Smartpress Radiator connection block
- multi-layer pipe
Model 6797.7**

Article	d	L11
730 529	16	232



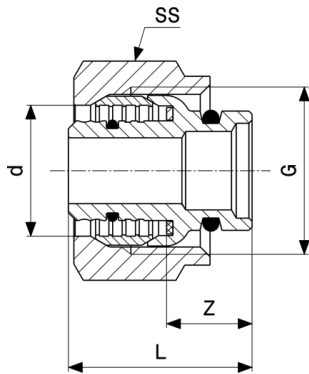
**Viega Smartpress Radiator connection block
- stainless steel
Model 6775.31**

Article	d1	d2	W
730 505	16	15	98



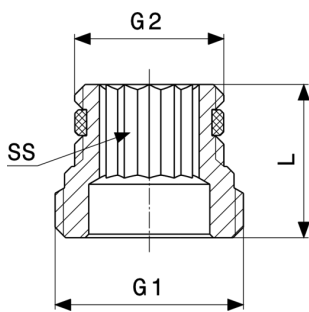
**Radiator connection block
Model 1097.9**

Article	d	H	Z	L1	L2	L3	L4	H1	H2
586 379	15	150	50	105	214	55	210	109	130



Clamping ring screw fitting
- brass
Model 1019

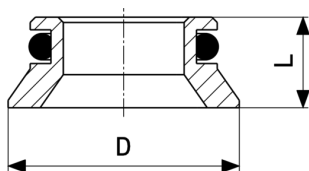
Article	d	s	G
356 682	16	2	¾



Adapter set
- brass
Model 1096.8

Article	G1	G2	L	SS
357 122	½	¾	22	12

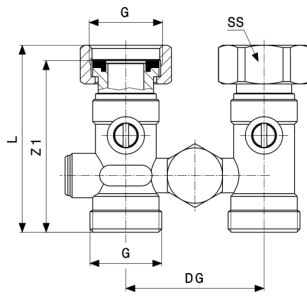
SS = spanner size



Adapter set
Model 1096.9

Article	D	L
308 872	22	9

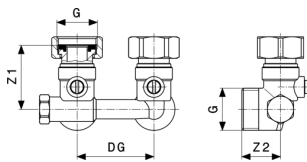
D = External diameter



Radiator connection piece
- brass matt nickel-plated
Model 1096.0

Article	G	DG	Z1	L	SS
359 096	3/4	50	62	68	30

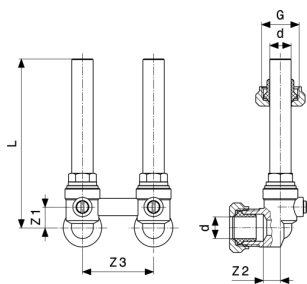
DG = depth gauge
SS = spanner size



Radiator connection piece
- brass matt nickel-plated
Model 1097.0

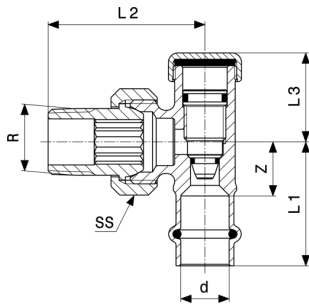
Article	G	DG	Z1	Z2	L	SS
359 126	3/4	50	43	25	47	30

DG = depth gauge
SS = spanner size



Radiator connection set
- brass matt nickel-plated
Model 1097.7

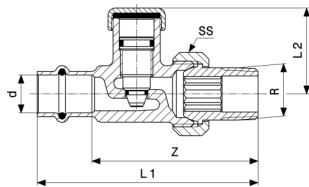
Article	d	G	Z1	Z2	Z3	L
364 052	15	3/4	15	11	50	118



Sanpress Return pipe screw fitting
- gunmetal
Model 2272.1

Article	d	R	Z	L1	L2	L3	SS
326 357	15	½	17	39	50	28	29

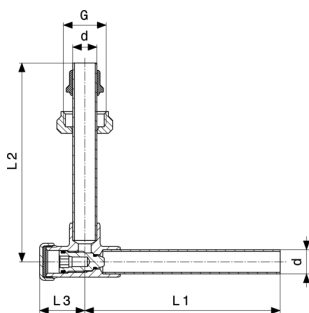
SS = spanner size



Sanpress Return pipe screw fitting
- gunmetal
Model 2272.2

Article	d	R	Z	L1	L2	SS
326 364	15	½	67	89	35	29

SS = spanner size



Radiator connection set
- brass nickel-plated
Model 2272.5

Article	d	G	L1	L2	L3
360 399	15	¾	121	123	28

Imprint

Viega GmbH & Co. KG

Viega Platz 1
57439 Attendorn
Germany
Phone: +49/2722/61-0
Fax: +49/2722/61-1566

The Viega GmbH & Co. KG is represented by the general partners: Viega Management B.V. (Managing directors: Michael Klenz, Sebastian Lelgemann) and Viega Management GmbH (Managing directors: Michael Klenz, Sebastian Lelgemann)

The Submittal Package contains non-binding information that is being provided to you. All contents in the Submittal Package have been compiled with the greatest possible care and attention. Despite this, we are unable to guarantee that the information is up to date, accurate and complete. Placing an order does not automatically render the Submittal Package part of the contract.