

Pexfit Pro

Submittal Package

IN



table of contents

1	Product group description	3
2	Permitted pipes	5
3	Certificates	7
4	Z dimensions	11
5	Imprint	16

Product group description

Press connector system with press connections made of gunmetal and multi-layer pipes. Multi-layer pipe, dimensionally stable, oxygen seal, colour: white. Press connectors with stainless steel press sleeves to ensure the leak tightness and mechanical strength of the connection. For protection pipes are equipped with pipe plugs. Suitable for concealed and pre-wall installations of riser pipes and floor installations.

Marking

Manufacturer, pipe dimension, batch, green dot on press end, system approvals

Press connector with SC-Contur

Inadvertently unpressed connections become visibly leaky when the system is filled.

Viega guarantees the detection of unpressed connections in the following pressure ranges:

min. water pressure: 0.1 MPa / 100 kPa / 1 bar / 14.5 PSI

max. water pressure: 0.65 MPa / 650 kPa / 6.5 bar / 94.3 PSI

min. air pressure: 22 hPa / 2.2 kPa / 22 mbar / 0.3 PSI

max. air pressure: 0.3 MPa / 300 kPa / 3 bar / 43.5 PSI

Dimensions

d32–63

Tools

The functional safety of Viega press connector systems depends primarily on the faultless condition of the press tools used. Viega recommends the use of Viega press tools for pressing Viega press connectors. Viega press tools have to be regularly maintained by authorised service partners.

Areas of application

Potable water

Note

The press connector system Pexfit Pro is suitable for the creation of potable water installations according to DIN 1988-200 and EN 806-2 in consideration of the selection of material in accordance with DIN EN 12502-1 and according to the evaluation basis for metallic materials in contact with potable water of the Umweltbundesamt (UBA) (German Federal Environment Agency). When used for other areas of use and when in doubt about the right selection of material, please contact Viega. Detailed information on fire safety and sound protection can be obtained from the Viega website or from your contact at Viega.

Operating conditions for potable water installations

operating temperature max. 70 °C / 158 °F

operating pressure max. 1.0 MPa / 10 bar / 145 PSI

Material press connector

Gunmetal: CC499K

Subject to change without prior notice!

Latest Z- and installation dimensions as well as further technical information can be found on the Viega website and have to be checked before purchase, planning, construction work and use. Our products are continuously optimised.







This product description contains important information on choice of product and system, mounting, commissioning as well as intended use and, if required, on maintenance measures. This information on products, their features and application techniques is based on currently valid standards in Europe (e.g. EN) and/or in Germany (e.g. DIN/DVGW). Some passages in the text may refer to technical regulations in Europe/Germany. These should be considered as recommendations for other countries where no corresponding national requirements exist. The relevant national laws, standards, regulations, directives and other technical provisions take priority over the German/European directives specified in this product description: The information herein is not binding for other countries and regions and should be understood as recommendation.



Permitted pipes





pipe material	Model	Article	external Ø	wall thickness
PE-Xc/Al/PE-Xc	4705	607 210	16	2.0
PE-Xc/Al/PE-Xc	4705	607 234	20	2.3
PE-Xc/Al/PE-Xc	4705	607 241	25	2.8
PE-Xc/Al/PE-Xc	4705	699 208	32	3.2
PE-Xc/Al/PE-Xc	4705.1	679 606	16	2.0
PE-Xc/Al/PE-Xc	4703	607 258		2.0
PE-Xc/Al/PE-Xc	4703	607 272	20	2.3
PE-Xc/Al/PE-Xc	4703	607 289	25	2.8
PE-Xc/Al/PE-Xc	4703	586 935	32	3.2
PE-Xc/Al/PE-Xc	4703	586 942	40	3.5
PE-Xc/Al/PE-Xc	4703	588 052	50	4.0
PE-Xc/Al/PE-Xc	4703	588 069	63	4.5
PE-Xc/Al/PE-Xc	4704	607 302	16	25.0
PE-Xc/Al/PE-Xc	4704	607 326	20	28.0
PE-Xc/Al/PE-Xc	4704	761 455	25	34.0
PE-Xc/Al/PE-Xc	4704.1	691 455	16	2.0
PE-Xc/Al/PE-Xc	4704.1	691 462		2.0
PE-Xc/Al/PE-Xc	4704.1	691 479	20	2.3
PE-Xc/Al/PE-Xc	4704.1	691 486		2.3
PE-Xc/Al/PE-Xc	4705.5	734 060	16	2.0
PE-Xc/Al/PE-Xc	4705.5	751 401		2.0
PE-Xc/Al/PE-Xc	4705.5	734 077	20	2.3
PE-Xc/Al/PE-Xc	4705.5	751 418		2.3
PE-Xc/Al/PE-Xc	4705.6	607 388	25	2.8
PE-Xc/Al/PE-Xc	4705.6	784 805		2.8
PE-Xc/Al/PE-Xc	4705.6	761 202	32	3.2
PE-Xc/Al/PE-Xc	4705.6	784 812		3.2
PE-RT/Al/PE-RT	4708	662 585	16	2.0
PE-RT/Al/PE-RT	4708	662 592	20	2.3
PE-RT/Al/PE-RT	4708.1	662 608	16	2.0
PE-RT/Al/PE-RT	4708.1	662 615	20	2.3
PE-RT/Al/PE-RT	4708.5	662 622	16	2.0
PE-RT/Al/PE-RT	4708.5	662 639	20	2.3
PE-Xc	2004	776 022	21	
PE-Xc	2004	105 761	25	
PE-Xc	2004	110 604	28	

pipe material	Model	Article	external Ø	wall thickness
PE-Xc	2004	103 460	34	
PE-Xc	2004	110 499	42	

Certificates

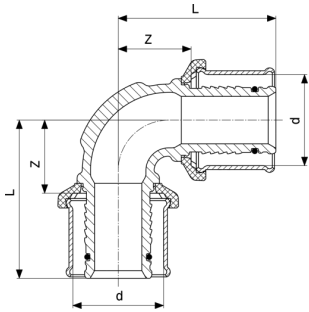
Dubai	Dubai Central laboratory Department Attestation of Conformity Viega Smartpress, metal fittings for plastic piping system
	BCCA Certificate Viega Smartpress
BULGARKONTROLA	BULGARKONTROLA Certificate of Conformity Viega Smartpress
VUPS	VUPS Certificate Viega Smartpress
	DVGW type examination certificate (distributor certificat for Viega India) Pexfit Pro (d 32 - 63)
	AENOR Certificate Viega Smartpress
	CSTB QB Certificate Viega Smartpress
	WRAS Certificate Viega Smartpress
EMI	EMI certificate Profipress, Sanpress, Easytop, Sanpress Inox, Pexfit Pro Fosta, Smartpress, gunmetal threaded fittings
EMI	EMI Certificate of Constancy of Performance Smartpress/Pexfit Pro
	IKRAM Product Certificate of Conformity Smartpress/Pexfit Pro, PPSU fittings

	<p>IKRAM Product Certificate of Conformity Pexfit Pro, copper alloy fittings</p>
	<p>IKRAM Product Certificate of Conformity Smartpress/Pexfit Pro, PE-Xc/Al/PE-Xc</p>
	<p>KOMO Product certificate Pexfit Pro PE-Xc/Al/PE-Xc piping system</p>
	<p>KOMO Product certificate Pexfit Pro PE-RT/Al/PE-RT piping system</p>
	<p>KOMO Product certificate Metal fittings for plastics piping system Pexfit Pro/Smartpress</p>
	<p>KIWA Product certificate Pexfit Pro PE-Xc/Al/PE-Xc piping system</p>
	<p>KIWA Product certificate Metal fittings for plastic piping system Pexfit Pro/Smartpress</p>
	<p>KIWA Product certificate Pexfit Pro PE-RT/Al/PE-RT piping system</p>
	<p>KIWA Product certificate PE-RT pipes</p>
	<p>KIWA Product certificate Pexfit Pro PE-RT piping system</p>
	<p>KOMO Product certificate PE-RT/Al pipes</p>

	<p>KOMO Product certificate PPSU Fittings</p>
	<p>KOMO Product certificate PE-Xc/Al pipes</p>
	<p>KOMO Product certificate Viega Smartpress PE-Xc/Al/PE-Xc piping system</p>
	<p>KOMO Product certificate Viega Smartpress PE-RT/Al/PE-RT piping system</p>
	<p>KIWA Product certificate PE-RT/Al pipes</p>
	<p>KIWA Product certificate PPSU Fittings</p>
	<p>KIWA Product certificate PE-Xc/Al pipes</p>
	<p>KIWA Product certificate Viega Smartpress PE-Xc/Al/PE-Xc piping system</p>
	<p>KIWA Product certificate Viega Smartpress PE-RT/Al/PE-RT piping system</p>
<p>EITS</p>	<p>EITS Technical Approval Viega Smartpress</p>
<p>EITS</p>	<p>EITS Certificate Viega Smartpress</p>
	<p>RISE Certificate viega Smartpress</p>

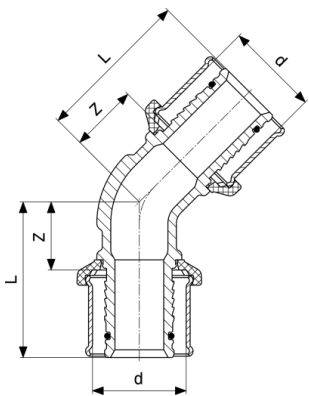
	<p>SGBC Certificate Pexfit Pro</p>
<p>STL</p>	<p>Singapore Test Lab Test Certificate Smartpress</p>
<p>SLS</p>	<p>SLS Test Certificate Pexfit Pro</p>
<p>UKRCERTIFICATION</p>	<p>LLC UKRCertification Certificate of conformity Pexfit Pro, Smartpress</p>

Z dimensions



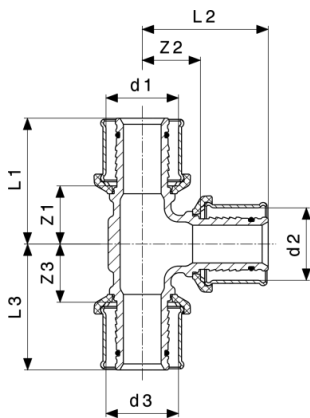
Pexfit Pro Elbow 90°
- gunmetal
Model 2716

Article	d	Z	L
588 076	32	24	52
588 083	40	35	65
588 090	50	41	76
588 106	63	47	89



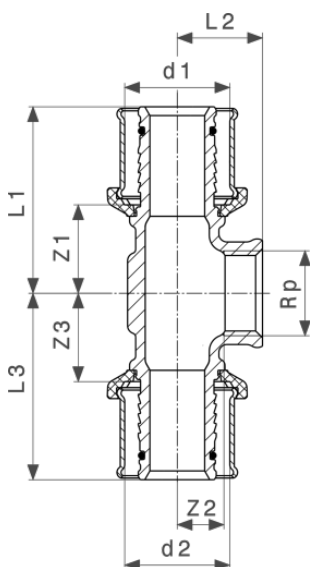
Pexfit Pro Elbow 45°
- gunmetal
Model 2726

Article	d	Z	L
588 465	32	20	48
588 472	40	29	58
588 489	50	31	66
588 496	63	34	75



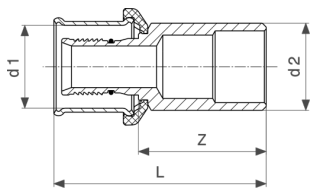
Pexfit Pro T-piece
- gunmetal
Model 2718

Article	d1	d2	d3	Z1	Z2	Z3	L1	L2	L3
588 014	32	32	32	24	24	24	52	52	52
588 359	40	32	32	28	28	28	58	56	56
588 366	40	32	40	28	28	28	58	56	58
588 021	40	40	40	62	62	62	32	32	32
588 373	50	32	50	30	32	30	65	60	65
588 038	50	50	50	40	40	40	75	75	75
588 380	63	32	63	32	40	32	74	68	74
588 045	63	63	63	45	45	45	87	87	87



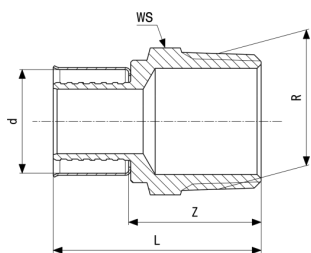
Pexfit Pro T-piece
- gunmetal
Model 2717

Article	d1	Rp	d2	Z1	Z2	Z3	L1	L2	L3
588 298	32	¼	32	26	8	26	54	24	54
588 311	50	¼	50	35	18	35	70	35	70



Pexfit Pro Plug-in piece
- gunmetal
Model 2713

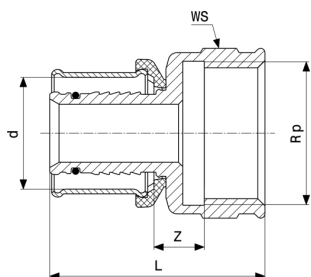
Article	d1	d2	Z	L
588 434	32	28	36	64



Pexfit Pro Adapter
- gunmetal
Model 2711

Article	d	R	Z	L	WS
588 137	32	1	40	68	34
588 144	32	1¼	43	71	43
588 151	40	1¼	41	71	43
588 168	50	1¼	43	79	47
588 175	63	2	49	91	68

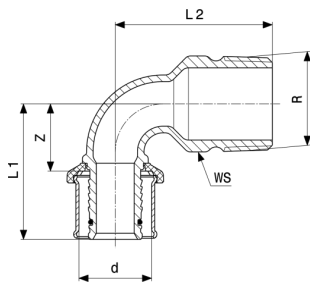
WS = wrench size



Pexfit Pro Adapter
- gunmetal
Model 2712

Article	d	Rp	Z	L	WS
588 229	32	1	7	54	38
588 236	40	1¼	8	59	47

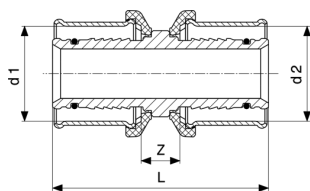
WS = wrench size



Pexfit Pro Adapter elbow 90°
- gunmetal
Model 2714

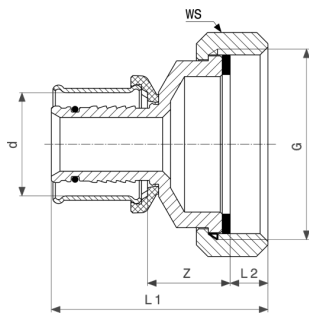
Article	d	R	Z	L1	L2	WS
589 424	32	1	24	52	58	32
588 113	40	1¼	35	65	72	32
588 120	50	1¼	41	76	75	41

WS = wrench size



Pexfit Pro Coupling
- gunmetal
Model 2715

Article	d1	d2	Z	L
588 182	32	32	11	67
588 267	40	32	11	69
588 199	40	40	11	71
588 274	50	40	11	77
588 205	50	50	11	82
588 281	63	50	11	89
588 212	63	63	11	95



Pexfit Pro Connection screw fitting
 - gunmetal
Model 2763

Article	d	G	Z	L1	L2	WS
588 403	32	1¼	14	55	12	50
588 410	40	1¼	26	66	10	46
588 427	50	1¾	17	62	10	59

WS = wrench size

Imprint

Viega GmbH & Co. KG

Viega Platz 1
57439 Attendorn
Germany
Phone: +49/2722/61-0
Fax: +49/2722/61-1566

The Viega GmbH & Co. KG is represented by the general partners: Viega Management B.V. (Managing directors: Michael Klenz, Sebastian Lelgemann) and Viega Management GmbH (Managing directors: Michael Klenz, Sebastian Lelgemann)

The Submittal Package contains non-binding information that is being provided to you. All contents in the Submittal Package have been compiled with the greatest possible care and attention. Despite this, we are unable to guarantee that the information is up to date, accurate and complete. Placing an order does not automatically render the Submittal Package part of the contract.