

Easytop system valves

Submittal Package

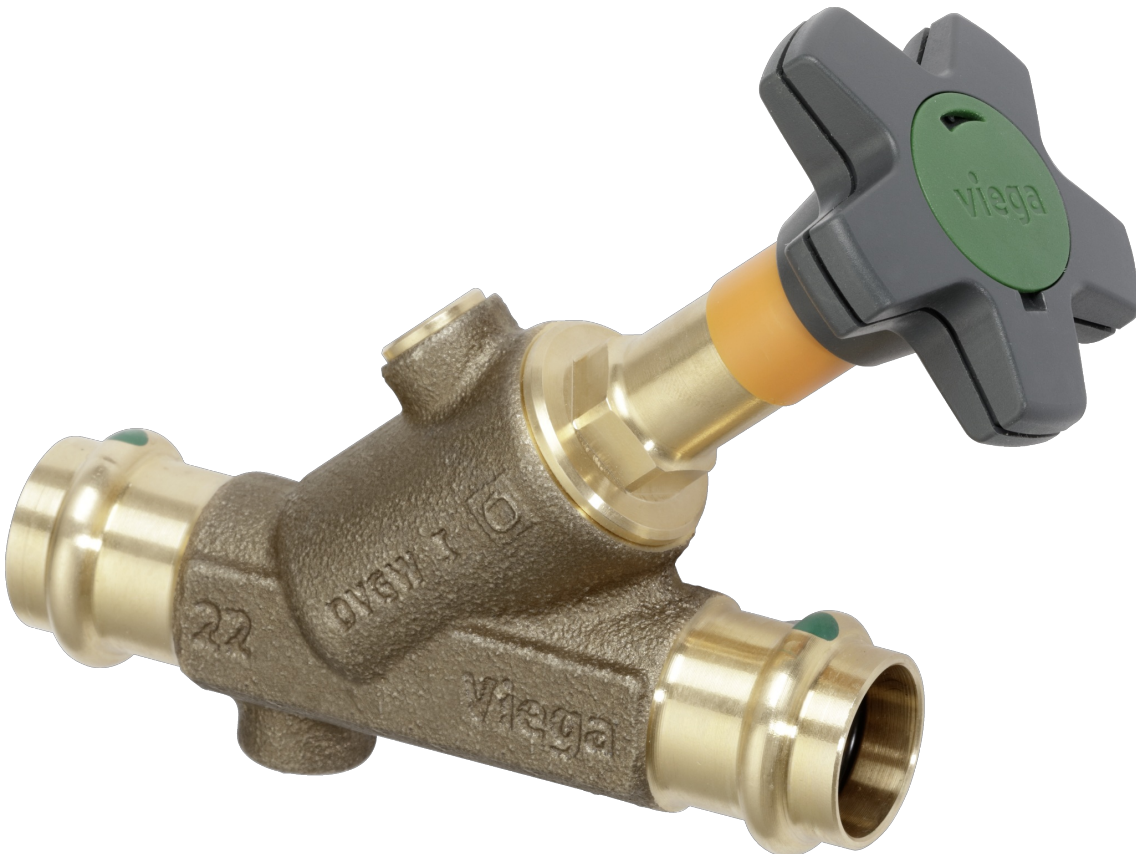


table of contents

1	Product group description	3
2	Certificates	6
3	Z dimensions	9
4	Imprint	24

Product group description

System valves made of stainless steel, gunmetal or silicon bronze and accessories for potable water and heating installations. Can be combined directly with numerous Viega press connector systems. Other combinations with connections to G and Rp thread, as well as flange adapters.

Slanted seat valves (free flow valves)

Valve casing and top made of stainless steel, gunmetal or silicon bronze, valve seat made of stainless steel, with spindle transmission and open/closed position display, handwheel with green/red interchangeable media marking, with drain plug.

KRV valves (combined free flow valves with backflow preventer)

Valve casing and top made of stainless steel, gunmetal or silicon bronze, valve seat made of stainless steel, with spindle transmission and open/closed position display, handwheel with green/red interchangeable media marking, with test connection, with drain plug.

Backflow preventers

Valve casing and top made of stainless steel, gunmetal or silicon bronze, valve seat made of stainless steel, with test connection, with drain plug.

Extraction valves

For sampling cold potable water (PWC) and hot potable water (PWH/PWH-C).

2-piece model consisting of: gunmetal actuation unit, stainless steel extraction valve, stainless steel outlet pipe, rotatable/flammable, base unit rotatable through 360°, removable handle with protective cap.

1-piece model consisting of: gunmetal extraction valve, stainless steel outlet pipe, rotatable/flammable, base unit rotatable through 360°, removable handle.

Circulation regulation valves

Thermostatic regulation valves for the hydraulic line or storey calibration, casing and water contacting parts made of gunmetal or silicon bronze, control range 40 to 65 °C, blockable, with drain plug.

Static regulation valve for the hydraulic circuit balancing, casing and water contacting parts made of gunmetal.

Ball valves

Valve casing made of stainless steel, gunmetal or silicon bronze, ball made of stainless steel, maintenance-free selector shaft (Viega recommends to open and close the ball valve completely every six months), actuating lever with green/red interchangeable media marking, with drain plug.

Free-flow valves

Valve casing and top made of gunmetal or silicon bronze.

Concealed straight seat valves

Valve casing and top made of gunmetal or silicon bronze, with bare brickwork protection.

Concealed domestic water meter units

Valve casing and top made of gunmetal or silicon bronze, with upper part, valve seat and valve plate unit made of stainless steel, with site protection, with connection for Coax G2 measuring capsule (not included in scope of delivery), with blind flange.

Models optionally sound and heat insulated or as a 1-piece and 2-piece version.

Water meter mounting units

Valve casing and parts in contact with water from gunmetal or silicon bronze, mounting panel made of stainless steel (depth/length adjustable, can be set for horizontal and vertical water meter installation), input side: sealable water meter screw fitting, output side: length-adjustable water meter screw fitting, with fixing material.

Models optionally with directly mounted slanted seat valve (free flow valve) on input side and KRV slanted seat valve on output side.

Marking

Manufacturer, pipe dimension, batch, green dot on press end, interchangeable green, red or blue media marking

Press connector with SC-Contur

Inadvertently unpressed connections become visibly leaky when the system is filled.

Viega guarantees the detection of unpressed connections in the following pressure ranges:

min. water pressure: 0.1 MPa / 100 kPa / 1 bar / 14.5 PSI

max. water pressure: 0.65 MPa / 650 kPa / 6.5 bar / 94.3 PSI

min. air pressure: 22 hPa / 2.2 kPa / 22 mbar / 0.3 PSI

max. air pressure: 0.3 MPa / 300 kPa / 3 bar / 43.5 PSI

Sealing elements

EPDM (ethylene propylene diene rubber), black, pre-assembled

FKM (fluorocarbon rubber), matt black, pre-assembled

The use of FKM sealing elements in potable water and gas installations is not permitted!

Dimensions

DN15–100

Tools

The functional safety of Viega press connector systems depends primarily on the faultless condition of the press tools used. Viega recommends the use of Viega press tools for pressing Viega press connectors. Viega press tools have to be regularly maintained by authorised service partners.

Areas of application

Potable water

Heating systems

Compressed air systems

Industrial applications

Note

Use of the system for areas of application and media other than those described must be agreed in consultation with Viega! Detailed information about applications, restrictions and national standards and directives can be found in the product information, either printed or on the Viega website.

Operating conditions

The permitted operating temperatures and pressures of the products can be found in the instructions for use.

Observe flow direction!

Components made of copper may not be installed upstream of galvanised ferrous materials.

Material press connector

Gunmetal: CC499K

silicon bronze: CC246E / CuSi4Zn9MnP








stainless steel 1.4401

Subject to change without prior notice!



Latest Z- and installation dimensions as well as further technical information can be found on the Viega website and have to be checked before purchase, planning, construction work and use. Our products are continuously optimised.

This product description contains important information on choice of product and system, mounting, commissioning as well as intended use and, if required, on maintenance measures. This information on products, their features and application techniques is based on currently valid standards in Europe (e.g. EN) and/or in Germany (e.g. DIN/DVGW). Some passages in the text may refer to technical regulations in Europe/Germany. These should be considered as recommendations for other countries where no corresponding national requirements exist. The relevant national laws, standards, regulations, directives and other technical provisions take priority over the German/European directives specified in this product description: The information herein is not binding for other countries and regions and should be understood as recommendation.

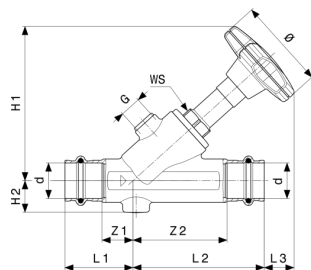
Certificates

	SAI Watermark Certificate of Conformity - Level 1 Recirculation Valve
	SAI Certificate of Conformity 372:2020
BELGAQUA	BELGAQUA Certificate Easytop
BELGAQUA	BELGAQUA Certificate Easytop Inox
AMTEC	AMTEC Certificate Megapress S, steel ball valve type 4375.8
AMTEC	AMTEC Certificate Easytop, model 2370
	DVGW type examination certificate Easytop-ball valve
	DVGW type examination certificate Easytop-slanted seat valve
	DVGW type examination certificate Easytop-CRV-slanted seat valve
	DVGW type examination certificate Easytop-backflow preventer
	DVGW type examination certificate Easytop-free-flow valve

	<p>DVGW type examination certificate Easytop circulation valve S/E thermostatic</p>
	<p>DVGW type examination certificate Easytop Concealed straight seat valve</p>
	<p>DVGW type examination certificate Easytop-sampling valve</p>
	<p>DVGW type examination certificate Easytop Inox-slanted seat valve</p>
	<p>DVGW type examination certificate Easytop Inox-ball valve</p>
	<p>DVGW type examination certificate Easytop Inox-backflow preventer</p>
	<p>DVGW type examination certificate Easytop Inox-CRV- slanted seat valve</p>
	<p>DVGW type examination certificate Easytop XL-slanted seat valve</p>
	<p>DVGW type examination certificate Easytop XL-backflow preventer</p>
	<p>DVGW type examination certificate Easytop XL-CRV slanted seat valve</p>
<p>MPA NRW</p>	<p>General building supervision certificate ball valve Easytop</p>

MPA NRW	General building supervision certificate Free-flow valve
	ETA Certificate Easytop
EMI	EMI certificate Profipress, Sanpress, Easytop, Sanpress Inox, Pexfit Pro Fosta, Smartpress, gunmetal threaded fittings
EMI	EMI Certificate of Constancy of Performance Easytop
	KIWA Product certificate Easytop, Easytop Inox
EITS	EITS Technical Approval Easytop

Z dimensions



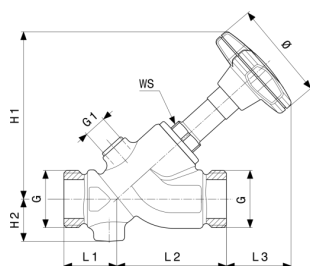
**Easytop Slanted seat valve
Model 2237.5**

Article	DN	d	Z1	Z2	L1	L2	L3	H1	H2	Ø
756 864	15	15	15	46	37	68	19	84	16	60
756 871	15	18	15	46	37	68	19	84	18	60
756 888	20	22	20	60	43	83	17	96	20	60
756 895	25	28	23	66	46	89	31	115	23	73
756 901	32	35	25	80	50	105	32	131	27	73
756 918	40	42	29	84	65	120	41	154	31	98
756 925	50	54	30	105	70	145	43	178	37	98

Article	DN	d	G	WS
756 864	15	15	¼	19
756 871	15	18	¼	19
756 888	20	22	¼	19
756 895	25	28	¼	27
756 901	32	35	¼	27
756 918	40	42	¼	39
756 925	50	54	¼	32

Ø = diameter

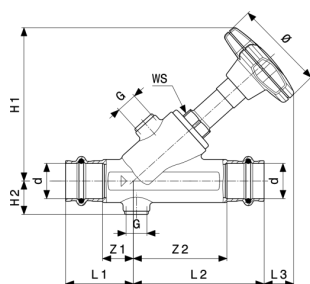
WS = wrench size



**Easytop Slanted seat valve
Model 2237.3**

Article	DN	G	L1	L2	L3	H1	H2	Ø	G1	WS
756 932	15	¾	27	54	32	83	22	60	¼	19
756 949	20	1	31	64	36	96	25	60	¼	19
756 956	25	1¼	35	76	46	116	28	73	¼	27
756 963	32	1½	37	93	48	134	32	73	¼	27
756 970	40	1¾	42	103	61	157	37	98	¼	32
756 987	50	2¾	49	126	66	182	42	98	¼	32

Ø = diameter
WS = wrench size

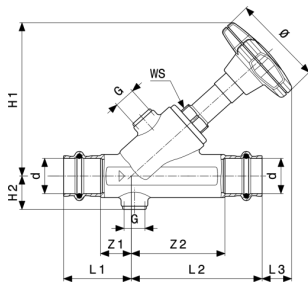


**Easytop KRV slanted seat valve
Model 2238.5**

Article	DN	Z1	Z2	L1	L2	L3	H1	H2	Ø	G
757 199	15	15	46	37	68	20	85	17	60	¼
757 205	15	15	46	37	68	20	85	19	60	¼
757 212	20	20	60	43	83	17	96	21	60	¼
757 229	25	23	66	46	89	32	116	24	73	¼
757 236	32	25	80	50	105	33	131	28	73	¼
757 243	40	29	84	65	120	36	149	32	98	¼
757 250	50	30	105	70	145	35	171	38	98	¼

Article	DN	WS
757 199	15	19
757 205	15	19
757 212	20	19

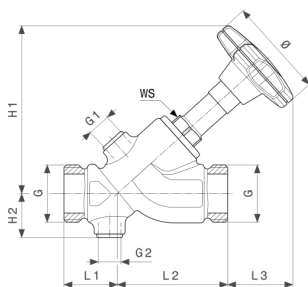
Ø = diameter
WS = wrench size



**Easytop KRV slanted seat valve
Model 2238.5**

Article	DN	WS
757 229	25	27
757 236	32	27
757 243	40	32
757 250	50	32

Ø = diameter
WS = wrench size

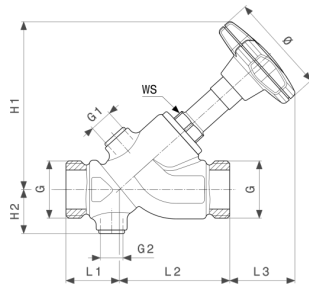


**Easytop KRV slanted seat valve
Model 2238.3**

Article	DN	G	L1	L2	L3	H1	H2	Ø	G1	G2
757 267	15	¾	27	54	34	85	23	60	¼	¼
757 274	20	1	31	64	36	96	26	60	¼	¼
757 281	25	1¼	35	76	48	118	29	73	¼	¼
757 298	32	1½	37	93	49	134	33	73	¼	¼
757 304	40	1¾	42	103	56	152	38	98	¼	¼
757 311	50	2¾	49	126	59	175	43	98	¼	¼

Article	DN	G	WS
757 267	15	¾	19
757 274	20	1	19
757 281	25	1¼	27
757 298	32	1½	27
757 304	40	1¾	32

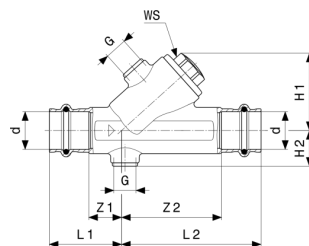
Ø = diameter
WS = wrench size



**Easytop KRV slanted seat valve
Model 2238.3**

Article	DN	G	WS
757 311	50	2 $\frac{3}{8}$	32

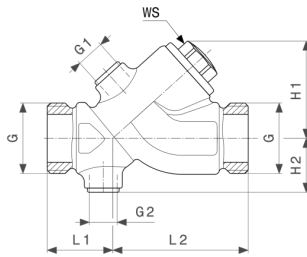
Ø = diameter
WS = wrench size



**Easytop Backflow preventer
Model 2239.4**

Article	DN	d	Z1	Z2	L1	L2	H1	H2	G	WS
757 526	15	15	15	46	37	68	41	17	$\frac{1}{4}$	19
757 540	20	22	20	60	43	83	46	21	$\frac{1}{4}$	19
757 557	25	28	23	66	46	89	59	24	$\frac{1}{4}$	27
757 564	32	35	25	80	50	105	67	28	$\frac{1}{4}$	27
757 571	40	42	29	84	65	120	78	32	$\frac{1}{4}$	32
757 588	50	54	30	105	70	145	90	38	$\frac{1}{4}$	32

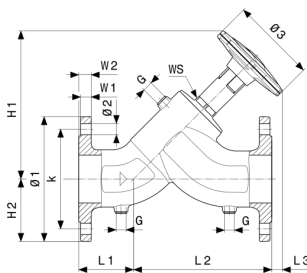
WS = wrench size



**Easytop Backflow preventer
Model 2239.3**

Article	DN	G	L1	L2	H1	H2	G1	WS	G2
757 595	15	¾	27	54	40	23	¼	19	¼
757 601	20	1	31	64	46	26	¼	19	¼
757 618	25	1¼	35	76	61	29	¼	27	¼
757 625	32	1½	37	93	70	33	¼	27	¼
757 632	40	1¾	42	103		38	¼	32	¼
757 649	50	2¾	49	126	94	43	¼	32	¼

WS = wrench size



**Easytop XL Slanted seat valve
Model 2237.5XL**

Article	DN	G	n	L1	L2	L3	H1	H2	Ø1	Ø2
757 052	50	¼	4	55	175	16	194	83	165	18
757 069	65	¾	8	84	206	34	240	93	185	18
757 076	80	¾	8	88	222	29	250	100	200	18
757 083	100	¾	8	90	260	0	259	110	220	18

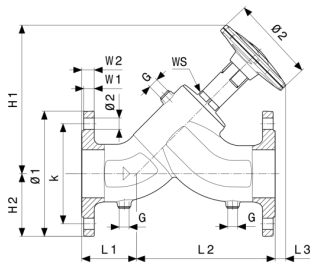
Article	DN	G	n	Ø3	W1	W2	k	WS
757 052	50	¼	4	98	15	18	125	32
757 069	65	¾	8	139	15	18	145	40
757 076	80	¾	8	139	17	20	160	40
757 083	100	¾	8	139	17	20	180	40

n = number of holes

Ø = diameter

k = bolt circle diameter

WS = wrench size

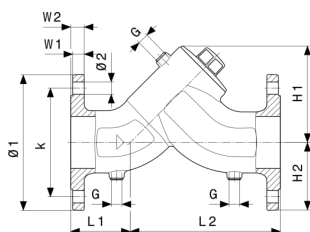


**Easytop XL KRV slanted seat valve
Model 2238.5XL**

Article	DN	G	n	L1	L2	L3	H1	H2	Ø1	Ø2
757 380	50	¼	4	55	175	9	186	83	165	18
757 397	65	⅜	8	84	206	28	233	93	185	18
757 403	80	⅜	8	88	222	23	244	100	200	18
757 410	100	⅜	8	90	260		253	110	220	18

Article	DN	G	n	Ø3	W1	W2	k	WS
757 380	50	¼	4	98	15	18	125	32
757 397	65	⅜	8	139	15	18	145	40
757 403	80	⅜	8	139	17	20	160	140
757 410	100	⅜	8	139	17	20	180	40

n = number of holes
 Ø = diameter
 k = bolt circle diameter
 WS = wrench size

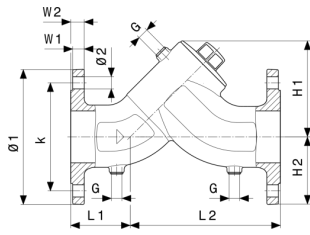


**Easytop XL Backflow preventer
Model 2239.4XL**

Article	DN	G	n	L1	L2	H1	H2	Ø1	Ø2	W1
757 717	50	¼	4	55	175	103	83	165	18	15
757 724	65	⅜	8	84	206	130	93	185	18	15
757 731	80	⅜	8	88	222	143	100	200	18	17
757 748	100	⅜	8	90	260	161	110	220	18	17

Article	DN	G	n	W2	WS
757 717	50	¼	4	18	32

n = number of holes
 Ø = diameter
 WS = wrench size



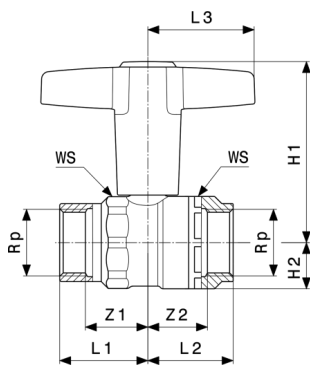
**Easytop XL Backflow preventer
Model 2239.4XL**

Article	DN	G	n	W2	WS
757 724	65	¾	8	18	40
757 731	80	¾	8	20	40
757 748	100	¾	8	20	40

n = number of holes

Ø = diameter

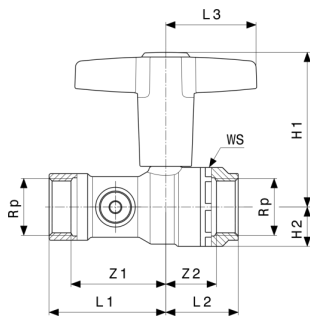
WS = wrench size



**Easytop Ball valve
Model 2275.2**

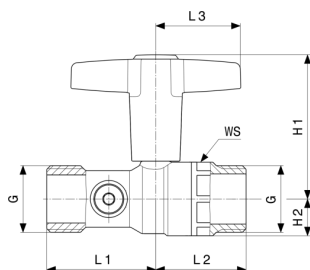
Article	DN	Rp	Z1	Z2	L1	L2	L3	H1	H2	WS
746 827	15	½	15	18	30	33	43	69	15	28
746 834	20	¾	19	18	35	34	43	72	18	35
746 841	25	1	22	22	41	41	51	92	23	43
746 858	32	1¼	27	26	48	48	51	97	28	49

WS = wrench size


**Easytop Ball valve
Model 2275.5**

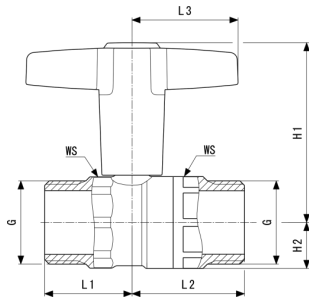
Article	DN	Rp	Z1	Z2	L1	L2	L3	H1	H2	WS
746 889	15	½	36	18	51	33	43	69	15	22
746 896	20	¾	38	18	55	34	43	72	18	35
746 902	25	1	45	22	61	41	51	91	22	43
746 919	32	1¼	47	26	69	48	51	97	28	49
746 926	40	1½	65	31	86	52	60	119	34	57
746 933	50	2	68	10	97	62	60	127	42	70

WS = wrench size


**Easytop Ball valve
Model 2275.6**

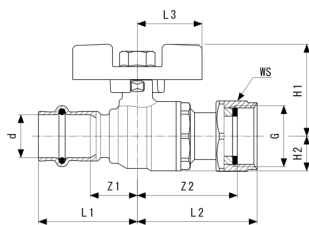
Article	DN	G	L1	L2	L3	H1	H2	WS
747 008	15	¾	51	45	43	69	15	28
747 015	20	1	55	45	43	72	18	35
747 022	25	1¼	61	51	51	91	22	42
747 039	32	1½	69	55	51	97	28	49
747 046	40	1¾	84	59	60	119	34	54
747 053	50	2¾	94	67	60	127	42	70

WS = wrench size


**Easytop Ball valve
Model 2275.1**

Article	DN	G	L1	L2	L3	H1	H2	WS
746 957	20	1	35	45	43	72	18	35
746 964	25	1¼	41	51	51	91	22	42

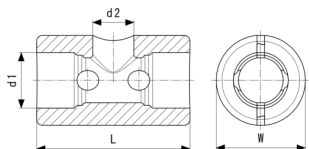
WS = wrench size


**Easytop Ball valve
Model 2275.7**

Article	DN	d	G	Z1	Z2	L1	L2	L3	H1	H2
747 060	15	15	¾	20	43	42	51	28	38	15
747 084	20	22	¾	21	43	45	51	28	41	18

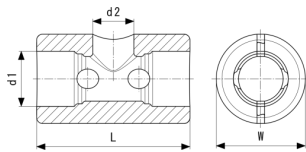
Article	DN	d	G	WS
747 060	15	15	¾	30
747 084	20	22	¾	30

WS = wrench size


**Easytop Insulating shell
Model 2275.90**

Article	for DN	d2	d1	L	W
747 435	15	27	38	115	62
747 442	20	27	47	130	78
747 459	25	43	57	160	93
747 466	32	43	67	168	102

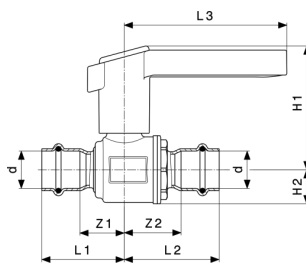
d = Pipe external diameter



Easytop Insulating shell
Model 2275.90

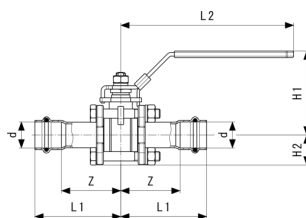
Article	for DN	d2	d1	L	W
747 473	40	44	68	198	115
747 480	50	44	87	220	153

d = Pipe external diameter



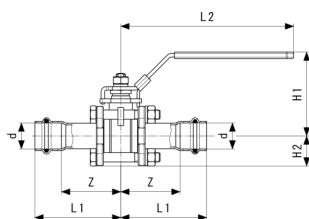
Easytop Inox Ball valve
Model 2370

Article	DN	d	Z1	Z2	L1	L2	L3	H1	H2
554 729	15	15	16	23	40	47	98	73	17
554 743	20	22	27	34	50	57	98	74	21
554 750	25	28	29	39	53	63	113	89	24
554 767	32	35	37	44	63	70	113	100	31
554 774	40	42	47	46	83	82	119	125	37
554 781	50	54	50	55	90	96	119	133	45



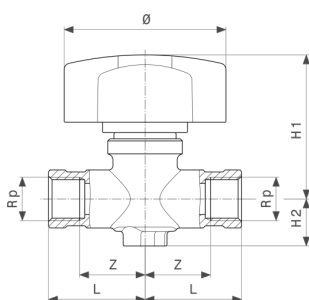
Easytop Ball valve
- non-corroding steel
Model 2375.8

Article	d	DN	Z	L1	L2	H1	H2
766 764	15	15	45	67	101	58	23
766 788	22	20	51	74	153	72	25
766 795	28	25					
766 801	35	32	58	84	190	85	35
766 818	42	40	77	113	190	91	39



Easytop Ball valve
- non-corroding steel
Model 2375.8

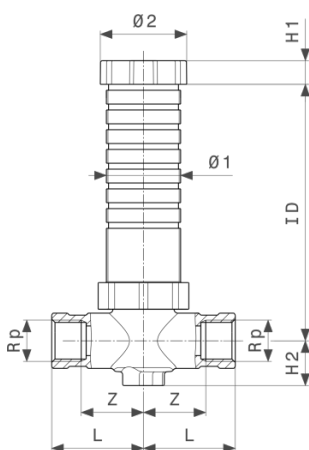
Article	d	DN	Z	L1	L2	H1	H2
766 825	54	50	83	123	190	99	46



Easytop Free-flow valve
Model 2278.1

Article	Rp	Z	L	H1	H2	Ø
747 299	½	32	47	70	23	79
747 305	¾	33	49	70	23	79

Ø = diameter

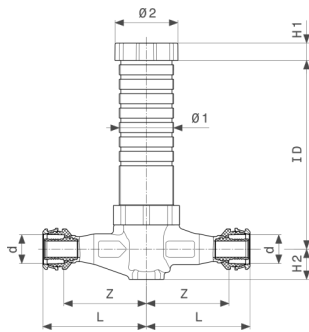


Easytop Concealed free-flow valve
Model 2278.6

Article	Rp	ID	Z	L	H1	H2	Ø1	Ø2
747 374	½	45-130	32	47	12	23	38	44
747 381	¾	45-130	33	49	12	23	38	44

ID = installation depth

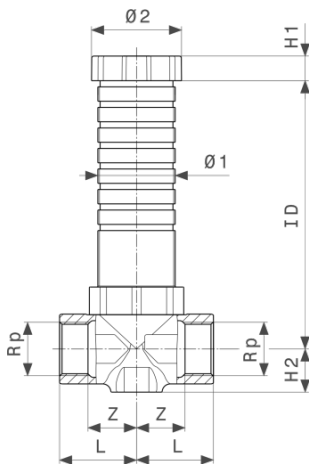
Ø = diameter



**Easytop Concealed straight seat valve
Model 5335.2**

Article	DN	d	ID	Z	L	H1	H2	Ø1	Ø2
758 066	15	16	45-130	57	72	12	21	38	44
758 073	15	20	45-130	57	72	12	21	38	44
758 080	20	25	45-130	56	76	12	21	38	44
758 097	25	32	45-130	58	78	12	23	38	44

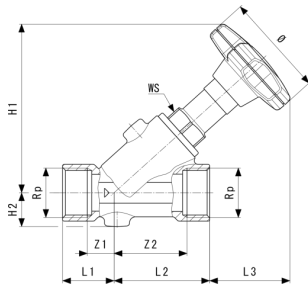
ID = installation depth
Ø = diameter



**Easytop Concealed straight seat valve
Model 2235.3**

Article	DN	Rp	ID	Z	L	H1	H2	Ø1	Ø2
755 638	15	½	45-130	23	38	12	21	38	44
755 645	20	¾	45-130	21	38	12	21	38	44
756 857	25	1	45-130	28	48	12	21	38	44

ID = installation depth
Ø = diameter

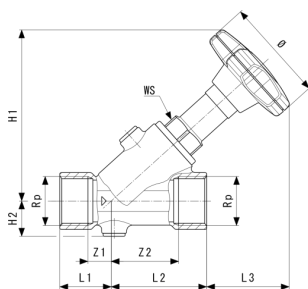


**Easytop Slanted seat valve
Model 2230.53**

Article	DN	Rp	Z1	Z2	L1	L2	L3	H1	H2	Ø
756 734	25	1	16	46	35	65	55	115	23	73
756 741	32	1¼	18	58	39	79	60	132	26	73
756 758	40	1½	22	66	43	87	74	154	29	98
756 765	50	2	21	78	47	103	89	182	35	98

Article	DN	Rp	WS
756 734	25	1	27
756 741	32	1¼	27
756 758	40	1½	32
756 765	50	2	32

Ø = diameter
WS = wrench size

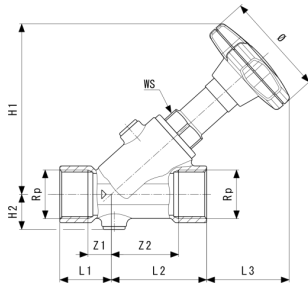


**Easytop KRV slanted seat valve
Model 2230.92**

Article	DN	Rp	Z1	Z2	L1	L2	L3	H1	H2	Ø
756 772	25	1	16	46	35	65	56	116	24	73
756 789	32	1¼	18	55	39	76	64	133	27	73
756 796	40	1½	22	66	43	87	69	149	30	98
756 802	50	2	21	77	47	103	81	175	36	98

Article	DN	Rp	WS
756 772	25	1	27

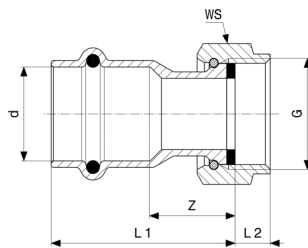
Ø = diameter
WS = wrench size



Easytop KRV slanted seat valve
Model 2230.92

Article	DN	Rp	WS
756 789	32	1¼	27
756 796	40	1½	32
756 802	50	2	32

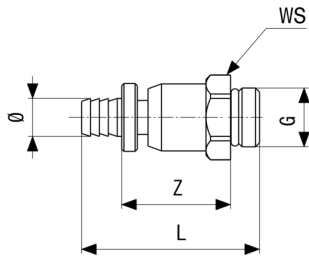
Ø = diameter
WS = wrench size



Sanpress Connection screw fitting
- gunmetal or silicon bronze
Model 2263

Article	VdS	d	G	Z	L1	L2	WS
265 663		15	¾	12	34	8	30
265 687	✓	22	1	16	39	8	37
265 700	✓	28	1¼	18	42	10	46
265 731	✓	35	1½	18	44	10	53
265 304	✓	42	1¾	22	58	11	60
265 328	✓	54	2¾	13	53	12	78

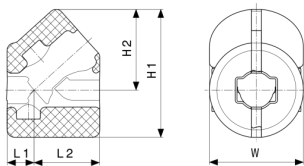
VdS = VdS certification
WS = wrench size



Easytop Drainage valve
- gunmetal
Model 2278.7

Article	G	Z	L	WS	Ø
747 398	¼	24	40	17	9

WS = wrench size
Ø = diameter



Easytop Insulating shell
Model 2210.12

Article	for DN	L1	L2	H1	H2	W
758 356	15	39	66	64	31	62
758 363	20	44	77	75	39	78
758 370	25	51	90	89	47	93
758 387	32	52	103	102	51	102
758 394	40	65	120	118	58	115
758 400	50	69	146	142	70	140

Imprint

Viega GmbH & Co. KG

Viega Platz 1
57439 Attendorn
Germany
Phone: +49/2722/61-0
Fax: +49/2722/61-1566

The Viega GmbH & Co. KG is represented by the general partners: Viega Management B.V. (Managing directors: Michael Klenz, Sebastian Lelgemann) and Viega Management GmbH (Managing directors: Michael Klenz, Sebastian Lelgemann)

The Submittal Package contains non-binding information that is being provided to you. All contents in the Submittal Package have been compiled with the greatest possible care and attention. Despite this, we are unable to guarantee that the information is up to date, accurate and complete. Placing an order does not automatically render the Submittal Package part of the contract.