

**threaded connectors made of gunmetal or silicon
bronze**

Submittal Package



viega

table of contents

| | | |
|---|---------------------------|----|
| 1 | Product group description | 3 |
| 2 | Certificates | 4 |
| 3 | Z dimensions | 5 |
| 4 | Imprint | 16 |

Product group description

Threaded connectors made of gunmetal or silicon bronze with bare or chrome-plated surface.

Marking

Manufacturer, pipe dimension, batch

Sealing elements

R-male thread knurled ex factory – no need to roughen before applying hemp.

Dimensions

$\frac{1}{8}$ –4

Note

Threaded connectors made of gunmetal or silicon bronze are suitable for the creation of potable water installations according to DIN 1988-200 and EN 806-2 in consideration of the selection of material in accordance with DIN EN 12502-1 and according to the evaluation basis for metallic materials in contact with potable water of the Umweltbundesamt (UBA) (German Federal Environment Agency). When used for other areas of use and when in doubt about the right selection of material, please contact Viega. The system components should be protected against high concentrations of chloride generated by both the medium and by external factors. Detailed information about applications, restrictions and national standards and directives can be found in the product information, either printed or on the Viega website.

Note – Standards and approvals

Threaded connectors made of gunmetal or silicon bronze in accordance with DIN EN 10226, Part 1, approved for potable water installations in accordance with DIN 1988 and gas installations in accordance with DVGW-TRGI 2018 (DVGW Worksheet G 600) (observe notes on the model), tested in accordance with DVGW Worksheet GW 6 and DIN 3523.

Threaded connector made of gunmetal or silicon bronze approval in accordance with DVGW-registration no. DV-7401AO2957.

Material press connector

Gunmetal: CC499K









silicon bronze: CC246E / CuSi4Zn9MnP

Subject to change without prior notice!

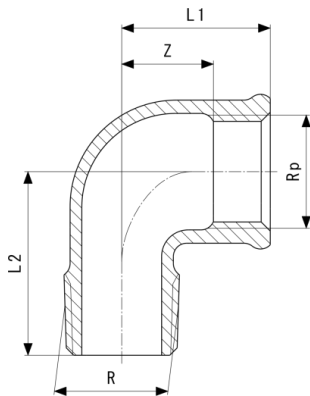
Latest Z- and installation dimensions as well as further technical information can be found on the Viega website and have to be checked before purchase, planning, construction work and use. Our products are continuously optimised.

This product description contains important information on choice of product and system, mounting, commissioning as well as intended use and, if required, on maintenance measures. This information on products, their features and application techniques is based on currently valid standards in Europe (e.g. EN) and/or in Germany (e.g. DIN/DVGW). Some passages in the text may refer to technical regulations in Europe/Germany. These should be considered as recommendations for other countries where no corresponding national requirements exist. The relevant national laws, standards, regulations, directives and other technical provisions take priority over the German/European directives specified in this product description: The information herein is not binding for other countries and regions and should be understood as recommendation.

Certificates

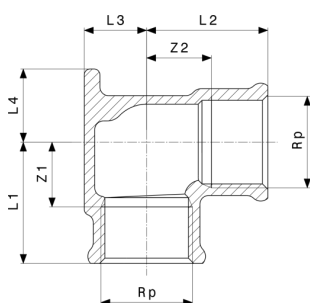
| | |
|---|--|
|  | <p>ÖVGW certificate bronze threaded fittings (3/8" - 3")</p> |
|  | <p>ÜA sign Profipress, solder fittings, threaded fittings</p> |
|  | <p>ÜA sign Sanpress, Raxofix, Maxiplex, bronze threaded fittings, solder fittings</p> |
|  | <p>SVGW certificate tap extensions (3/8" - 3")</p> |
|  | <p>SVGW certificate red brass threaded fittings (3/8" - 1")</p> |
|  | <p>DVGW type examination certificate Gunmetal threaded fittings</p> |
|  | <p>DVGW Baumusterprüfzertifikat tap extensions</p> |
| <p>VIK-HR</p> | <p>VIK-HR Inspection Certificate 3.2 Threaded fittings</p> |
| <p>EMI</p> | <p>EMI Certificate of Constancy of Performance Gunmetal threaded fittings</p> |
|  | <p>ICIM Hygiene certificate Profipress, Profipress XL, Sanpress Inox, Sanpress Inox XL, Sanpress, Sanpress XL, Sanfix Fosta, Raxofix, Smartpress, gunmetal threaded fittings, soldered fittings</p> |
| <p>EITS</p> | <p>EITS Technical Approval Brass and bronze threaded fittings</p> |

Z dimensions



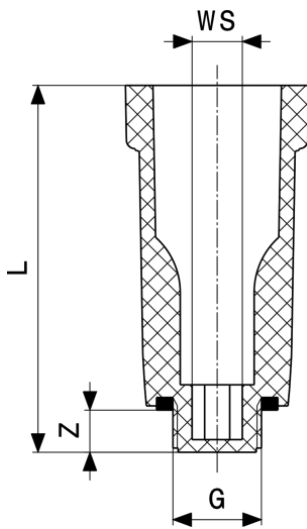
Elbow 90°
- gunmetal or silicon bronze
Model 3092

| Article | R | Rp | Z | L1 | L2 |
|----------------|----|----|----|----|-----|
| 318 000 | ¼ | ¼ | 10 | 18 | 29 |
| 281 748 | ⅜ | ⅜ | 17 | 29 | 32 |
| 264 024 | ½ | ½ | 17 | 28 | 34 |
| 264 000 | ¾ | ¾ | 20 | 30 | 40 |
| 264 048 | 1 | 1 | 20 | 32 | 47 |
| 264 109 | 1¼ | 1¼ | 29 | 43 | 51 |
| 264 123 | 1½ | 1½ | 39 | 60 | 59 |
| 264 147 | 2 | 2 | 32 | 58 | 79 |
| 321 710 | 2½ | 2½ | 45 | 65 | 90 |
| 650 704 | 3 | 3 | 61 | 82 | 100 |



Wall plate
- gunmetal or silicon bronze
Model 3471

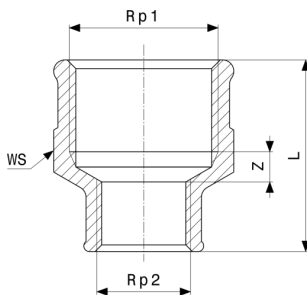
| Article | Rp | Z1 | Z2 | L1 | L2 | L3 | L4 |
|----------------|----|----|----|----|----|----|----|
| 259 778 | ½ | 21 | 16 | 36 | 31 | 14 | 21 |
| 441 449 | ¾ | 19 | 19 | 35 | 35 | 18 | 21 |



Pressure test plug
- plastic
Model 1516

| Article | G | Z | L | WS |
|----------------|-----|----|----|----|
| 107 796 | 3/8 | 10 | 87 | 8 |
| 100 124 | 1/2 | 10 | 87 | 10 |
| 102 746 | 3/4 | 13 | 90 | 14 |

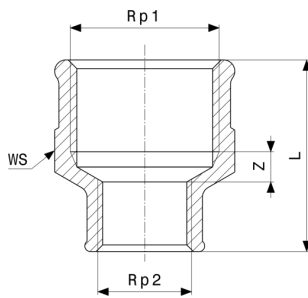
WS = wrench size



Reducing coupling
- gunmetal or silicon bronze
Model 3240

| Article | Rp1 | Rp2 | CP | Z | L | WS |
|----------------|-------|-----|----|----|----|----|
| 282 103 | 3/8 | 1/4 | | 3 | 26 | 21 |
| 318 031 | 1/2 | 1/4 | | 5 | 31 | 26 |
| 268 879 | 1/2 | 3/8 | | 5 | 31 | 26 |
| 266 370 | 3/4 | 3/8 | | 5 | 34 | 31 |
| 268 862 | 3/4 | 1/2 | | 5 | 32 | 31 |
| 266 363 | 1 | 1/2 | | 13 | 34 | 26 |
| 266 356 | 1 | 3/4 | | 7 | 36 | 38 |
| 266 431 | 1 1/4 | 3/4 | | 8 | 45 | 47 |
| 266 417 | 1 1/4 | 1 | | 6 | 49 | 47 |

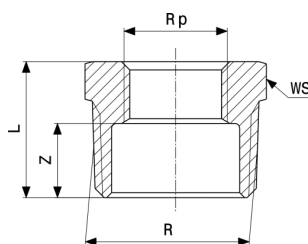
CP = chrome-plated
WS = wrench size



Reducing coupling
- gunmetal or silicon bronze
Model 3240

| Article | Rp1 | Rp2 | CP | Z | L | WS |
|----------------|-----|-----|----|----|----|----|
| 271 879 | 1½ | ¾ | | 10 | 41 | 53 |
| 267 520 | 1½ | 1 | | 8 | 48 | 53 |
| 266 394 | 1½ | 1¼ | | 5 | 47 | 53 |
| 271 893 | 2 | 1¼ | | 2 | 50 | 66 |
| 267 544 | 2 | 1½ | | 0 | 47 | 66 |
| 271 855 | 2½ | 2 | | 16 | 58 | 83 |
| 650 780 | 3 | 2½ | | 27 | 67 | |
| 447 809 | ¾ | ¼ | ✓ | | | |
| 447 816 | ½ | ¾ | ✓ | 4 | 31 | 26 |
| 447 823 | ¾ | ½ | ✓ | 5 | 32 | 31 |
| 447 830 | 1 | ½ | ✓ | 13 | 34 | 26 |
| 447 847 | 1 | ¾ | ✓ | 7 | 36 | 38 |

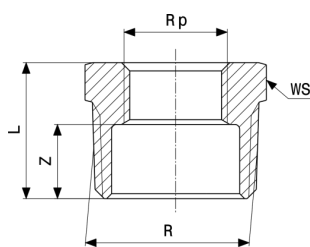
CP = chrome-plated
WS = wrench size



Reducer
- gunmetal or silicon bronze
Model 3241

| Article | R | Rp | CP | Z | L | WS |
|----------------|---|----|----|----|----|----|
| 441 104 | ¼ | ⅛ | | 9 | 17 | 14 |
| 441 111 | ⅜ | ⅛ | | 10 | 17 | 18 |
| 281 823 | ⅜ | ¼ | | 6 | 17 | 18 |
| 441 098 | ½ | ⅛ | | 14 | 21 | 22 |
| 319 076 | ½ | ¼ | | 11 | 22 | 22 |

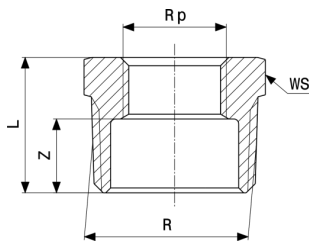
CP = chrome-plated
WS = wrench size



Reducer
- gunmetal or silicon bronze
Model 3241

| Article | R | Rp | CP | Z | L | WS |
|---------|----|----|----|----|----|----|
| 266 516 | ½ | ¾ | | 10 | 22 | 22 |
| 320 409 | ¾ | ¼ | | 12 | 23 | 27 |
| 266 509 | ¾ | ¾ | | 12 | 23 | 27 |
| 266 493 | ¾ | ½ | | 8 | 23 | 27 |
| 266 455 | 1 | ¾ | | 16 | 27 | 34 |
| 266 486 | 1 | ½ | | 13 | 28 | 34 |
| 266 479 | 1 | ¾ | | 11 | 28 | 34 |
| 267 582 | 1¼ | ½ | | 16 | 31 | 43 |
| 267 568 | 1¼ | ¾ | | 15 | 31 | 44 |
| 266 462 | 1¼ | 1 | | 12 | 31 | 44 |
| 267 742 | 1½ | ½ | | 17 | 32 | 50 |
| 267 728 | 1½ | ¾ | | 15 | 31 | 50 |
| 267 605 | 1½ | 1 | | 12 | 31 | 50 |
| 267 704 | 1½ | 1¼ | | 10 | 31 | 50 |
| 317 089 | 2 | ½ | | 21 | 36 | 62 |
| 267 681 | 2 | ¾ | | 20 | 36 | 62 |
| 267 667 | 2 | 1 | | 18 | 37 | 61 |
| 267 643 | 2 | 1¼ | | 15 | 37 | 61 |
| 267 629 | 2 | 1½ | | 15 | 37 | 61 |
| 321 772 | 2½ | 1 | | 26 | 45 | 80 |
| 321 765 | 2½ | 1¼ | | 20 | 41 | 78 |
| 321 864 | 2½ | 1½ | | 20 | 41 | 78 |
| 322 533 | 2½ | 2 | | 16 | 41 | 78 |
| 321 840 | 3 | 1½ | | 31 | 52 | 60 |
| 321 857 | 3 | 2 | | 28 | 54 | 72 |
| 321 871 | 3 | 2½ | | 20 | 50 | 95 |
| 321 888 | 4 | 3 | | 23 | 56 | 13 |
| 447 946 | ¼ | ⅝ | ✓ | 10 | 17 | 14 |

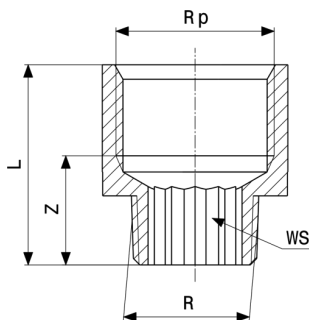
CP = chrome-plated
WS = wrench size



Reducer
- gunmetal or silicon bronze
Model 3241

| Article | R | Rp | CP | Z | L | WS |
|---------|-------|-----|----|----|----|----|
| 447 953 | 3/8 | 1/8 | ✓ | 10 | 17 | 18 |
| 447 960 | 3/8 | 1/4 | ✓ | 10 | 17 | 18 |
| 447 977 | 1/2 | 1/8 | ✓ | 13 | 22 | 22 |
| 447 984 | 1/2 | 1/4 | ✓ | 13 | 22 | 22 |
| 447 991 | 1/2 | 3/8 | ✓ | 13 | 22 | 22 |
| 448 011 | 3/4 | 3/8 | ✓ | 15 | 23 | 27 |
| 448 028 | 3/4 | 1/2 | ✓ | 15 | 23 | 27 |
| 448 042 | 1 | 1/2 | ✓ | 17 | 28 | 34 |
| 448 059 | 1 | 3/4 | ✓ | 17 | 28 | 34 |
| 448 073 | 1 1/4 | 1 | ✓ | 19 | 31 | 44 |

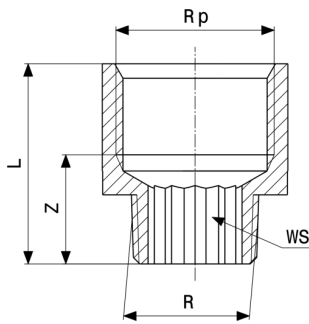
CP = chrome-plated
WS = wrench size



Reducer
- gunmetal or silicon bronze
Model 3242

| Article | R | Rp | CP | Z | L | WS |
|---------|-----|-----|----|----|----|----|
| 441 128 | 1/8 | 1/4 | | 14 | 25 | 6 |
| 441 135 | 1/8 | 3/8 | | 15 | 26 | 6 |
| 322 540 | 1/4 | 3/8 | | 15 | 27 | |
| 322 564 | 3/8 | 1/2 | | 17 | 32 | 10 |
| 322 557 | 3/8 | 3/4 | | 19 | 35 | 10 |
| 319 083 | 1/2 | 3/8 | | 17 | 28 | 10 |
| 320 423 | 1/2 | 3/4 | | 21 | 37 | 12 |

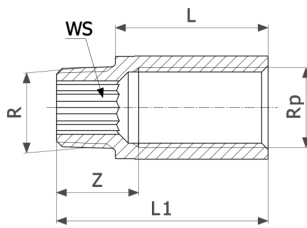
CP = chrome-plated
WS = wrench size



Reducer
- gunmetal or silicon bronze
Model 3242

| Article | R | Rp | CP | Z | L | WS |
|----------------|----|----|----|----|----|----|
| 320 430 | ½ | 1 | | 19 | 39 | |
| 650 889 | ½ | 1¼ | | 31 | 52 | |
| 441 142 | ¾ | ½ | | 25 | 40 | |
| 335 311 | ¾ | 1 | | 23 | 42 | |
| 441 357 | ¾ | 1¼ | | 31 | 52 | |
| 650 841 | ¾ | 1½ | | 32 | 53 | |
| 359 348 | 1 | 1¼ | | 27 | 48 | |
| 650 858 | 1 | 1½ | | 33 | 54 | |
| 650 872 | 1 | 2 | | 34 | 60 | |
| 650 865 | 1¼ | 1½ | | 33 | 54 | |
| 448 097 | ⅛ | ¼ | ✓ | 14 | 25 | 6 |
| 448 103 | ⅛ | ⅜ | ✓ | 15 | 26 | 6 |
| 448 110 | ¼ | ⅜ | ✓ | 15 | 27 | |
| 448 127 | ⅜ | ½ | ✓ | 17 | 32 | 10 |
| 448 134 | ⅜ | ¾ | ✓ | 19 | 35 | 10 |
| 448 141 | ½ | ⅜ | ✓ | 17 | 28 | 10 |
| 448 158 | ½ | ¾ | ✓ | 21 | 37 | 12 |
| 448 165 | ¾ | ½ | ✓ | 25 | 40 | |
| 448 172 | ¾ | 1 | ✓ | 23 | 42 | |

CP = chrome-plated
WS = wrench size



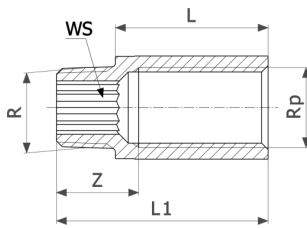
Extension
- gunmetal or silicon bronze
Model 3525

| Article | R | Rp | L | RpS | Z | L1 | WS |
|----------------------------|-----|-----|------|-----|-----|-----|----|
| 440 312¹ | 3/8 | 3/8 | 10 | | 16 | 22 | 10 |
| 354 923 | 3/8 | 3/8 | 15 | | 16 | 27 | 10 |
| 354 930 | 3/8 | 3/8 | 20 | | 18 | 32 | 10 |
| 354 947 | 3/8 | 3/8 | 25 | | 18 | 37 | 10 |
| 354 954 | 3/8 | 3/8 | 30 | | 18 | 42 | 10 |
| 359 539 | 3/8 | 3/8 | 40 | | 17 | 52 | 10 |
| 359 553 | 3/8 | 3/8 | 50 | ✓ | 17 | 62 | 10 |
| 364 854¹ | 1/2 | 1/2 | 12.5 | | 19 | 28 | 12 |
| 651 121¹ | 1/2 | 1/2 | 15 | | 19 | 31 | 12 |
| 354 961 | 1/2 | 1/2 | 17.5 | | 18 | 33 | 12 |
| 354 978 | 1/2 | 1/2 | 20 | | 21 | 36 | 12 |
| 354 985 | 1/2 | 1/2 | 25 | | 22 | 41 | 12 |
| 354 992 | 1/2 | 1/2 | 30 | | 22 | 46 | 12 |
| 355 005 | 1/2 | 1/2 | 40 | | 22 | 56 | 12 |
| 355 012 | 1/2 | 1/2 | 50 | ✓ | 21 | 66 | 12 |
| 357 221 | 1/2 | 1/2 | 65 | ✓ | 21 | 81 | 12 |
| 357 238 | 1/2 | 1/2 | 80 | ✓ | 29 | 96 | 12 |
| 357 245 | 1/2 | 1/2 | 100 | ✓ | 61 | 116 | 12 |
| 440 299 | 1/2 | 1/2 | 120 | | 71 | 136 | 12 |
| 440 305 | 1/2 | 1/2 | 150 | | 101 | 166 | 12 |
| 440 558¹ | 3/4 | 3/4 | 12.5 | | 21 | 30 | 17 |
| 364 861¹ | 3/4 | 3/4 | 15 | | 20 | 32 | 17 |
| 355 029 | 3/4 | 3/4 | 20 | | 21 | 37 | 17 |
| 355 036 | 3/4 | 3/4 | 25 | | 26 | 42 | 17 |
| 355 043 | 3/4 | 3/4 | 30 | | 23 | 47 | 17 |
| 355 050 | 3/4 | 3/4 | 40 | | 23 | 57 | 17 |
| 357 252 | 3/4 | 3/4 | 50 | ✓ | 22 | 67 | 17 |
| 357 269 | 3/4 | 3/4 | 65 | ✓ | 22 | 82 | 17 |

RpS = Rp-thread can be shortened

WS = wrench size

¹⁾ without DVGW test mark



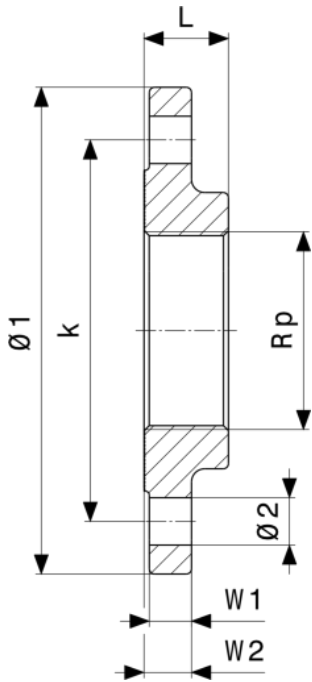
Extension
- gunmetal or silicon bronze
Model 3525

| Article | R | Rp | L | RpS | Z | L1 | WS |
|----------------------------|----|----|-----|-----|----|-----|----|
| 359 584 | ¾ | ¾ | 80 | ✓ | 37 | 97 | 17 |
| 359 577 | ¾ | ¾ | 100 | ✓ | 62 | 117 | 17 |
| 440 572¹ | 1 | 1 | 15 | | 25 | 35 | 22 |
| 440 589¹ | 1 | 1 | 20 | | 25 | 40 | 22 |
| 357 184 | 1 | 1 | 25 | | 25 | 45 | 22 |
| 357 191 | 1 | 1 | 30 | | 30 | 50 | 22 |
| 357 207 | 1 | 1 | 40 | | 23 | 60 | 22 |
| 357 214 | 1 | 1 | 50 | | 25 | 70 | 22 |
| 440 596 | 1 | 1 | 65 | | 25 | 85 | 22 |
| 440 466 | 1 | 1 | 80 | | 40 | 100 | 22 |
| 440 473 | 1 | 1 | 100 | | 55 | 120 | 22 |
| 440 497¹ | 1¼ | 1¼ | 20 | | 27 | 42 | 27 |
| 440 503 | 1¼ | 1¼ | 25 | | 27 | 47 | 27 |
| 440 510 | 1¼ | 1¼ | 30 | | 27 | 52 | 27 |
| 440 527 | 1¼ | 1¼ | 40 | | 41 | 62 | 27 |
| 440 534 | 1¼ | 1¼ | 50 | | 51 | 72 | 27 |

RpS = Rp-thread can be shortened

WS = wrench size

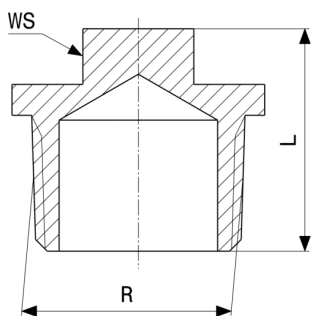
¹⁾ without DVGW test mark



Sanpress XL Flange
- gunmetal or silicon bronze
Model 2259.2XL

| Article | DN | Rp | Ø1 | L | W1 | W2 | Ø2 | k | n |
|----------------|-----|----|-----|----|----|----|----|-----|---|
| 641 597 | 65 | 2½ | 185 | 32 | 16 | 18 | 18 | 145 | 8 |
| 641 603 | 80 | 3 | 200 | 34 | 18 | 20 | 18 | 160 | 8 |
| 641 610 | 100 | 4 | 220 | 38 | 18 | 20 | 18 | 180 | 8 |

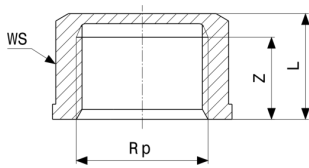
Ø = diameter
k = bolt circle diameter
n = number of holes



Plug
- gunmetal or silicon bronze
Model 3290

| Article | R | L | WS |
|----------------|---|----|----|
| 320 089 | ¾ | 26 | 14 |

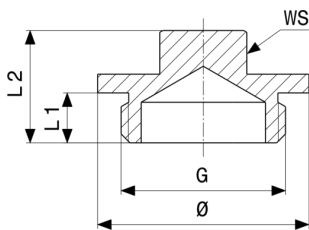
WS = wrench size



Cap
- gunmetal or silicon bronze
Model 3301

| Article | Rp | Z | L | WS |
|----------------|----|----|----|----|
| 266 653 | ¾ | 16 | 21 | 30 |

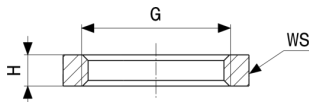
WS = wrench size



Plug
- brass
Model 1751

| Article | G | L1 | L2 | WS | Ø |
|----------------|---|----|----|----|----|
| 113 797 | ¾ | 8 | 18 | 14 | 34 |

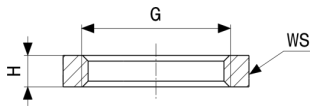
WS = wrench size
Ø = diameter



Hexagonal nut
- brass
Model 1911

| Article | G | H | WS |
|----------------|----|---|----|
| 117 290 | ⅙ | 5 | 19 |
| 109 264 | ¼ | 5 | 22 |
| 104 696 | ⅜ | 5 | 25 |
| 102 241 | ½ | 6 | 28 |
| 103 347 | ¾ | 6 | 33 |
| 106 195 | 1 | 6 | 41 |
| 113 391 | 1¼ | 6 | 51 |
| 120 115 | 1½ | 6 | 58 |
| 128 302 | 2 | 6 | 70 |
| 140 083 | ¼ | 5 | 22 |
| 108 144 | ⅜ | 5 | 25 |
| 108 670 | ½ | 6 | 28 |

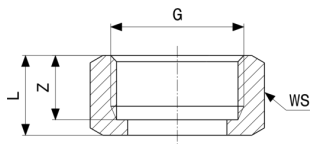
WS = wrench size



Hexagonal nut
- brass
Model 1911

| Article | G | H | WS |
|----------------|---|---|----|
| 117 313 | ¾ | 6 | 33 |
| 139 162 | 1 | 6 | 41 |
| 134 945 | 2 | 6 | 70 |

WS = wrench size



Union nut
- brass
Model 1121-654

| Article | G | d | Z | L | WS |
|----------------|----|------|----|----|----|
| 110 208 | ½ | 16.7 | 10 | 12 | 23 |
| 107 895 | ¾ | 22 | 12 | 15 | 29 |
| 105 709 | 1 | 26.8 | 13 | 16 | 36 |
| 103 811 | 1¼ | 33.8 | 14 | 17 | 46 |
| 115 531 | 1½ | 42.4 | 15 | 18 | 52 |
| 119 492 | 2 | 50.5 | 19 | 22 | 65 |

WS = wrench size

Imprint

Viega GmbH & Co. KG

Viega Platz 1
57439 Attendorn
Germany
Phone: +49/2722/61-0
Fax: +49/2722/61-1566

The Viega GmbH & Co. KG is represented by the general partners: Viega Management B.V. (Managing directors: Michael Klenz, Sebastian Lelgemann) and Viega Management GmbH (Managing directors: Michael Klenz, Sebastian Lelgemann)

The Submittal Package contains non-binding information that is being provided to you. All contents in the Submittal Package have been compiled with the greatest possible care and attention. Despite this, we are unable to guarantee that the information is up to date, accurate and complete. Placing an order does not automatically render the Submittal Package part of the contract.