

Viega Speedpress

Submittal Package



table of contents

1	Product group description	3
2	Certificates	5
3	Z dimensions	6
4	Imprint	12

Product group description

Press connector system with plastic or multi-layer pipes for potable water and heating installations. Press connectors with PPSU support body to ensure the leak tightness and mechanical strength of the connection.

Multi-layer pipe

exterior colour white

suitable for potable water and heating installations

Flexible plastic pipe

exterior colour natural

suitable for potable water and heating installations

Marking

Manufacturer, pipe dimension or system name, batch, green dot on press end, system approvals

Press connector with SC-Contur

Inadvertently unpressed connections are noticed immediately during a leakage test.

Viega guarantees the detection of unpressed connections in the following pressure ranges:

min. water pressure: 0.1 MPa / 100 kPa / 1 bar / 14.5 PSI

max. water pressure: 0.65 MPa / 650 kPa / 6.5 bar / 94.3 PSI

min. air pressure: 22 hPa / 2.2 kPa / 22 mbar / 0.3 PSI

max. air pressure: 0.3 MPa / 300 kPa / 3 bar / 43.5 PSI

Dimensions

d16–25

Tools

The functional safety of Viega press connector systems depends primarily on the faultless condition of the press tools used. Viega recommends the use of Viega press tools for pressing Viega press connectors.

Areas of application

Potable water

Note

The press connector system Viega Speedpress is suitable for the creation of potable water installations according to DIN 1988-200 and EN 806-2 in consideration of the selection of material in accordance with DIN EN 12502-1 and according to the evaluation basis for metallic materials in contact with potable water of the Umweltbundesamt (UBA) (German Federal Environment Agency). When used for other areas of application and when in doubt about the right selection of material, please contact Viega. The system components should be protected against high concentrations of chloride generated by both the medium and by external factors.

Note – Standards and approvals

KIWA certified and tested in acc. with DIN EN ISO 22391 and DIN EN ISO 21003.

Operating conditions for potable water installations

operating temperature max. 70 °C / 158 °F

operating pressure max. 1.0 MPa / 10 bar / 145 PSI

Irrelevant of the flow direction, mixed installations are permitted.

Material press connector

Brass

PPSU

Subject to change without prior notice!

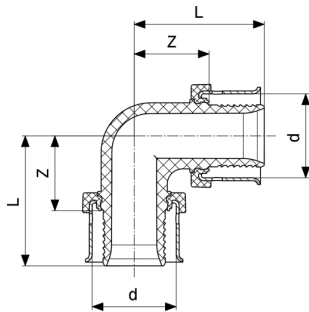
Latest Z- and installation dimensions as well as further technical information can be found on the Viega website and have to be checked before purchase, planning, construction work and use. Our products are continuously optimised.

This product description contains important information on choice of product and system, mounting, commissioning as well as intended use and, if required, on maintenance measures. This information on products, their features and application techniques is based on currently valid standards in Europe (e.g. EN) and/or in Germany (e.g. DIN/DVGW). Some passages in the text may refer to technical regulations in Europe/Germany. These should be considered as recommendations for other countries where no corresponding national requirements exist. The relevant national laws, standards, regulations, directives and other technical provisions take priority over the German/European directives specified in this product description: The information herein is not binding for other countries and regions and should be understood as recommendation.

Certificates

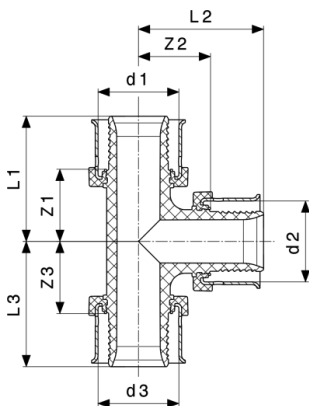
	<p>KIWA Product certificate PE-RT/Al pipes</p>
	<p>KIWA Product certificate Viega Speedpress PE-RT piping system</p>
	<p>KIWA Product certificate Viega Speedpress PE-RT/Al/PE-RT piping system</p>

Z dimensions



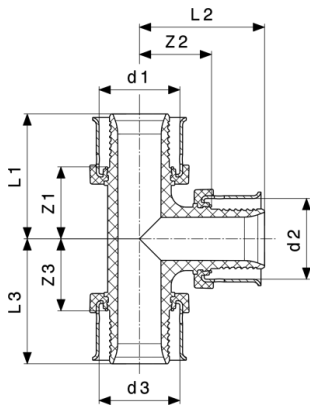
Viega Speedpress Elbow 90°
- PPSU
Model K5816

Article	Z	L
783 402	16	30
783 419	18	32
783 426	21	38



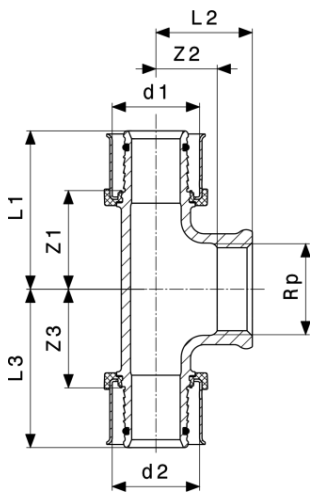
Viega Speedpress T-piece
- PPSU
Model K5818

Article	d1	d2	d3	Z1	Z2	Z3	L1	L2	L3
783 433	16	16	16	16	16	16	29	29	29
783 457	20	16	16	16	17	16	29	31	29
783 464	20	16	20	16	17	16	29	31	29
783 471	20	20	16	18	18	18	32	32	32
783 440	20	20	20	18	18	18	31	31	31
783 495	25	16	20	17	21	17	30	34	34
783 501	25	16	25	17	21	17	34	34	34
783 518	25	20	20	18	21	18	32	34	36
783 525	25	20	25	18	21	18	36	34	36
783 532	25	25	16	21	21	21	34	38	34
783 549	25	25	20	21	21	21	34	38	34



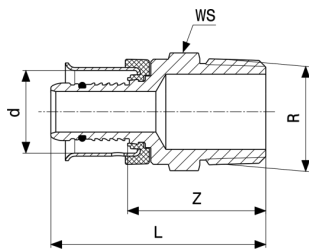
Viega Speedpress T-piece
- PPSU
Model K5818

Article	d1	d2	d3	Z1	Z2	Z3	L1	L2	L3
783 488	25	25	25	21	21	21	38	38	38



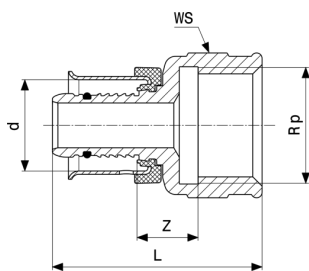
Viega Speedpress T-piece
- brass
Model K5817

Article	d1	d2	Rp	Z1	Z2	Z3	L1	L2	L3
783 273	16	16	½	23	7	23	39	22	39
783 280	20	20	½	23	9	23	40	24	40
783 297	25	25	¾	28	12	28	49	28	49



Viega Speedpress Adapter
- brass
Model K5811

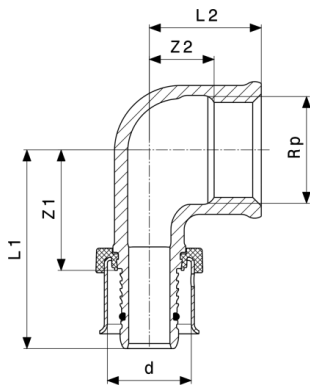
Article	d	R	Z	L
782 344	16	½	30	45
783 150	20	½	30	46
783 167	20	¾	32	49
783 181	25	¾	32	53
783 174	25	1	37	57



Viega Speedpress Adapter
- brass
Model K5812

Article	d	Rp	Z	L	WS
783 198	16	½	23	36	26
783 204	20	½	23	35	26
783 211	20	¾	23	36	32
783 228	25	¾	23	40	32
783 235	25	1	26	43	39

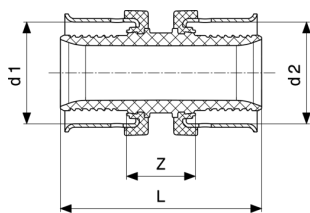
WS = wrench size



Viega Speedpress Adapter elbow 90°
- brass
Model K5814.1

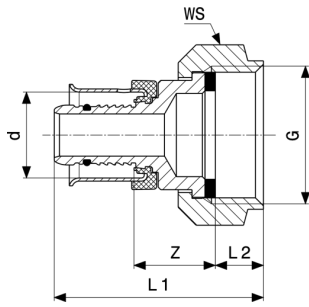
Article	d	Rp	Z1	Z2	L1	L2	WS
783 242	16	½	23	7	39	22	26
783 259	20	½	23	9	40	24	26
783 266	20	¾	28	7	45	26	32

WS = wrench size



Viega Speedpress Coupling
- PPSU
Model K5815

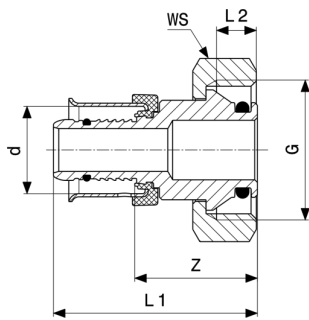
Article	d1	d2	Z	L
783 341	16	16	14	41
783 365	20	16	14	41
783 358	20	20	14	41
783 389	25	16	14	45
783 396	25	20	14	45
783 372	25	25	14	49



Viega Speedpress Connection screw fitting
- brass
Model K5863

Article	d	G	Z	L1	L2	WS
783 303	16	½	17	5	37	26
783 310	20	¾	20	8	45	31
783 327	25	¾	22	8	51	31
783 334	25	1	20	9	49	38

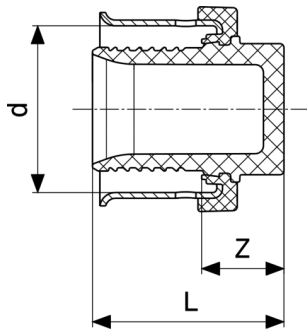
WS = wrench size



Viega Speedpress Connection screw fitting
- brass
Model K5835

Article	d	G	Z	L1	L2	WS
783 563	16	¾	23	39	8	31

WS = wrench size



Viega Speedpress Cap
- PPSU
Model K5856

Article	d	Z	L
783 570	16	10	23
783 587	20	10	23
783 594	25	10	27

Imprint

Viega GmbH & Co. KG

Viega Platz 1
57439 Attendorn
Germany
Phone: +49/2722/61-0
Fax: +49/2722/61-1566

The Viega GmbH & Co. KG is represented by the general partners: Viega Management B.V. (Managing directors: Michael Klenz, Sebastian Leigemann) and Viega Management GmbH (Managing directors: Michael Klenz, Sebastian Leigemann)

The Submittal Package contains non-binding information that is being provided to you. All contents in the Submittal Package have been compiled with the greatest possible care and attention. Despite this, we are unable to guarantee that the information is up to date, accurate and complete. Placing an order does not automatically render the Submittal Package part of the contract.