

**threaded connectors made of gunmetal or silicon
bronze**

Submittal Package



viega

table of contents

1	Product group description	3
2	Certificates	4
3	Z dimensions	5
4	Imprint	36

Product group description

Threaded connectors made of gunmetal or silicon bronze with bare or chrome-plated surface.

Marking

Manufacturer, pipe dimension, batch

Sealing elements

R-male thread knurled ex factory – no need to roughen before applying hemp.

Dimensions

1/8–4

Note

Threaded connectors made of gunmetal or silicon bronze are suitable for the creation of potable water installations according to DIN 1988-200 and EN 806-2 in consideration of the selection of material in accordance with DIN EN 12502-1 and according to the evaluation basis for metallic materials in contact with potable water of the Umweltbundesamt (UBA) (German Federal Environment Agency). When used for other areas of use and when in doubt about the right selection of material, please contact Viega. The system components should be protected against high concentrations of chloride generated by both the medium and by external factors. Detailed information about applications, restrictions and national standards and directives can be found in the product information, either printed or on the Viega website.

Note – Standards and approvals

Threaded connectors made of gunmetal or silicon bronze in accordance with DIN EN 10226, Part 1, approved for potable water installations in accordance with DIN 1988 and gas installations in accordance with DVGW-TRGI 2018 (DVGW Worksheet G 600) (observe notes on the model), tested in accordance with DVGW Worksheet GW 6 and DIN 3523.

Threaded connector made of gunmetal or silicon bronze approval in accordance with DVGW-registration no. DV-7401AO2957.

Gunmetal: CC499K








silicon bronze: CC246E / CuSi4Zn9MnP

Subject to change without prior notice!

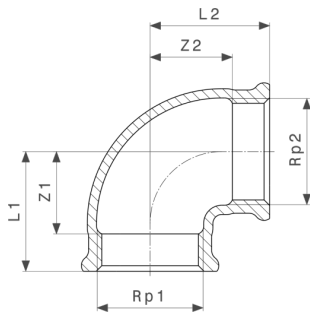
Latest Z- and installation dimensions as well as further technical information can be found on the Viega website and have to be checked before purchase, planning, construction work and use. Our products are continuously optimised.

This product description contains important information on choice of product and system, mounting, commissioning as well as intended use and, if required, on maintenance measures. This information on products, their features and application techniques is based on currently valid standards in Europe (e.g. EN) and/or in Germany (e.g. DIN/DVGW). Some passages in the text may refer to technical regulations in Europe/Germany. These should be considered as recommendations for other countries where no corresponding national requirements exist. The relevant national laws, standards, regulations, directives and other technical provisions take priority over the German/European directives specified in this product description: The information herein is not binding for other countries and regions and should be understood as recommendation.

Certificates

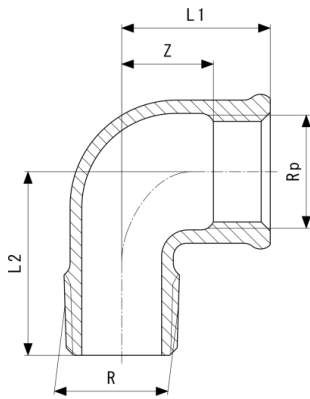
	<p>ÖVGW certificate bronze threaded fittings (3/8" - 3")</p>
	<p>ÜA sign Profipress, solder fittings, threaded fittings</p>
	<p>ÜA sign Sanpress, Raxofix, Maxiplex, bronze threaded fittings, solder fittings</p>
	<p>SVGW certificate tap extensions (3/8" - 3")</p>
	<p>SVGW certificate red brass threaded fittings (3/8" - 1")</p>
	<p>DVGW type examination certificate Gunmetal threaded fittings</p>
	<p>DVGW Baumusterprüfzertifikat tap extensions</p>
<p>VIK-HR</p>	<p>VIK-HR Inspection Certificate 3.2 Threaded fittings</p>
<p>EMI</p>	<p>EMI Certificate of Constancy of Performance Gunmetal threaded fittings</p>
	<p>ICIM Hygiene certificate Profipress, Profipress XL, Sanpress Inox, Sanpress Inox XL, Sanpress, Sanpress XL, Sanfix Fosta, Raxofix, Smartpress, gunmetal threaded fittings, soldered fittings</p>
<p>EITS</p>	<p>EITS Technical Approval Brass and bronze threaded fittings</p>

Z dimensions



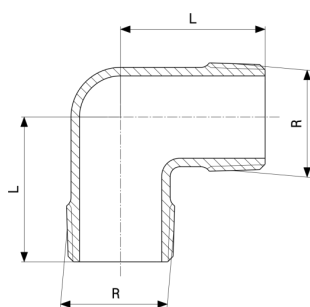
Elbow 90°
- gunmetal or silicon bronze
Model 3090

Article	Rp1	Rp2	Z1	Z2	L1	L2
441 074	1/8	1/8	15	15	23	23
317 959	1/4	1/4	7	7	18	18
281 717	3/8	3/8	12	12	24	24
269 272	1/2	1/2	15	15	30	30
320 676	1/2	3/8	9	14	24	26
269 258	3/4	3/4	13	13	30	30
320 669	3/4	1/2	11	15	27	30
269 234	1	1	18	18	38	38
320 683	1	3/4	14	20	33	36
269 210	1 1/4	1 1/4	29	29	50	50
269 197	1 1/2	1 1/2	33	33	54	54
269 296	2	2	37	37	63	63
321 796	2 1/2	2 1/2	42	42	72	72
650 698	3	3	49	49	82	82



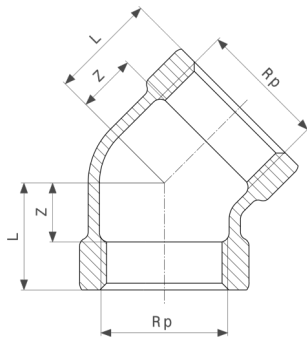
Elbow 90°
- gunmetal or silicon bronze
Model 3092

Article	R	Rp	Z	L1	L2
318 000	¼	¼	10	18	29
281 748	⅜	⅜	17	29	32
264 024	½	½	17	28	34
264 000	¾	¾	20	30	40
264 048	1	1	20	32	47
264 109	1¼	1¼	29	43	51
264 123	1½	1½	39	60	59
264 147	2	2	32	58	79
321 710	2½	2½	45	65	90
650 704	3	3	61	82	100



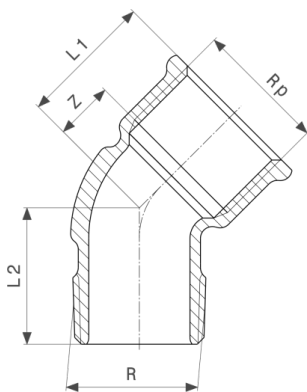
Elbow 90°
- gunmetal or silicon bronze
Model 3091

Article	R	L
317 966	⅜	29
317 973	½	32
317 980	¾	40
317 997	1	45



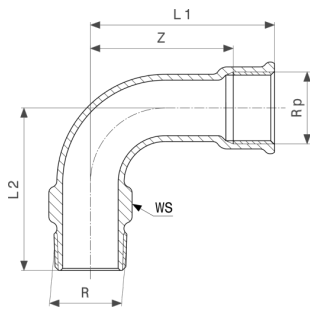
Elbow 45°
- gunmetal or silicon bronze
Model 3120

Article	Rp	Z	L
318 048	3/8	8	19
320 690	1/2	7	22
320 645	3/4	9	25
320 652	1	9	28
650 728	2	14	40



Elbow 45°
- gunmetal or silicon bronze
Model 3121

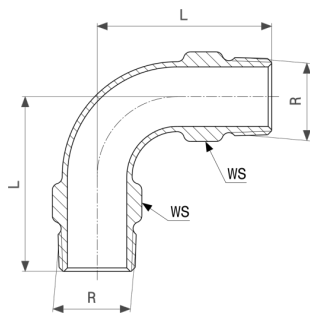
Article	R	Rp	Z	L1	L2
281 755	3/8	3/8	10	22	23
264 208	1/2	1/2	8	23	31
264 185	3/4	3/4	13	30	31
264 161	1	1	15	34	35
448 271	1 1/4	1 1/4	24	45	40
448 288	1 1/2	1 1/2	26	47	45
650 711	2	2	26	52	56



Elbow 90°
- gunmetal or silicon bronze
Model 3001

Article	R	Rp	Z	L1	L2	WS
294 571	1	1	66	85	75	36
294 595	1¼	1¼	84	105	95	44
294 618	1½	1½	84	105	105	51

WS = wrench size

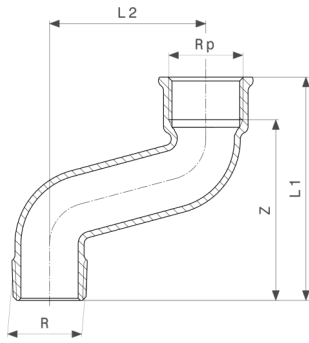


Elbow 90°
- gunmetal or silicon bronze
Model 3003

Article	R	L	WS
294 632*	1	75	36
294 656*	1¼	95	44

WS = wrench size

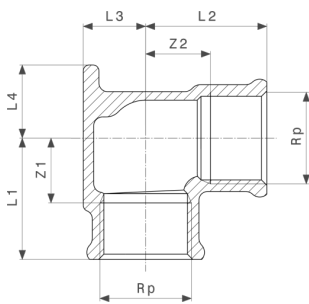
* = Discontinued, limited availability



S-elbow
- gunmetal or silicon bronze
Model 3004

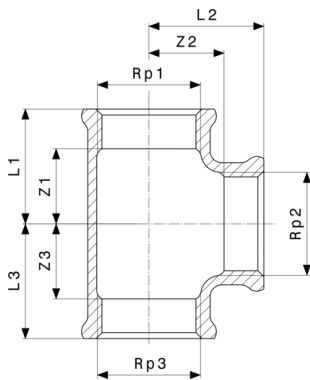
Article	R	Rp	Z	L1	L2
296 667	1	1	81	100	70
296 643*	1¼	1¼	94	115	80

* = Discontinued, limited availability



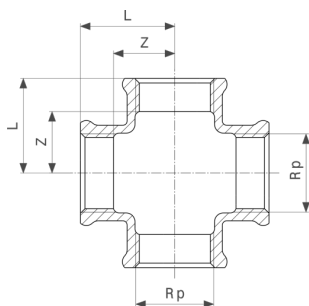
Wall plate
- gunmetal or silicon bronze
Model 3471

Article	Rp	Z1	Z2	L1	L2	L3	L4
259 778	½	21	16	36	31	14	21
441 449	¾	19	19	35	35	18	21



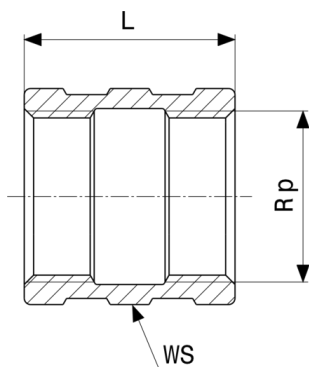
T-piece
- gunmetal or silicon bronze
Model 3130

Article	Rp1	Rp2	Rp3	Z1	Z2	Z3	L1	L2	L3
441 081	1/8	1/8	1/8	15	15	15	23	23	23
318 017	1/4	1/4	1/4	11	11	11	18	18	18
281 809	3/8	3/8	3/8	15	15	15	22	22	22
264 222	1/2	1/2	1/2	16	16	16	26	26	26
264 444	1/2	3/8	1/2	16	18	16	26	26	26
264 246	3/4	3/4	3/4	19	19	19	30	30	30
362 492	3/4	1/2	1/2	19	17	17	29	26	26
264 468	3/4	1/2	3/4	18	21	18	29	31	29
362 508	3/4	3/4	1/2	19	19	17	30	30	26
264 260	1	1	1	24	24	24	36	36	36
362 515	1	1/2	1	18	21	18	30	30	30
264 420	1	3/4	1	17	20	17	36	36	36
362 522	1	1	1/2	25	25	22	37	37	32
264 284	1 1/4	1 1/4	1 1/4	32	32	32	45	45	45
650 735	1 1/4	1/2	1 1/4	21	27	21	34	36	34
650 742	1 1/4	3/4	1 1/4	24	29	24	37	39	37
264 307	1 1/2	1 1/2	1 1/2	33	33	33	54	54	54
650 759	1 1/2	1/2	1 1/2	21	31	21	34	40	34
650 766	1 1/2	3/4	1 1/2	24	32	24	37	42	37
264 321	2	2	2	35	35	35	61	61	61
650 773	2	1	2	27	39	27	45	51	45
321 734	2 1/2	2 1/2	2 1/2	38	38	38	69	69	69
321 727	3	3	3	62	62	62	85	85	85



Cross piece
- gunmetal or silicon bronze
Model 3180

Article	Rp	Z	L
318 024	3/8	10	21
320 614	1/2	12	27
320 621	3/4	16	32
320 638	1	19	38



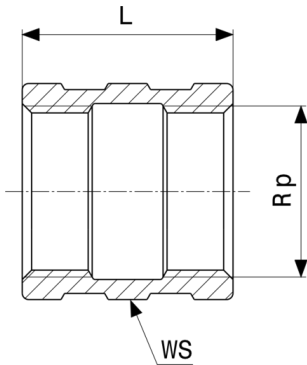
Coupling
- gunmetal or silicon bronze
Model 3270

Article	Rp	CP	L	WS
441 395	3/8		16	14
319 137	1/4		18	17
282 349	3/8		23	21
266 585	1/2		30	26
266 554	3/4		33	32
266 561	1		38	38
266 578	1 1/4		43	50
267 766	1 1/2		43	57
267 780	2		59	70
271 916	2 1/2		61	83
271 930	3		67	103

CP = chrome-plated

WS = wrench size

* = Discontinued, limited availability



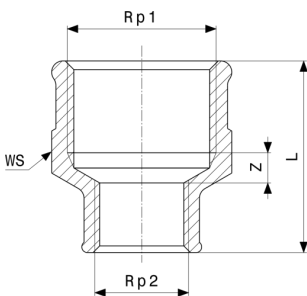
Coupling
- gunmetal or silicon bronze
Model 3270

Article	Rp	CP	L	WS
447 755	3/8	✓	23	21
447 762	1/2	✓	30	26
447 779	3/4	✓	33	32
447 786*	1	✓	38	38

CP = chrome-plated

WS = wrench size

* = Discontinued, limited availability



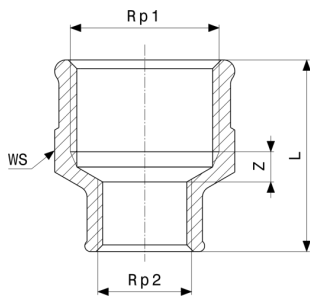
Reducing coupling
- gunmetal or silicon bronze
Model 3240

Article	Rp1	Rp2	CP	Z	L	WS
282 103	3/8	1/4		3	26	21
318 031	1/2	1/4		5	31	26
268 879	1/2	3/8		5	31	26
266 370	3/4	3/8		5	34	31
268 862	3/4	1/2		5	32	31
266 363	1	1/2		13	34	26
266 356	1	3/4		7	36	38
266 431	1 1/4	3/4		8	45	47
266 417	1 1/4	1		6	49	47
271 879	1 1/2	3/4		10	41	53

CP = chrome-plated

WS = wrench size

* = Discontinued, limited availability



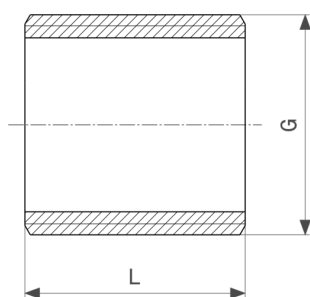
Reducing coupling
- gunmetal or silicon bronze
Model 3240

Article	Rp1	Rp2	CP	Z	L	WS
267 520	1½	1		8	48	53
266 394	1½	1¼		5	47	53
271 893	2	1¼		2	50	66
267 544	2	1½		0	47	66
271 855	2½	2		16	58	83
650 780	3	2½		27	67	
447 809*	¾	¼	✓			
447 816	½	¾	✓	4	31	26
447 823	¾	½	✓	5	32	31
447 830*	1	½	✓	13	34	26
447 847*	1	¾	✓	7	36	38

CP = chrome-plated

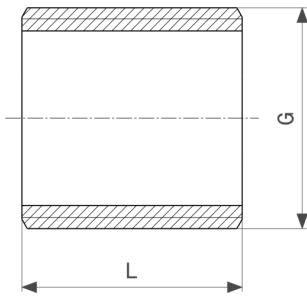
WS = wrench size

* = Discontinued, limited availability



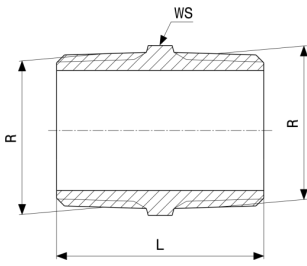
Nipple
- gunmetal or silicon bronze
Model 3531

Article	G	L
322 076	¼	20
322 113	⅜	20
322 106	½	22
322 090	¾	26
322 083	1	33
322 144	1¼	37



Nipple
- gunmetal or silicon bronze
Model 3531

Article	G	L
322 137	1½	42
322 120	2	47



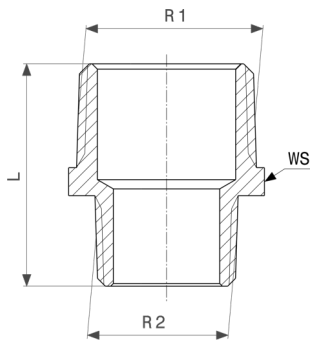
Double nipple
- gunmetal or silicon bronze
Model 3280

Article	R	CP	L	WS
441 401	⅛		18	10
320 416	¼		20	14
282 356	⅜		29	18
266 592	½		37	22
266 615	¾		40	27
266 608	1		45	34
269 135	1¼		53	44
269 111	1½		52	50
269 098	2		65	65
321 741	2½		78	80
321 789	3		85	95
447 885	¼	✓	20	14
447 892	⅜	✓	29	18
447 908	½	✓	37	22
447 915	¾	✓	40	27
447 922*	1	✓	45	34

CP = chrome-plated

WS = wrench size

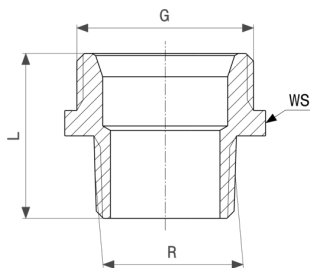
* = Discontinued, limited availability



Reducing nipple
- gunmetal or silicon bronze
Model 3245

Article	R1	R2	L	WS
441 364	¼	⅛	24	14
282 127	⅜	¼	28	18
319 526	½	¼	31	22
266 530	½	⅜	32	22
319 113	¾	⅜	34	27
266 523	¾	½	37	27
320 287	1	½	40	34
266 547	1	¾	42	34
320 119	1¼	¾	46	44
269 173	1¼	1	49	44
321 697	1½	1	52	50
269 159	1½	1¼	54	50
441 371	1¾	1½	47	55
320 270	2	1¼	58	61
321 680	2	1½	59	61
650 803	2½	2	70	76
443 177	3	2½	77	90

WS = wrench size



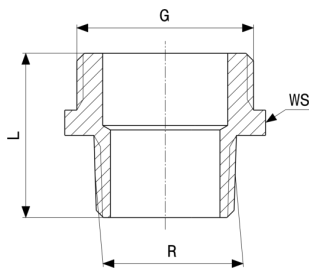
Adapter nipple
- gunmetal or silicon bronze
Model 3246

Article	R	G	CP	L	WS
441 517	3/8	1/2		25	22
449 339	1/2	1/2		30	22
441 524	1/2	3/4		21	27
449 346	3/4	3/4		33	28
446 765	1/2	1		33	34
441 531	3/4	1		35	34
446 772	1	1		39	34
446 789	1	1 1/4		39	44
446 796*	1 1/4	1 1/2		45	50
446 802*	1 1/2	1 3/4		47	55
441 388*	2	2 3/8		54	71
448 219	3/8	1/2	✓	25	22
448 226	1/2	3/4	✓	21	27
448 233*	1/2	1	✓	33	34
448 257*	1	1 1/4	✓	39	44

CP = chrome-plated

WS = wrench size

* = Discontinued, limited availability



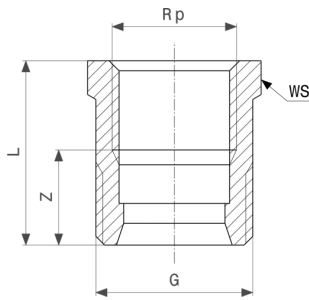
Adapter nipple
- gunmetal or silicon bronze
Model 3247

Article	R	G	CP	L	WS
458 775	1/8	1/4		20	14
458 782	1/4	3/8		24	18
458 799	1/4	1/2		25	22
458 805	3/8	1/2		24	27
458 812	3/8	3/4		28	27
446 833	1/2	3/4		31	27
458 829	1/2	1		30	34
446 840	3/4	1		35	34
458 836	3/4	1 1/4		37	44
446 857	1	1 1/4		36	44
458 843	1	1 1/2		43	50
446 864	1 1/4	1 1/2		45	50
458 850	1 1/2	2		48	68
458 867*	1/4	3/8	✓		
458 874	3/8	1/2	✓	24	18
458 881	3/8	3/4	✓	28	27
448 189	1/2	3/4	✓	31	27
448 196	3/4	1	✓	35	34

CP = chrome-plated

WS = wrench size

* = Discontinued, limited availability



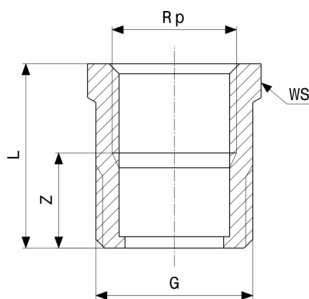
Adapter nipple
- gunmetal or silicon bronze
Model 3243

Article	G	Rp	WIC	Z	L	WS
441 487	3/8	1/4	✓	11	22	18
446 666	1/2	3/8	✓	12	23	22
441 494	3/4	1/2	✓	16	31	27
446 673	1	3/4	✓	16	33	34
449 315*	1	1	✓	21	41	40
446 680	1 1/4	1	✓	15	34	43
446 697*	1 1/2	1 1/4	✓	18	39	50

WIC = with internal cone

WS = wrench size

* = Discontinued, limited availability

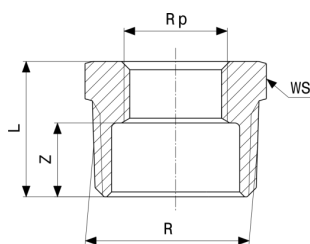


Adapter nipple
- gunmetal or silicon bronze
Model 3244

Article	G	Rp	CP	Z	L	WS
446 734	3/4	1/2		14	29	27
446 741	1	3/4		16	33	34
446 758	1 1/4	1		15	34	43
448 264	3/4	1/2	✓	14	29	27

CP = chrome-plated

WS = wrench size



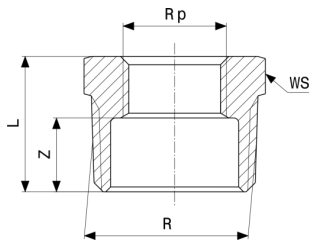
Reducer
- gunmetal or silicon bronze
Model 3241

Article	R	Rp	CP	Z	L	WS
441 104	¼	⅛		9	17	14
441 111	⅜	⅛		10	17	18
281 823	⅜	¼		6	17	18
441 098	½	⅛		14	21	22
319 076	½	¼		11	22	22
266 516	½	⅜		10	22	22
320 409	¾	¼		12	23	27
266 509	¾	⅜		12	23	27
266 493	¾	½		8	23	27
266 455	1	⅜		16	27	34
266 486	1	½		13	28	34
266 479	1	¾		11	28	34
267 582	1¼	½		16	31	43
267 568	1¼	¾		15	31	44
266 462	1¼	1		12	31	44
267 742	1½	½		17	32	50
267 728	1½	¾		15	31	50
267 605	1½	1		12	31	50
267 704	1½	1¼		10	31	50
317 089	2	½		21	36	62
267 681	2	¾		20	36	62
267 667	2	1		18	37	61
267 643	2	1¼		15	37	61
267 629	2	1½		15	37	61
321 772	2½	1		26	45	80
321 765	2½	1¼		20	41	78
321 864	2½	1½		20	41	78
322 533	2½	2		16	41	78

CP = chrome-plated

WS = wrench size

* = Discontinued, limited availability



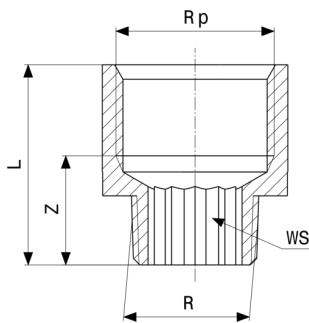
Reducer
- gunmetal or silicon bronze
Model 3241

Article	R	Rp	CP	Z	L	WS
321 840	3	1½		31	52	60
321 857	3	2		28	54	72
321 871	3	2½		20	50	95
321 888	4	3		23	56	13
447 946*	¼	⅛	✓	10	17	14
447 953*	⅜	⅛	✓	10	17	18
447 960	⅜	¼	✓	10	17	18
447 977*	½	⅛	✓	13	22	22
447 984	½	¼	✓	13	22	22
447 991	½	⅜	✓	13	22	22
448 011	¾	⅜	✓	15	23	27
448 028	¾	½	✓	15	23	27
448 042*	1	½	✓	17	28	34
448 059	1	¾	✓	17	28	34
448 073*	1¼	1	✓	19	31	44

CP = chrome-plated

WS = wrench size

* = Discontinued, limited availability



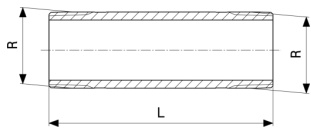
Reducer
- gunmetal or silicon bronze
Model 3242

Article	R	Rp	CP	Z	L	WS
441 128	1/8	1/4		14	25	6
441 135	1/8	3/8		15	26	6
322 540	1/4	3/8		15	27	
322 564	3/8	1/2		17	32	10
322 557	3/8	3/4		19	35	10
319 083	1/2	3/8		17	28	10
320 423	1/2	3/4		21	37	12
320 430	1/2	1		19	39	
650 889	1/2	1 1/4		31	52	
441 142	3/4	1/2		25	40	
335 311	3/4	1		23	42	
441 357	3/4	1 1/4		31	52	
650 841*	3/4	1 1/2		32	53	
359 348	1	1 1/4		27	48	
650 858	1	1 1/2		33	54	
650 872	1	2		34	60	
650 865	1 1/4	1 1/2		33	54	
448 097*	1/8	1/4	✓	14	25	6
448 103*	1/8	3/8	✓	15	26	6
448 110*	1/4	3/8	✓	15	27	
448 127	3/8	1/2	✓	17	32	10
448 134*	3/8	3/4	✓	19	35	10
448 141	1/2	3/8	✓	17	28	10
448 158	1/2	3/4	✓	21	37	12
448 165*	3/4	1/2	✓	25	40	
448 172	3/4	1	✓	23	42	

CP = chrome-plated

WS = wrench size

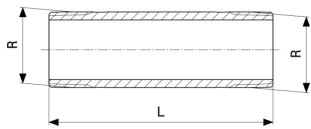
* = Discontinued, limited availability



Long nipple
- gunmetal or silicon bronze
Model 3530

Article	R	L
441 456	¼	40
441 463	¼	60
441 470	¼	80
441 555	¼	100
282 400	⅜	40
282 417	⅜	60
282 424	⅜	80
282 431	⅜	100
282 448	⅜	120
282 455*	⅜	150
282 462*	⅜	200
267 308	½	40
650 896	½	50
267 315	½	60
449 216	½	70
267 322	½	80
650 919	½	90
267 339	½	100
650 926	½	110
267 346	½	120
319 700	½	140
267 353	½	150
319 717	½	160
319 724	½	180
267 377	½	200
267 384	¾	40
650 933	¾	50
267 391	¾	60
650 940	¾	70
267 407	¾	80
650 957	¾	90

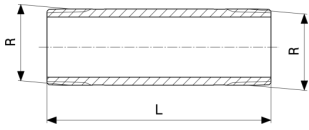
* = Discontinued, limited availability



Long nipple
- gunmetal or silicon bronze
Model 3530

Article	R	L
267 414	¾	100
650 964	¾	110
267 421	¾	120
318 413	¾	140
267 438	¾	150
318 420	¾	160
318 437	¾	180
267 445	¾	200
267 247	1	40
650 971	1	50
267 254	1	60
650 988	1	70
267 261	1	80
650 995	1	90
267 278	1	100
651 008	1	110
267 285	1	120
267 292	1	150
319 694	1	200
651 015	1¼	50
318 482	1¼	60
651 022*	1¼	70
318 499	1¼	80
651 039*	1¼	90
318 505	1¼	100
651 046*	1¼	110
318 512	1¼	120
318 529	1¼	150
318 536	1¼	200
651 053	1½	50
319 755	1½	60

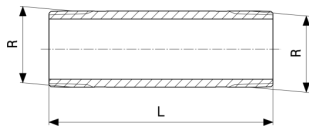
* = Discontinued, limited availability



Long nipple
- gunmetal or silicon bronze
Model 3530

Article	R	L
651 060*	1½	70
319 762	1½	80
651 077*	1½	90
319 779	1½	100
319 786	1½	120
319 748	1½	150
319 731	1½	200
651 084	2	50
319 847	2	60
651 091*	2	70
319 830	2	80
651 107*	2	90
319 823	2	100
319 816	2	120
319 809	2	150
319 793	2	200
447 465*	¾	40
447 472*	¾	60
447 489*	¾	80
447 496*	¾	100
447 526	½	40
447 533	½	60
447 540	½	80
447 557	½	100
447 564*	½	120
447 571*	½	150
447 588*	½	200
447 595	¾	40
447 601	¾	60
447 618	¾	80
447 625	¾	100

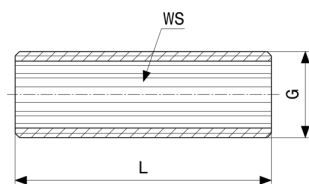
* = Discontinued, limited availability



Long nipple
- gunmetal or silicon bronze
Model 3530

Article	R	L
447 632*	¾	120
447 649*	¾	150
447 656*	¾	200
447 663*	1	40
447 687*	1	80
447 694*	1	100
447 700*	1	120

* = Discontinued, limited availability

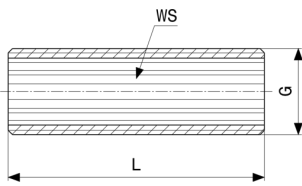


Long nipple
- gunmetal or silicon bronze
Model 3535

Article	G	L	WS
319 670	¾	40	10
319 267	¾	60	10
319 335	¾	80	10
319 281	¾	100	10
319 687*	¾	120	10
319 274	½	40	12
319 366	½	60	12
319 359	½	80	12
319 342	½	100	12
319 656*	½	120	12
319 328	¾	40	17
319 298	¾	60	17
319 304	¾	80	17
319 311	¾	100	17
319 663*	¾	120	17

WS = wrench size

* = Discontinued, limited availability

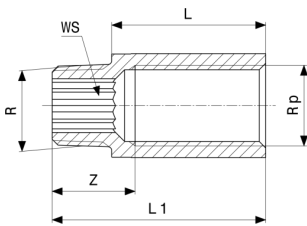


Long nipple
- gunmetal or silicon bronze
Model 3535

Article	G	L	WS
319 250	1	40	22
319 243	1	60	22
319 236	1	80	22
319 229	1	100	22
319 649*	1	120	22

WS = wrench size

* = Discontinued, limited availability



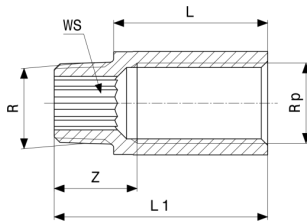
Extension
- gunmetal or silicon bronze
Model 3525

Article	R	Rp	L	RpS	Z	L1	WS
440 312¹	3/8	3/8	10		16	22	10
354 923	3/8	3/8	15		16	27	10
354 930	3/8	3/8	20		18	32	10
354 947	3/8	3/8	25		18	37	10
354 954	3/8	3/8	30		18	42	10
359 539	3/8	3/8	40		17	52	10
359 553	3/8	3/8	50	✓	17	62	10
364 854¹	1/2	1/2	12.5		19	28	12
651 121¹	1/2	1/2	15		19	31	12
354 961	1/2	1/2	17.5		18	33	12
354 978	1/2	1/2	20		21	36	12
354 985	1/2	1/2	25		22	41	12
354 992	1/2	1/2	30		22	46	12
355 005	1/2	1/2	40		22	56	12

RpS = Rp-thread can be shortened

WS = wrench size

¹⁾ without DVGW test mark



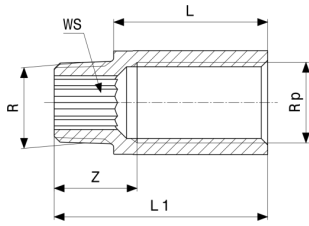
Extension
- gunmetal or silicon bronze
Model 3525

Article	R	Rp	L	RpS	Z	L1	WS
355 012	½	½	50	✓	21	66	12
357 221	½	½	65	✓	21	81	12
357 238	½	½	80	✓	29	96	12
357 245	½	½	100	✓	61	116	12
440 299	½	½	120		71	136	12
440 305	½	½	150		101	166	12
440 558 ¹	¾	¾	12.5		21	30	17
364 861 ¹	¾	¾	15		20	32	17
355 029	¾	¾	20		21	37	17
355 036	¾	¾	25		26	42	17
355 043	¾	¾	30		23	47	17
355 050	¾	¾	40		23	57	17
357 252	¾	¾	50	✓	22	67	17
357 269	¾	¾	65	✓	22	82	17
359 584	¾	¾	80	✓	37	97	17
359 577	¾	¾	100	✓	62	117	17
440 572 ¹	1	1	15		25	35	22
440 589 ¹	1	1	20		25	40	22
357 184	1	1	25		25	45	22
357 191	1	1	30		30	50	22
357 207	1	1	40		23	60	22
357 214	1	1	50		25	70	22
440 596	1	1	65		25	85	22
440 466	1	1	80		40	100	22
440 473	1	1	100		55	120	22
440 497 ¹	1¼	1¼	20		27	42	27
440 503	1¼	1¼	25		27	47	27
440 510	1¼	1¼	30		27	52	27

RpS = Rp-thread can be shortened

WS = wrench size

¹⁾ without DVGW test mark



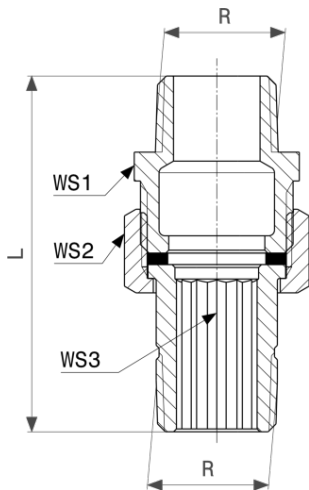
Extension
 - gunmetal or silicon bronze
Model 3525

Article	R	Rp	L	RpS	Z	L1	WS
440 527	1¼	1¼	40		41	62	27
440 534	1¼	1¼	50		51	72	27

RpS = Rp-thread can be shortened

WS = wrench size

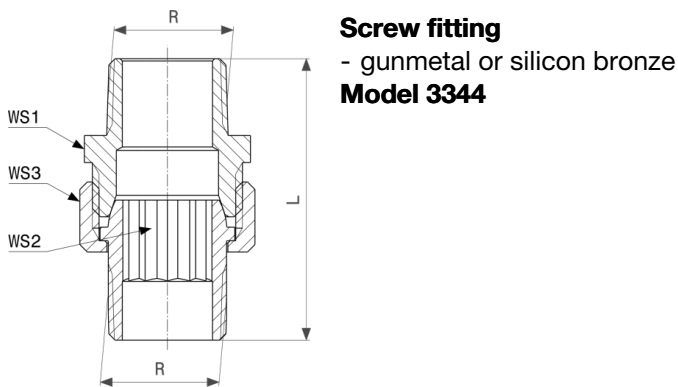
1) without DVGW test mark



Screw fitting
 - gunmetal or silicon bronze
Model 3334

Article	R	L	WS1	WS2	WS3
320 188	¾	51	27	23	
320 195	½	62	27	29	12
320 201	¾	68	34	36	17
320 218	1	74	44	46	22

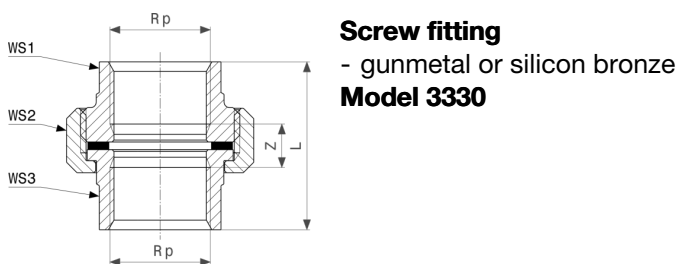
WS = wrench size



Article	R	L	WS1	WS2	WS3
446 871*	3/8	46	22	23	8
446 888	1/2	55	27	29	12
446 895	3/4	62	34	36	17
446 901	1	69	44	46	22

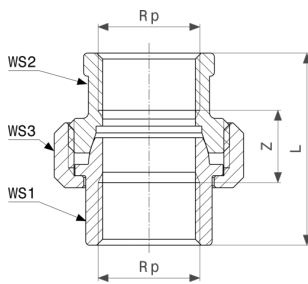
WS = wrench size

* = Discontinued, limited availability



Article	Rp	Z	L	WS1	WS2	WS3
441 432	1/4	13	35	20	29	20
282 363	3/8	12	35	20	29	21
271 022	1/2	11	41	25	36	25
271 039	3/4	11	44	32	46	32
271 046	1	13	51	39	52	39
271 053	1 1/4	13	56	48	65	47
271 060	1 1/2	15	58	53	75	55
271 077	2	13	64	66	80	66
651 138	2 1/2	11	71	83	110	83
651 145	3	5	71	98	130	98

WS = wrench size

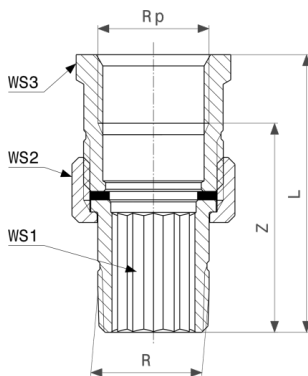


Screw fitting
- gunmetal or silicon bronze
Model 3340

Article	Rp	Z	L	WS1	WS2	WS3
449 414*	¼	16	38			23
446 925*	⅜	17	40			29
446 932	½	17	47			36
446 949	¾	17	50			46
446 956	1	21	60	37	37	52
446 963	1¼	22	65	47	47	65
446 970	1½	25	68	55	55	75
446 987	2	23	74	66	68	80

WS = wrench size

* = Discontinued, limited availability

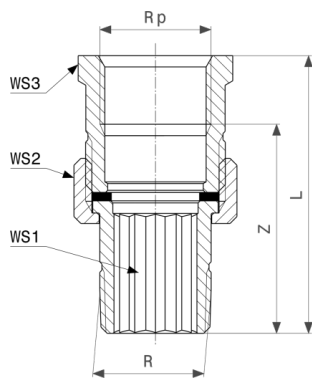


Screw fitting
- gunmetal or silicon bronze
Model 3331

Article	R	Rp	Z	L	WS1	WS2	WS3
282 370	⅜	⅜	38	50	13	23	22
271 374	½	½	45	60	12	29	27
271 367	¾	¾	50	66	17	36	34
271 350	1	1	52	72	22	46	44
271 343	1¼	1¼	60	81	38	52	50
271 336	1½	1½	62	84	43	59	56
271 329	2	2	58	84	58	75	67

WS = wrench size

* = Discontinued, limited availability

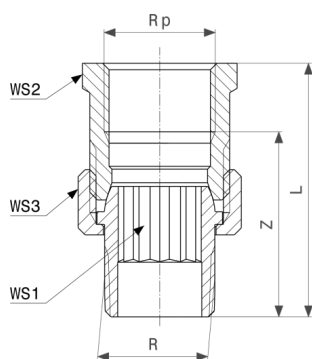


Screw fitting
- gunmetal or silicon bronze
Model 3331

Article	R	Rp	Z	L	WS1	WS2	WS3
651 152	2½	2½	66	88	83	95	71
651 169*	3	3	80	101	83	110	97

WS = wrench size

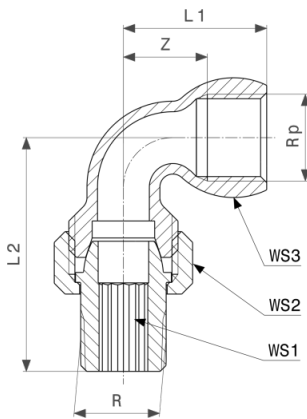
* = Discontinued, limited availability



Screw fitting
- gunmetal or silicon bronze
Model 3341

Article	R	Rp	Z	L	WS1	WS2	WS3
446 994	⅜	⅜	33	45	8	22	23
447 007	½	½	41	56	12	27	29
447 014	¾	¾	44	60	17	34	36
447 021	1	1	45	64	22	44	46
447 038	1¼	1¼	51	72		50	52
447 045	1½	1½	52	73		55	59
447 052	2	2	53	78		70	75

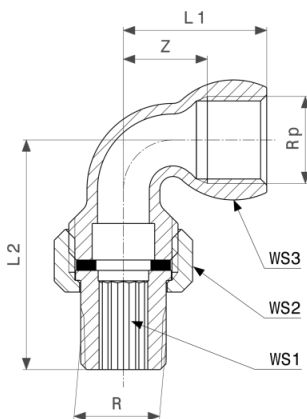
WS = wrench size



Screw fitting
- gunmetal or silicon bronze
Model 3098

Article	R	Rp	Z	L1	L2	WS1	WS2	WS3
148 041	3/8	3/8	16	28	45	8	23	22
145 804	1/2	1/2	18	33	51	12	29	28

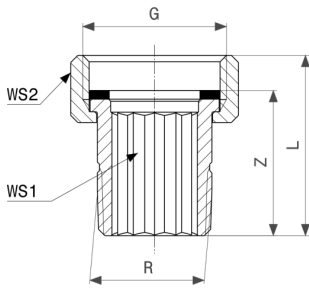
WS = wrench size



Screw fitting
- gunmetal or silicon bronze
Model 3088

Article	R	Rp	Z	L1	L2	WS1	WS2	WS3
348 663	1/2	1/2	17	28	58	12	28	29
348 670	3/4	3/4	23	39	65	17	33	36
348 687	1	1	28	47	78	22	39	46
348 694	1 1/4	1 1/4	35	57	83	38	47	52
348 700	1 1/2	1 1/2	38	59	95	43	55	59
348 717	2	2	43	69	112	58	69	75

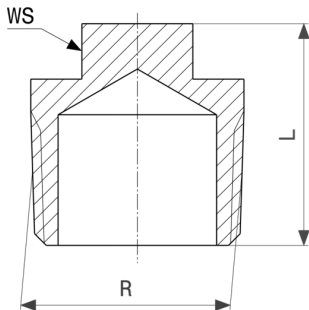
WS = wrench size



Connection screw fitting
- gunmetal or silicon bronze
Model 3335

Article	R	Z	L	WS1	WS2	G
320 225	3/8	27	32	8	23	1/2
320 232	1/2	31	39	22	29	3/4
320 249	3/4	34	42	17	36	1
320 256	1	38	46	22	46	1 1/4
319 618	1 1/4	43	52	38	52	1 1/2
319 625	1 1/2	46	56	43	59	1 3/4
319 632	2	52	62	58	75	2 3/8

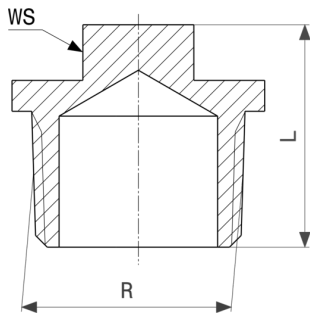
WS = wrench size



Plug
- gunmetal or silicon bronze
Model 3291

Article	R	L	WS
320 072	1/4	19	8
281 847	3/8	20	10
266 646	1/2	26	12
266 639	3/4	28	14
266 622	1	32	14
268 237	1 1/4	38	21
268 190	1 1/2	38	22
268 213	2	42	26
321 758	2 1/2	47	30

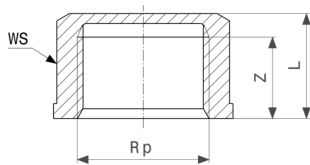
WS = wrench size



Plug
- gunmetal or silicon bronze
Model 3290

Article	R	L	WS
441 425	1/8	17	8
320 133	1/4	20	8
320 096	3/8	20	10
320 102	1/2	24	12
320 089	3/4	26	14
320 294	1	32	14
322 175	1 1/4	38	21
322 168	1 1/2	38	32
322 151	2	42	26

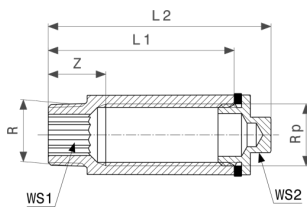
WS = wrench size



Cap
- gunmetal or silicon bronze
Model 3301

Article	Rp	Z	L	WS
319 151	1/4	8	12	20
281 854	3/8	11	16	22
266 660	1/2	15	20	24
266 653	3/4	16	21	30
268 367	1	19	29	38
268 305	1 1/4	21	30	47
268 329	1 1/2	21	30	53
268 343	2	26	34	65

WS = wrench size

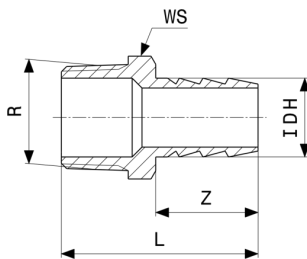


Tap extension
- gunmetal or silicon bronze
Model 3527

Article	R	Rp	L	RpS	Z	L1	L2	WS1	WS2
320 263	½	½	50	✓	18	63	76	12	12

RpS = Rp-thread can be shortened

WS = wrench size



Hose connector
- brass
Model 1845

Article	R	IDH	L1	L2	L3	[column name missing for ZM-000102]	WS
140 540*	¼	¼	35	8	25	8	
131 067¹	⅜	⅜	37	12	21	12	17
120 702¹	½	½	47	16	25	14	22
137 212¹	¾	¾	50	17	26	20	27
112 097	⅝	⅝	35	8	21	8	
110 598	¼	¼	35	8	25	8	
105 112¹	⅜	⅜	37	12	21	12	17
101 442	½	½	47	16	25	14	22
102 548¹	¾	¾	50	17	26	20	27
104 467¹	1	1	57	20	30	27	34

IDH = for ID hose

WS = wrench size

¹) with polygon

* = Discontinued, limited availability

Imprint

Viega GmbH & Co. KG

Viega Platz 1
57439 Attendorn
Germany
Phone: +49/2722/61-0
Fax: +49/2722/61-1566

The Viega GmbH & Co. KG is represented by the general partners: Viega Management B.V. (Managing directors: Michael Klenz, Sebastian Leigemann) and Viega Management GmbH (Managing directors: Michael Klenz, Sebastian Leigemann)

The Submittal Package contains non-binding information that is being provided to you. All contents in the Submittal Package have been compiled with the greatest possible care and attention. Despite this, we are unable to guarantee that the information is up to date, accurate and complete. Placing an order does not automatically render the Submittal Package part of the contract.